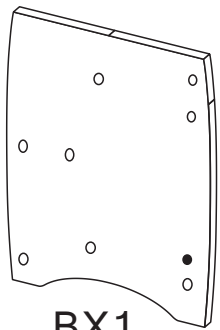
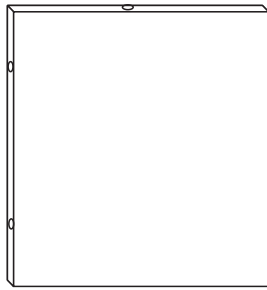


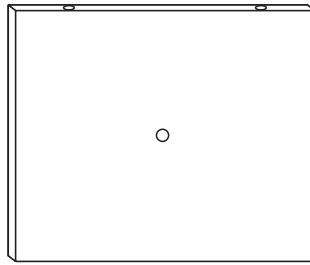
AX1



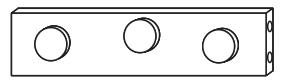
BX1



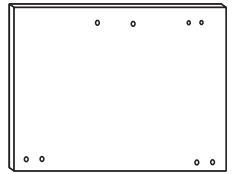
CX1



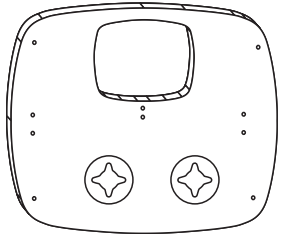
DX1



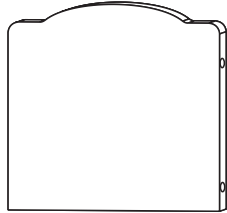
EX1



FX1



GX1



HX1



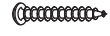
IX1



JX2



KX1



Mx33



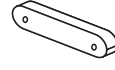
OX8



QX2



LX1



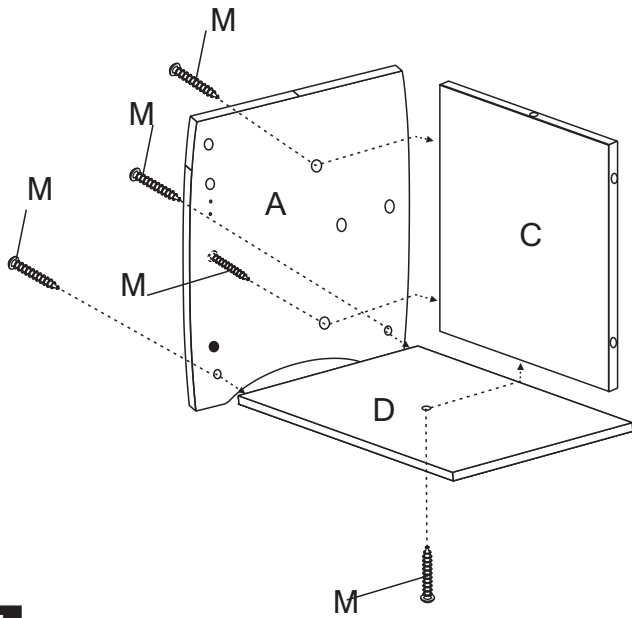
NX1



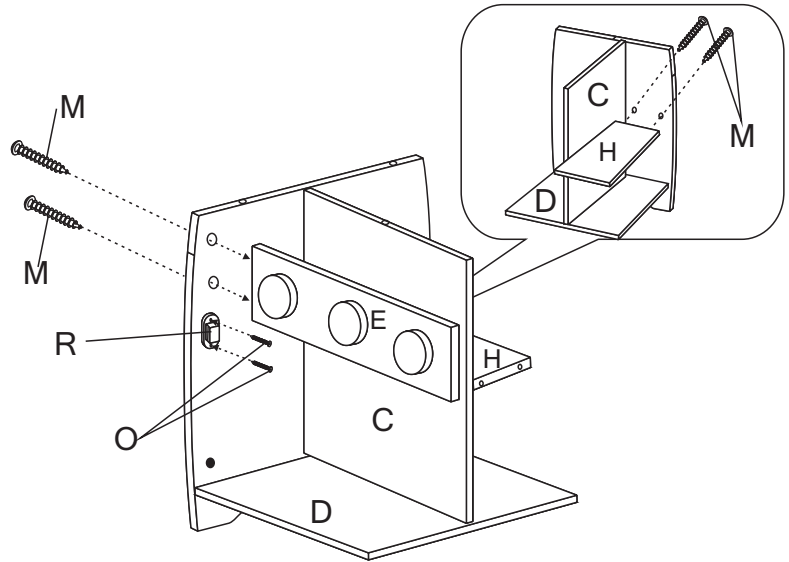
PX1



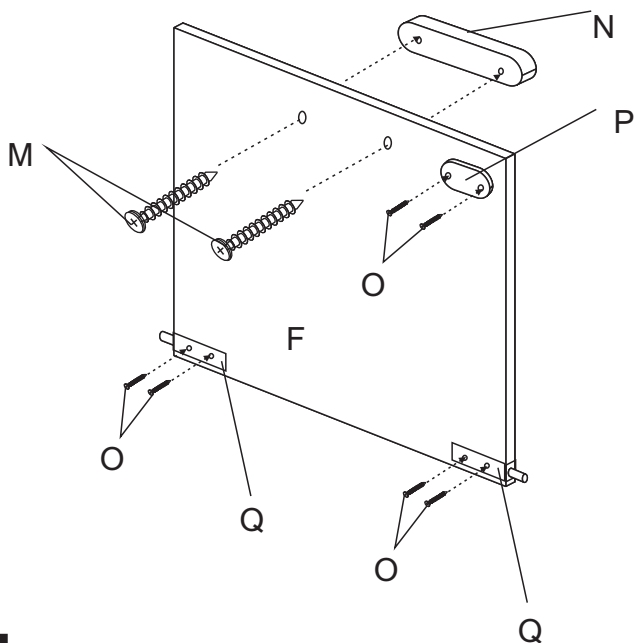
RX1



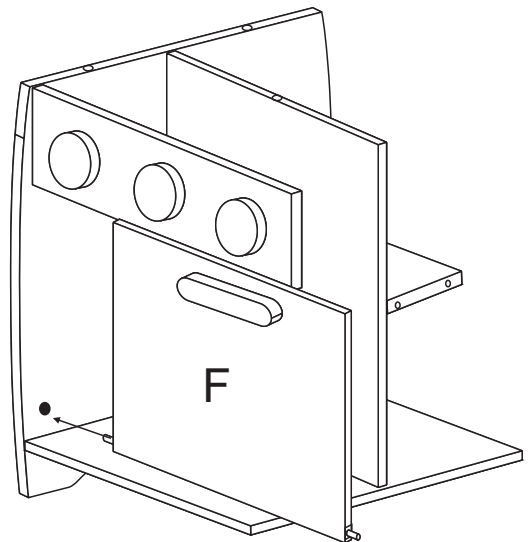
1



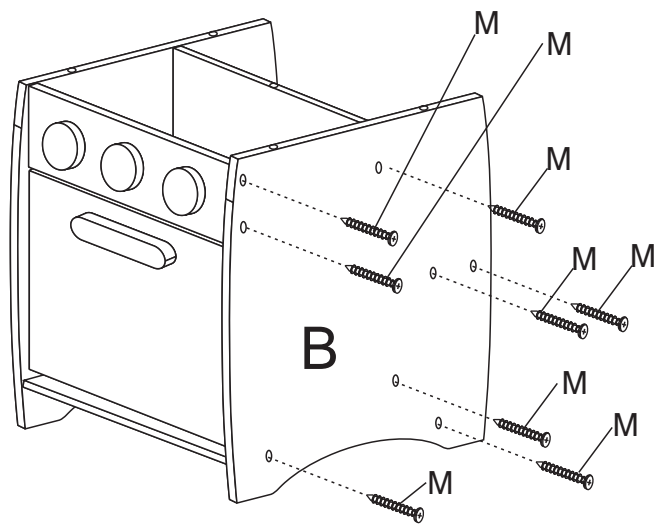
2



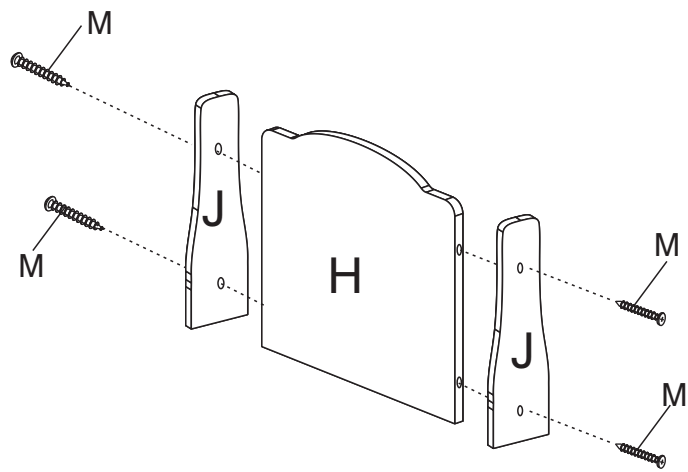
3



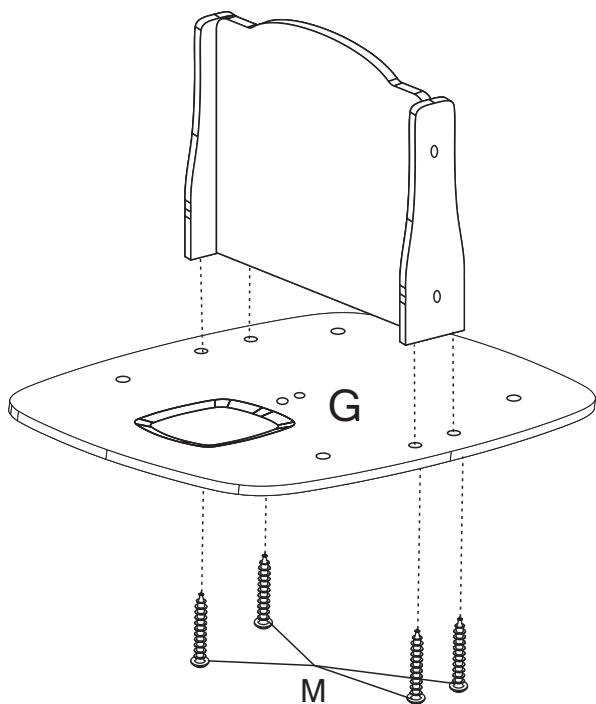
4



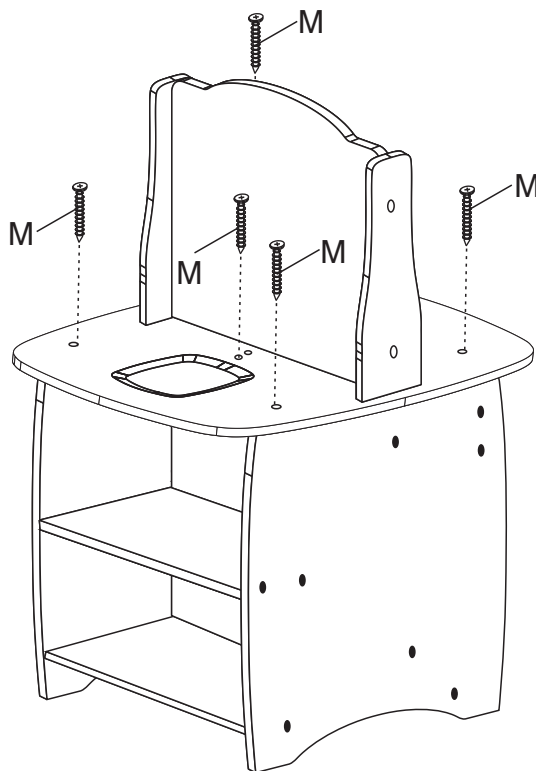
5



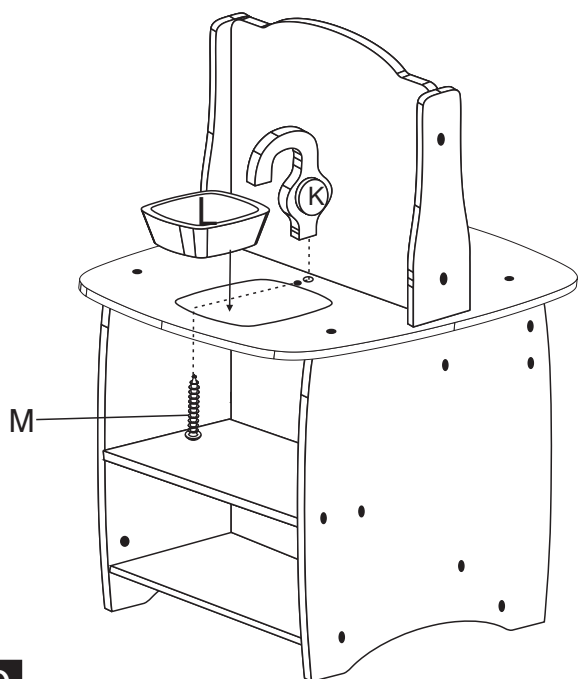
6



7



8



9

