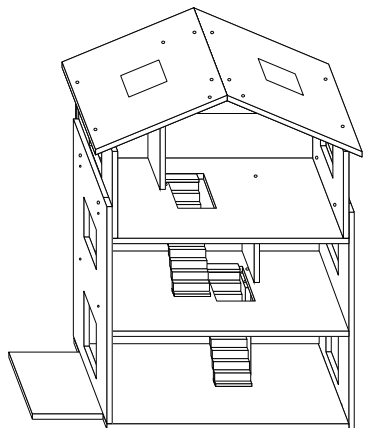




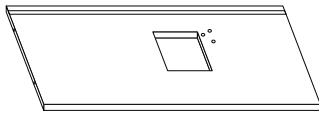
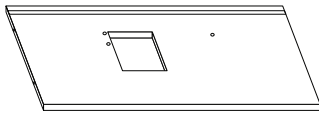
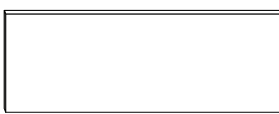
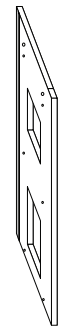

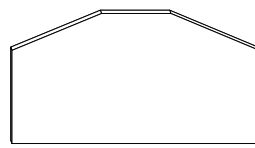
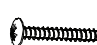
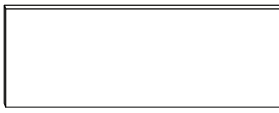
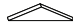
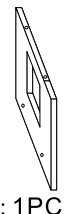
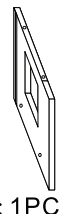

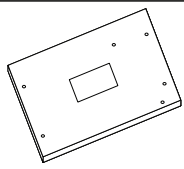
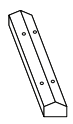
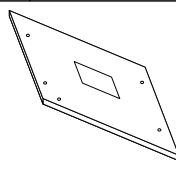
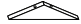



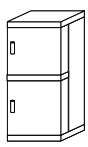
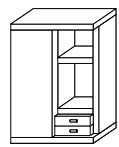
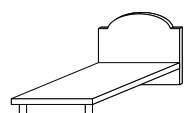




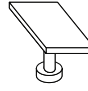


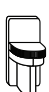
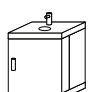
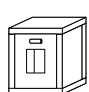

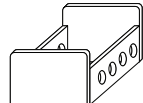
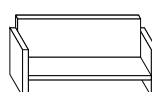
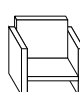
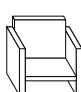


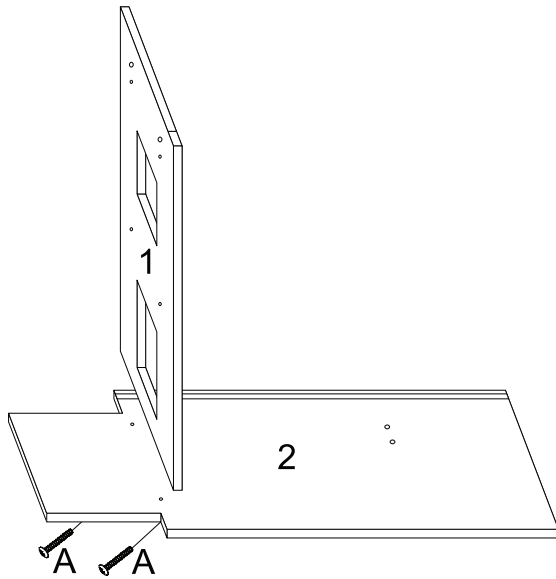
## RETAIN THESE INSTRUCTIONS FOR FUTURE REFERENCES.

PART LIST AND HARDWARE					
 1: 1PC	 2: 1PC	 4: 1PC	 5: 1PC		
	 3: 1PC	 6: 1PC			
 7: 1PC	 9: 1PC	 10: 1PC	 12: 1PC	 4X40mm A: 22PCS	
 8: 1PC		 11: 1PC	 13: 1PC	 14: 1PC	 6X10mm B: 4PCS
 15: 1PC	 16: 1PC	 17: 1PC	 18: 1PC	 5X30mm C: 8PCS	
			 20: 2PCS	 4X16mm D: 6PCS	

18 WOOD FURNITURE ACCESSORIES									
									
									

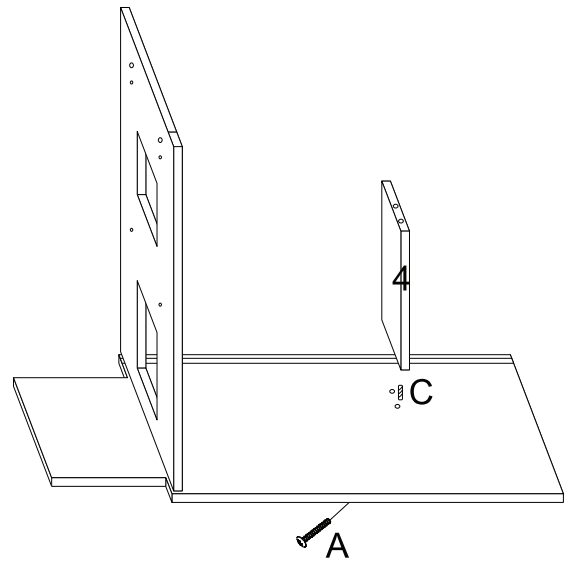
TOOLS REQUIRED
1. Phillips Head Screw Driver (not supplied) 

### Step ①



Use A screw to lock No.2 panel on No.1 panel.

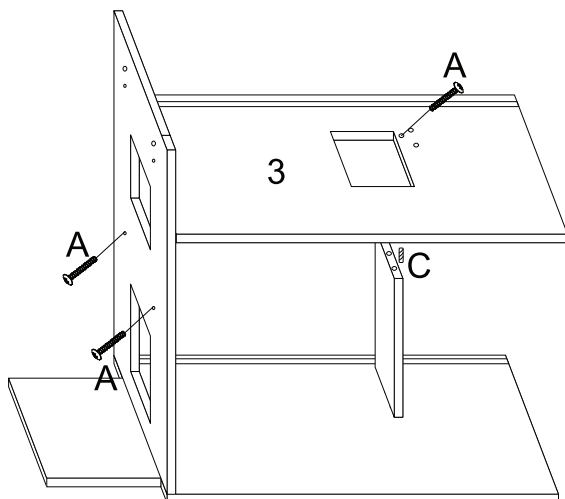
### Step ②



Insert C (wooden dowel) in No.4 panel bottom, join it to No.2 panel, use A screw to No.4 panel on No.2 panel.

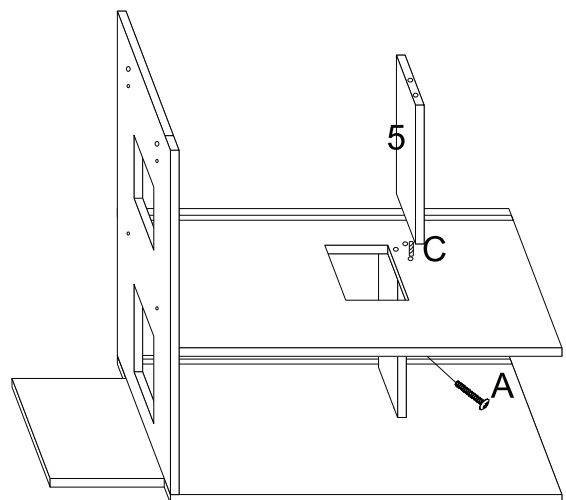
There will usually be 2 holes for screw/dowel assembly - one hole for screw/one hole for dowel **Please note - the holes for the dowels may appear too small - please gently push the dowel into the relevant hole to break the paper covering.**

### Step ③



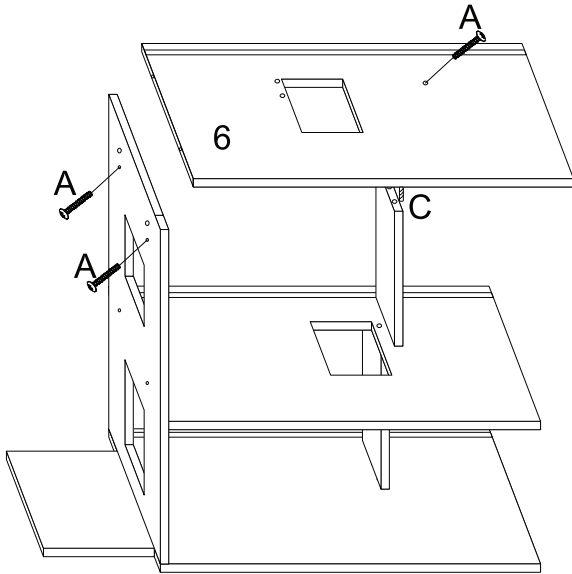
Insert C(wooden dowel) in No.4 panel top, joint it to No.3 panel, use A screw to lock No.3 panel on No.1 and 4 panel.

### Step ④



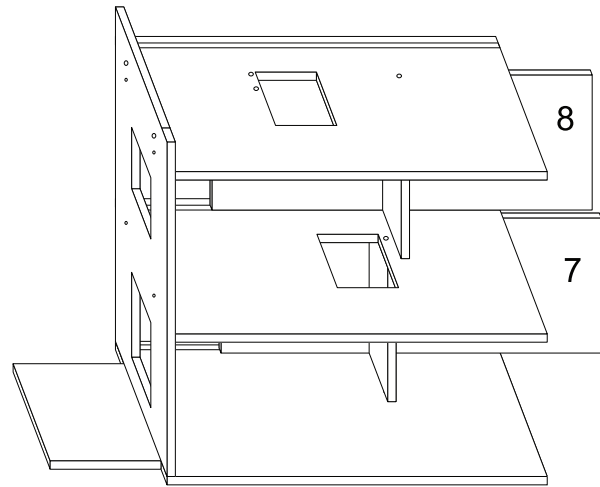
Insert C(wooden dowel) in No.5 panel bottom, joint it to No.3 panel, use A screw to lock No.5 panel on No.3 panel.

**Step 5**



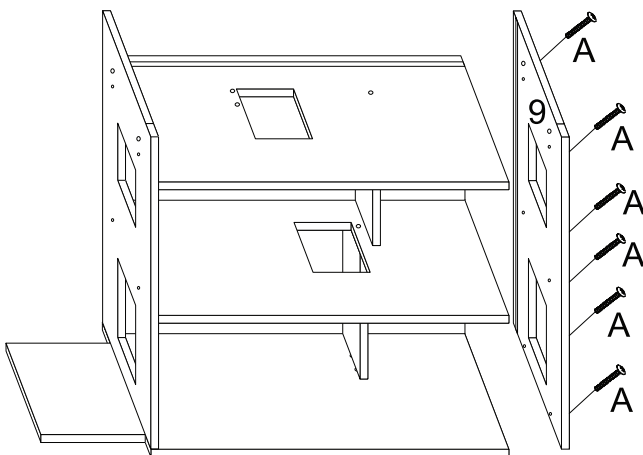
Insert C(wooden dowel) in No.5 panel top, joint it to No.6 panel, use A screw to lock No.6 panel on No.1 and 5 panel.

**Step 6**



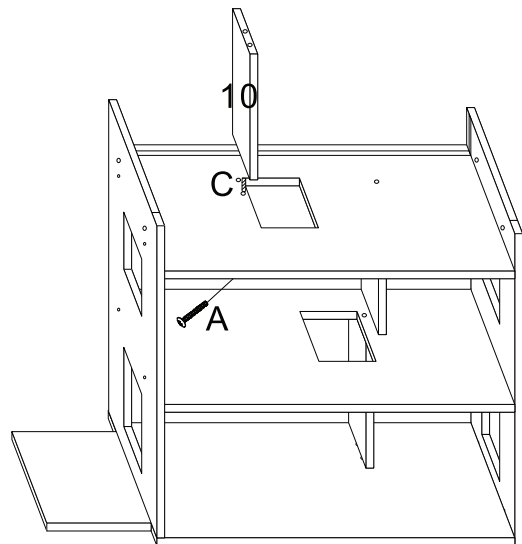
Insert No.7 and 8 panel in backside groove.

**Step 7**



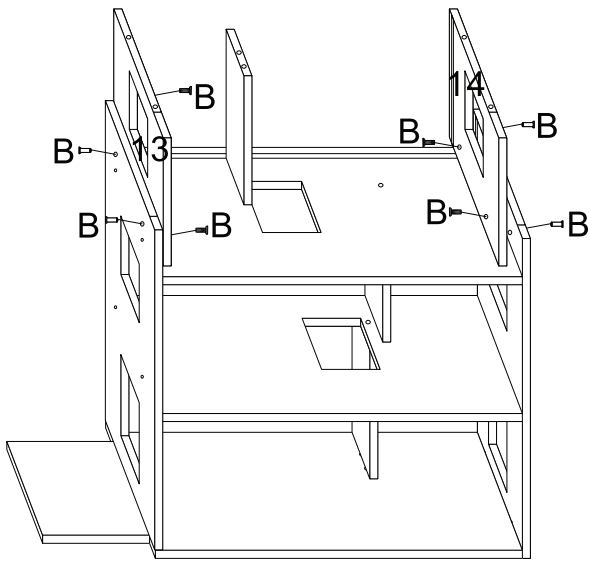
Use A screw to lock No.9 panel, on leftside all boards.

**Step 8**



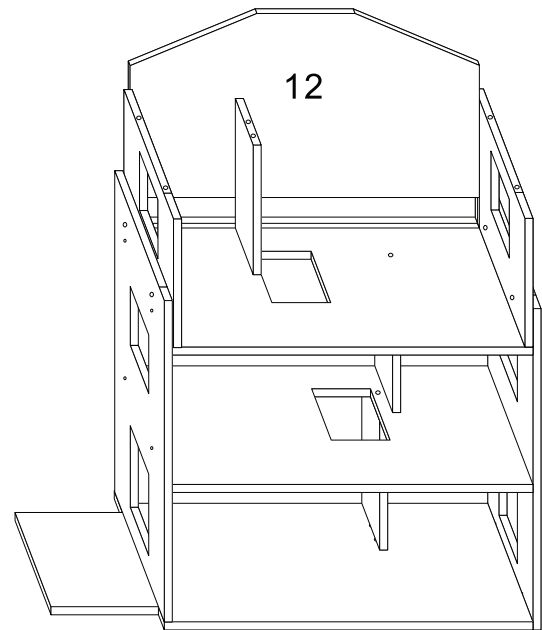
Insert C(woode dowel) in No.10 panel bottom, joint it to No.6 panel, use A screw to lock No.10 panel on No.6 panel.

**Step 9**



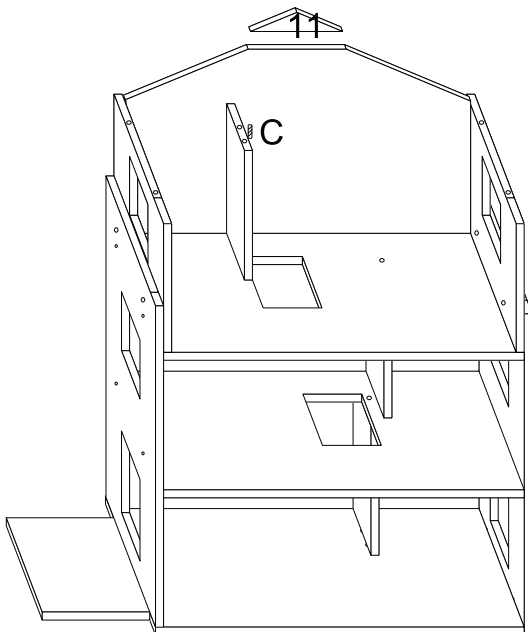
Insert B(female) in No.13 and 14 panel, use B(male) to across No.1 and 9 panel, to lock No.13 and 14 panel.

**Step 10**



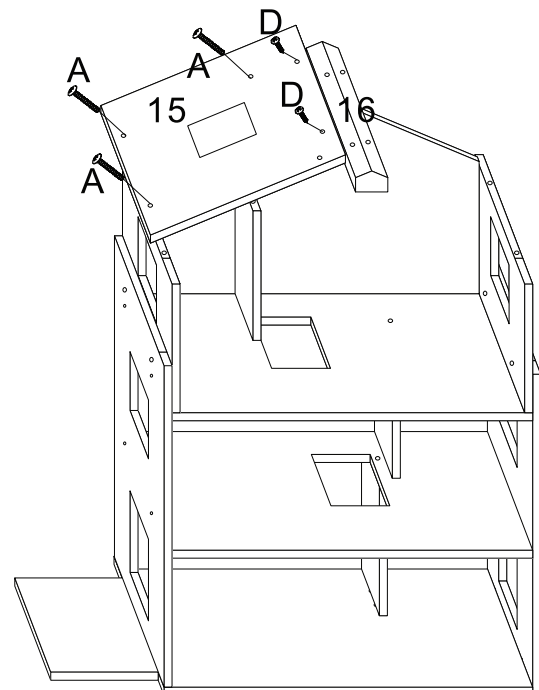
Insert No.12 panel in top backside groove.

**Step 11**



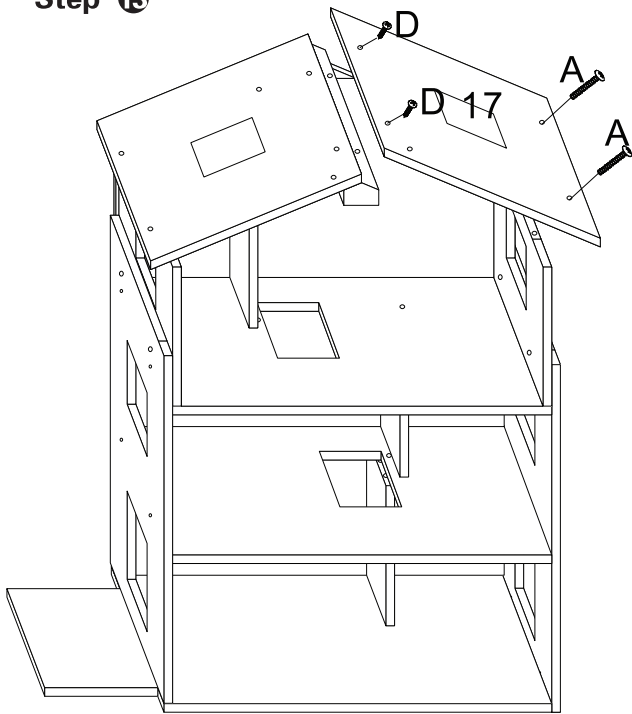
Insert C(wooden dowel) in No.10 panel top, put No.11 panel on No.12 panel top.

**Step 12**



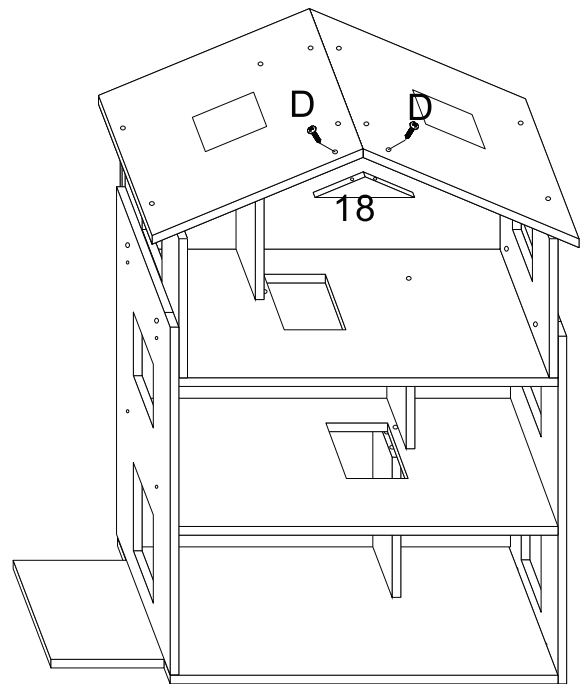
Put No.16 panel on No.11 panel, then use D screw to lock No.16 panel on No.15 panel, joint No.10 panel to No.15 panel, use A screw to lock No.15 panel on No.10 and 13 panel.

**Step 13**



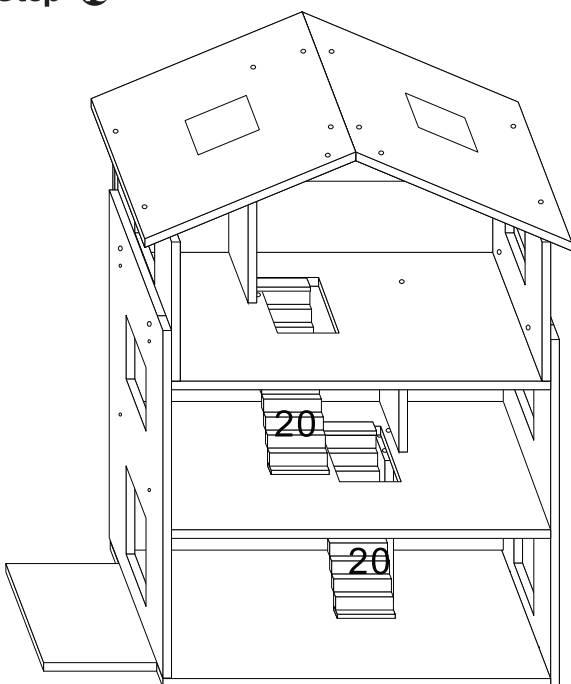
Use D screw to lock No.17 panel on No.16 panel, use A screw to lock No.17 panel on No.14 panel.

**Step 14**



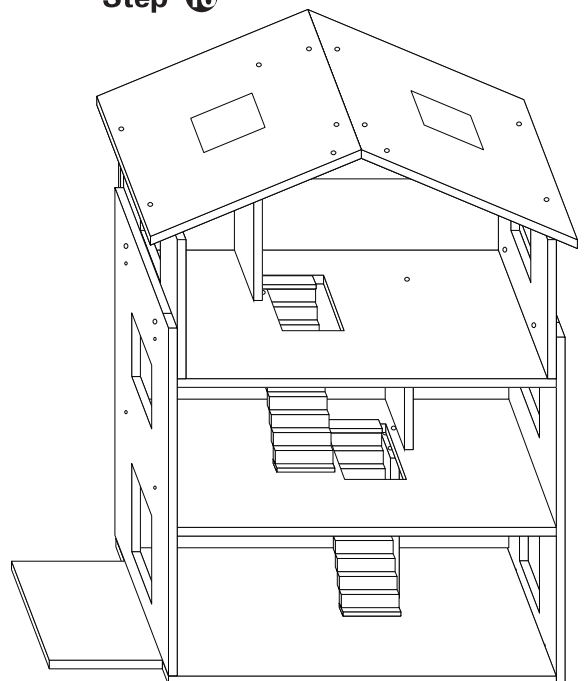
Use D screw to lock No.18 panel on No.15 and 17 panel.

**Step 15**



Put No.20(downstair) 2pcs.

**Step 16**



Finish the product assembly.  
Attention: according to your taste,  
put all furnitures in doll house.

## CARE/CLEANING INSTRUCTIONS

- Wipe furniture with a soft dry cloth, do not use paper as this may be abrasive to the finish.
- The dolls house should be cleaned with a damp cloth and dried with a dry cloth.
- **DO NOT** use bleach or chemical solutions to clean the product.
- **DO NOT** expose to sunlight or other heat sources for a prolonged period.
- **DO NOT** store or leave outside.

## WARNINGS

1. **WARNING: DO NOT** use this product if any part is broken, torn or missing. Please contact your supplier and spare parts can be supplied – please use only parts approved by the manufacturer.
2. Please keep children away from the work area during assembly of this product – due to possible risk of injury.
3. Once assembled, this product is **NOT** designed to be dismantled, transported and reassembled.
4. Dispose of all packaging carefully and responsibly.
5. We advise you to keep these instructions in a safe place in case required for future use.
6. Assembly to be carried out by a competent adult only.
7. This product is suitable for children age 3+ years.
8. Regular check all fastenings to ensure that they are properly tightened.