

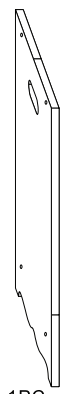
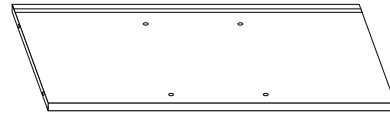
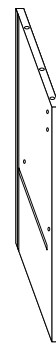
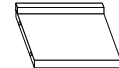


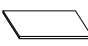
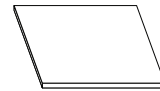

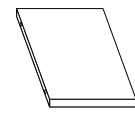


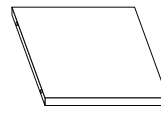

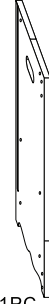
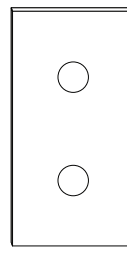


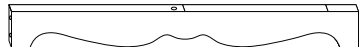
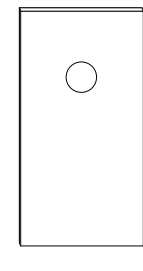

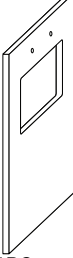
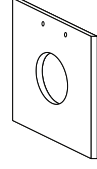

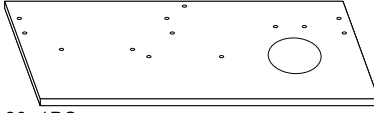



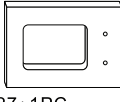
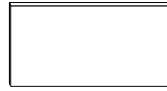

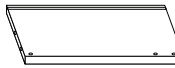

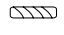




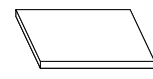
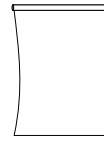
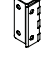
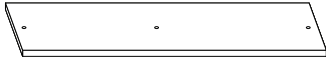



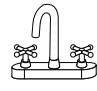

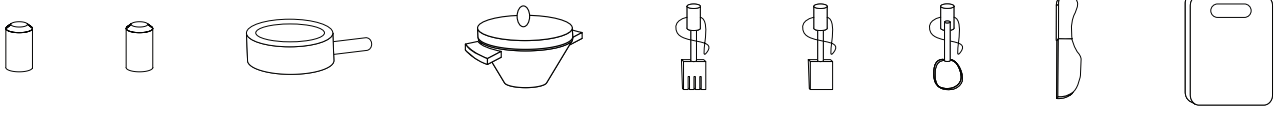


RETAIN THESE INSTRUCTIONS FOR FUTURE REFERENCES.

PART LIST AND HARDWARE						
 1: 2PCS	 2: 1PC	 5: 1PC	 6: 1PC	 9: 1PC	 10: 1PC	4X40mm  A: 34PCS
 3: 4PC	 4: 1PC		 7: 1PC	 8: 1PC	 11: 1PC	4X30mm  B: 4PCS
 12: 1PC	 13: 1PC	 14: 1PC	 16: 1PC	 17: 1PC	 18: 1PC	4X20mm  C: 9PCS
	 15: 1PC			 19: 1PC		3X16mm  D: 2PCS
 20: 1PC	 21: 1PC	 22: 1PC	 23: 1PC	 25: 1PC	 26: 1PC	3X8mm  E: 32PCS
 27: 1PC	 29: 1PC	 30: 1PC	 24: 1PC	 35: 1PC		5X30mm  F: 37PCS
 28: 1PC	 33: 1PC	 31: 1PC	 32: 2PCS	 36: 3PCS	 38: 2PCS	 G: 4PCS
 34: 1PC						 H: 2PCS
						 I: 1PC
						 J: 1PC
						 K: 1PC
						 L: 1PC

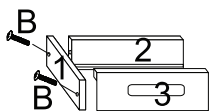
9 WOODEN ACCESSORIES



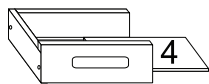
TOOLS REQUIRED

1. Phillips Head Screw Driver (not supplied)

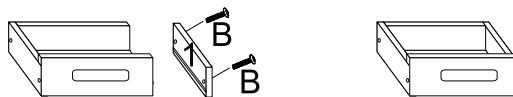


Step ①

Use B screw to lock No.2 and 3 panel on No.1 panel.

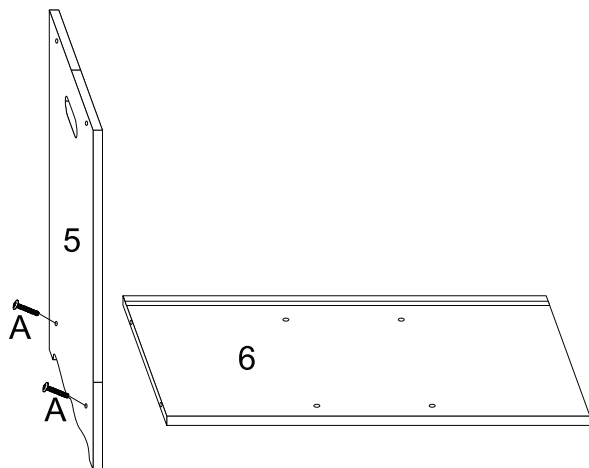
Step ②

Insert No.4 panel between No.2 and 3 panel groove.

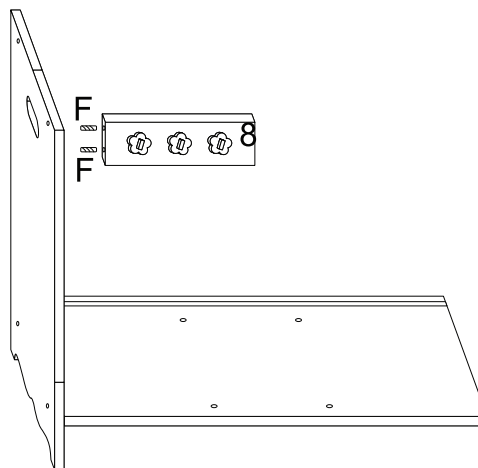
Step ③

Use B screw to lock No.1 panel drawer rightside.

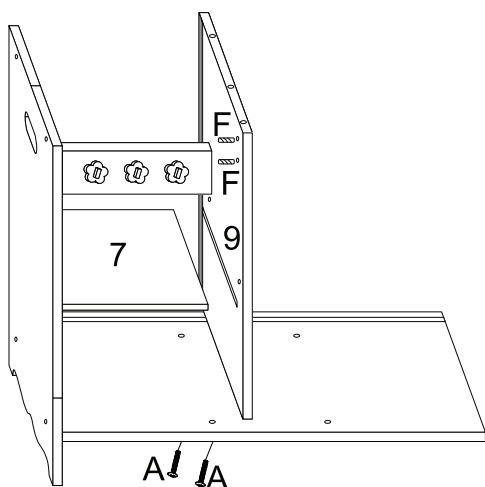
Finish the drawer assembly.

Step ④

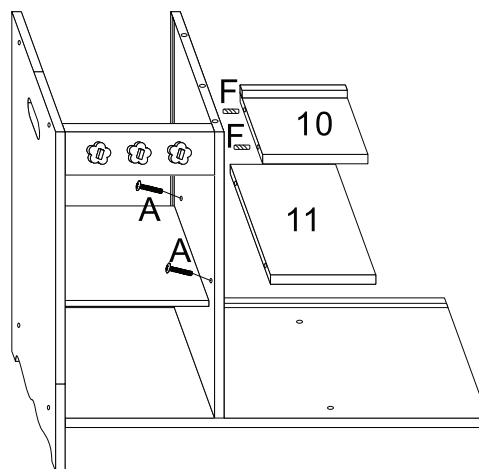
Use A screw to lock No.6 panel on No.5 panel.

Step ⑤

Insert F(wooden dowel) in No.8 panel leftside, joint it to No.5 panel.

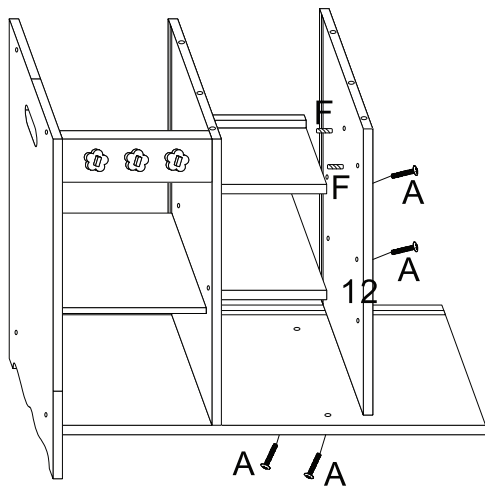
Step ⑥

insert F(wooden dowel) in No.8 panel rightside, joint it to No.9 panel, insert No.7 panel between No.5 and No.9 panel groove, use A screw to lock No.9 panel on No.6 panel.

Step ⑦

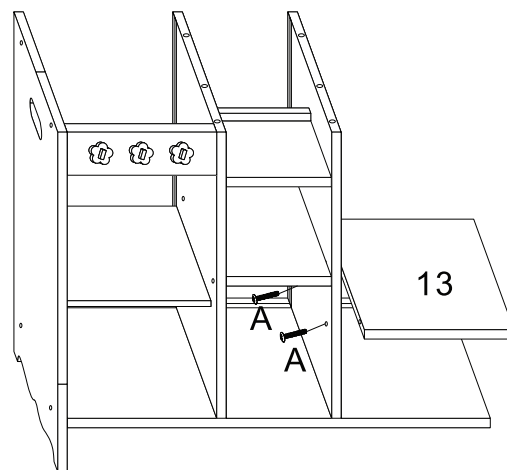
Use A screw to lock No.11 panel on No.9 panel, insert F(wooden dowel) in No.10 panel leftside, joint it to No.9 panel.

Step 8



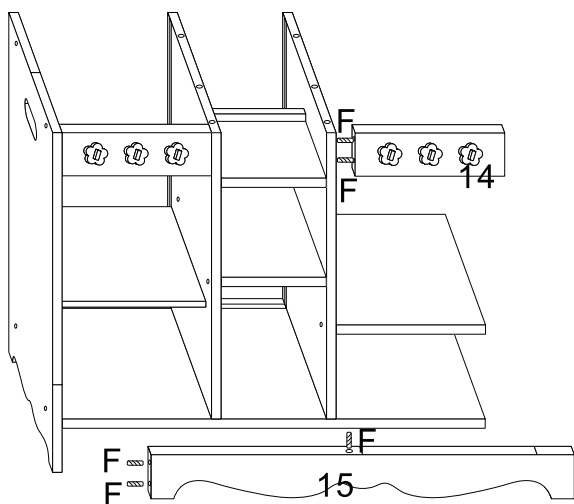
Insert F(wooden dowel) in No.10 panel rightside, joint it to No.12 panel, use A screw to lock No.12 panel on No.6 and 9 panel.

Step 9



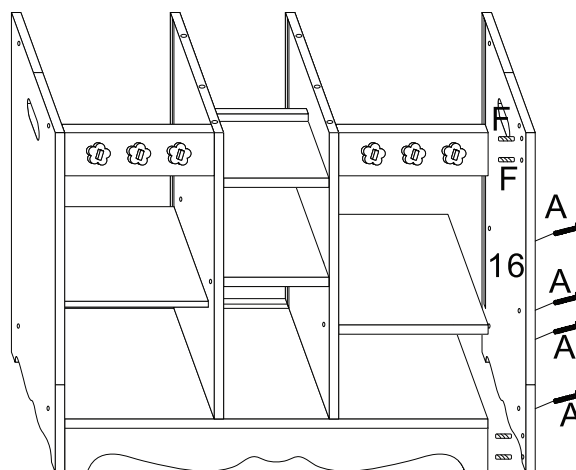
Use A screw to lock No.13 panel on No.12 panel.

Step 10



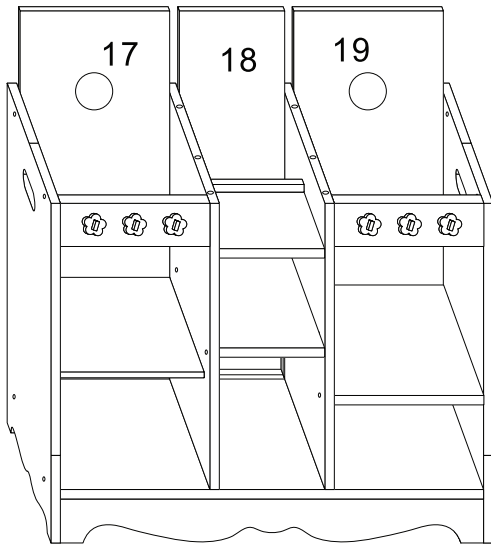
Insert F(wooden dowel) in No.14 panel leftside, joint it to No.12 panel, insert F (wooden dowel) in No.15 panel, joint it to No.5 and 6 panel.

Step 11



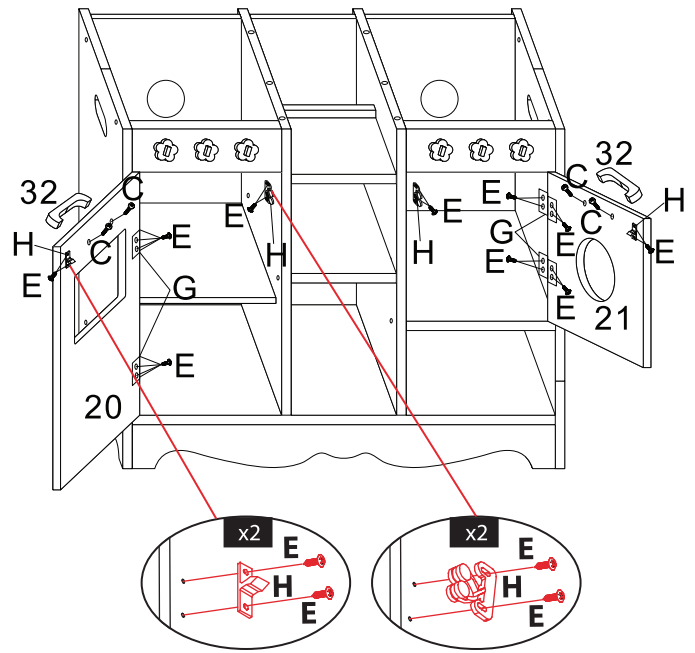
Insert F(wooden dowel) in No.14 and 15 panel rightside, joint it to No.16 panel, use A screw to lock No.16 panel on rightside.

Step 12



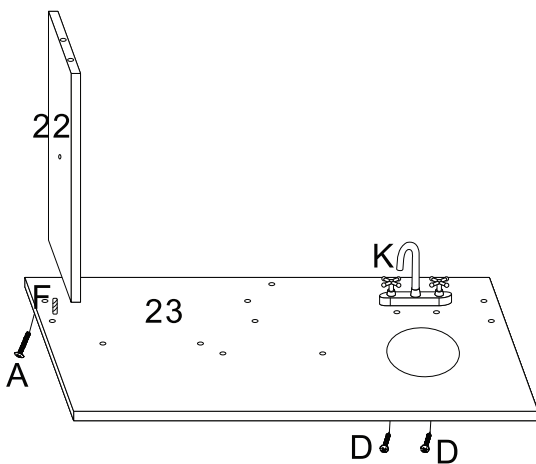
Insert No.17,18,19 panel in backside groove.

Step 13



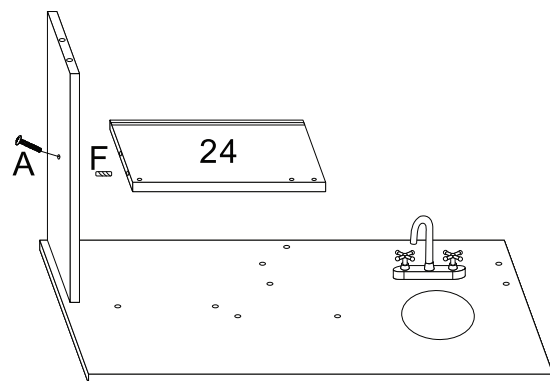
Use C screw to lock No.32(handle) on No.20 and 21 panel, use E screw to lock H(male door latch) on No.20 and 21 panel, use E screw to lock H(female door latch) on No.9 and 12 panel, use E screw to lock G(hinge) on No.20 and 21 panel.

Step 14



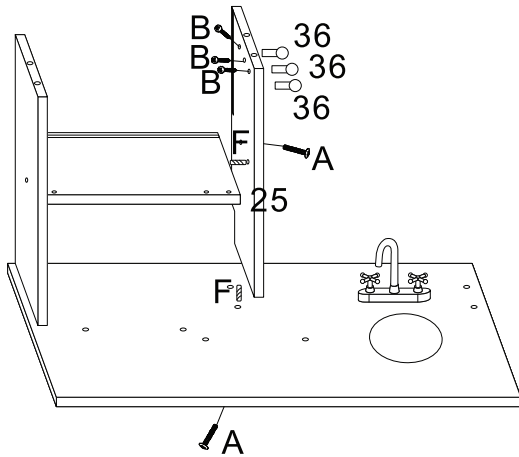
Insert F(wooden dowel) in No.22 panel, joint it to No.23 panel, use A screw to lock No.22 panel on 23 panel, use D screw to lock K(tap) on No.23 panel.

Step 15



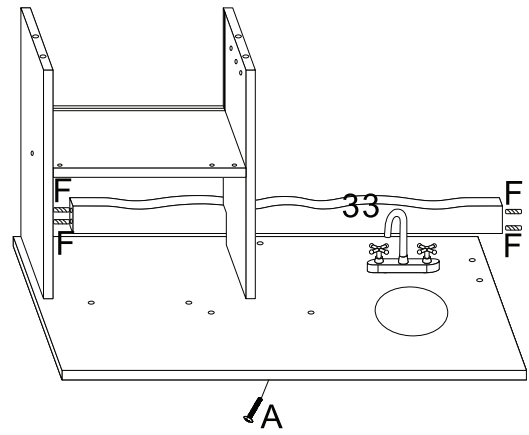
Insert F(wooden dowel) in No.24 panel, joint it to No.22 panel, use A screw to lock No.24 panel on No.22 panel.

Step 16



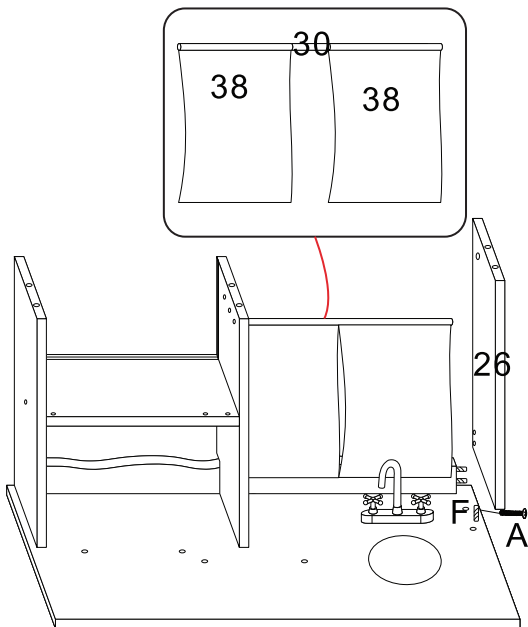
Use B screw to lock No.36(hooks) on No.25 panel, insert F(wooden dowel) in No.25 panel, joint it to No.23 panel, insert F(wooden dowel) in No.24 panel rightside, joint it to No.25 panel, use A screw to lock No.25 panel on 23 panel.

Step 17



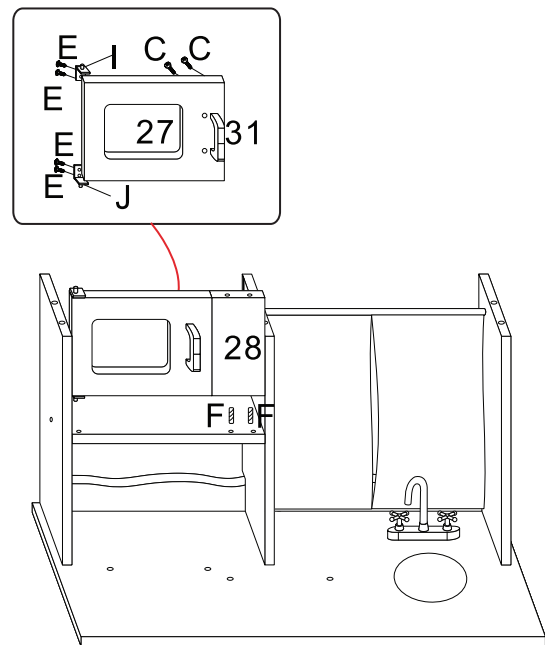
Insert F(wooden dowel) in No.33 panel bothside, across to No.25 panel hole, joint it to No.23 panel, use A screw to lock No.33 panel on No.23 panel.

Step 18



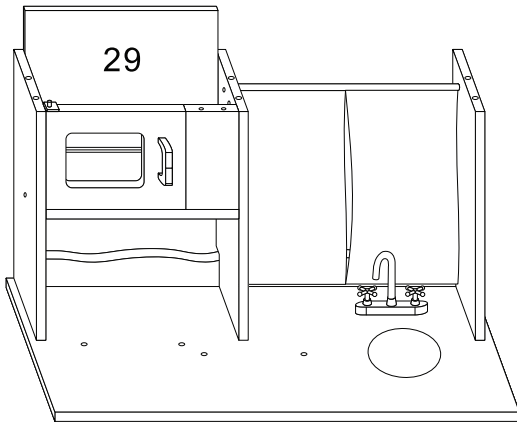
Insert F(wooden dowel) in No.26 panel, joint it to No.23 and 33 panel, across to No.38(fabric) to No.30(bar), joint it to No.25 and 26 panel, use A screw to lock No.26 panel on No.23 panel.

Step 19



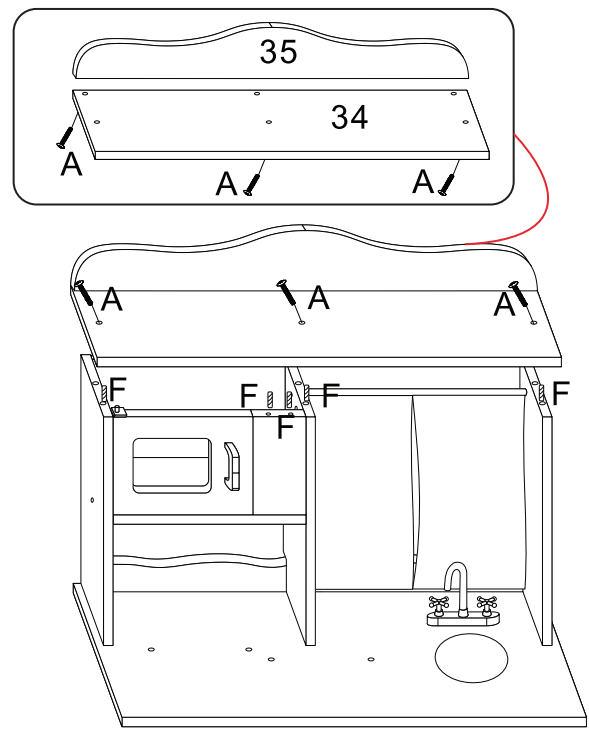
Use E screw to lock J(door pin) on No.27 panel up and down, insert No.27 panel on No.24 panel, use C screw to lock No.31 (handle) on No.27 panel, insert F(wooden dowel) in No.28 panel, joint it to No.24 panel.

Step 20



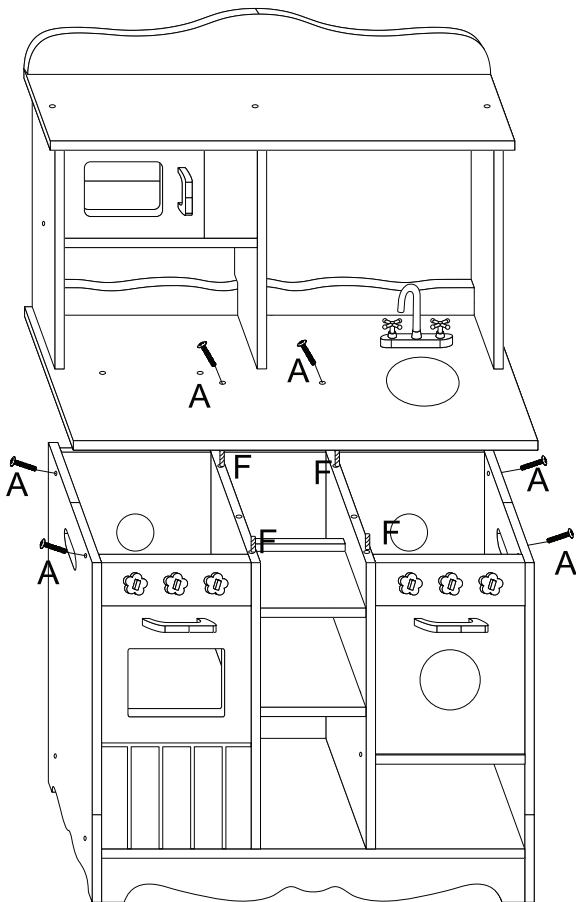
Insert No.29 panel in backside groove.

Step 21



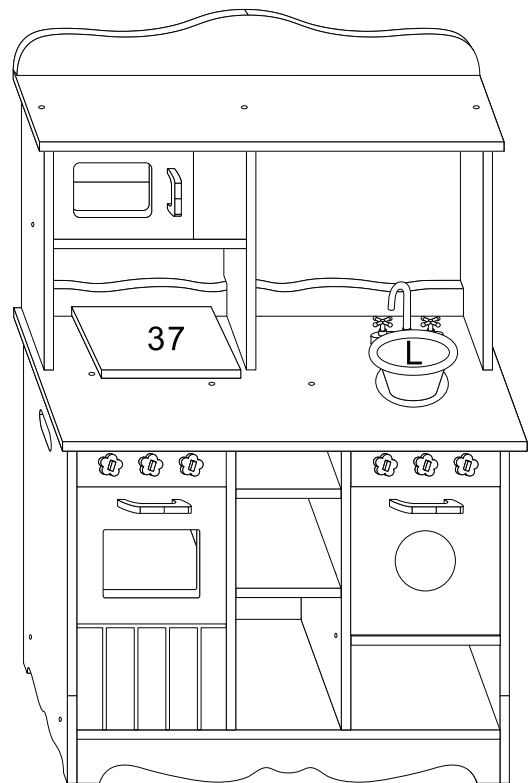
Use A screw to lock No.35 panel on No.34 panel, insert F(wooden dowel) in No.22,25,26 and 28 panel, joint it to No.34 panel,then use A screw to lock it.

Step 22

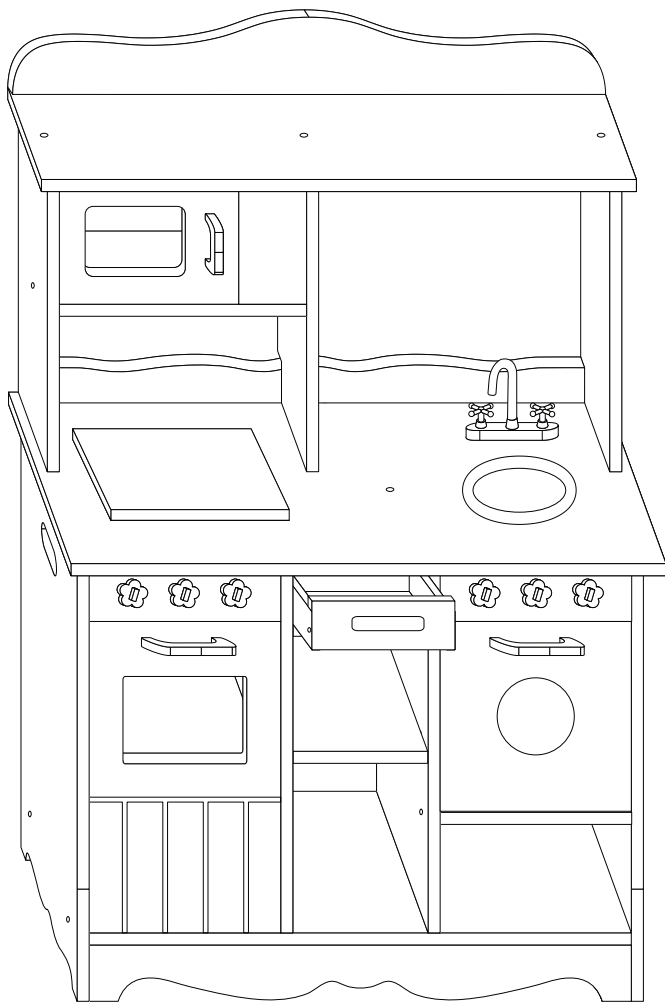


Insert F(wooden dowel) in No.9 and 12 panel top, joint it to the upper part of kitchen,then use A screw to lock it.

Step 23



Put No.37 and L on counter-table.



Finish the kitchen assembly.
Attention: now, buyer can put the accessories (9pcs) by yourself.

WARNINGS

1. **WARNING: DO NOT** use this product if any part is broken, torn or missing. Please contact your supplier and spare parts can be supplied – please use only parts approved by the manufacturer.
2. Please keep children away from the work area during assembly of this product – due to possible risk of injury.
3. Once assembled, this product is **NOT** designed to be dismantled, transported and reassembled.
4. Dispose of all packaging carefully and responsibly.
5. We advise you to keep these instructions in a safe place in case required for future use.
6. Assembly to be carried out by a competent adult only.
7. This product is suitable for children age 3+ years.
8. Regular check all fastenings to ensure that they are properly tightened.

CARE/CLEANING INSTRUCTIONS

- Wipe furniture with a soft dry cloth, do not use paper as this may be abrasive to the finish.
- The kitchen should be cleaned with a damp cloth and dried with a dry cloth.
- **DO NOT** use bleach or chemical solutions to clean the product.
- **DO NOT** expose to sunlight or other heat sources for a prolonged period.
- **DO NOT** store or leave outside.