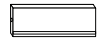

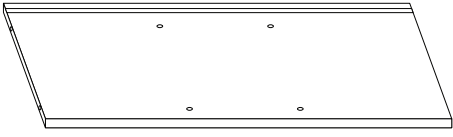
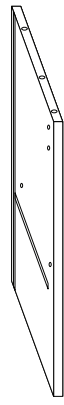
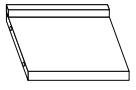



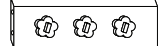
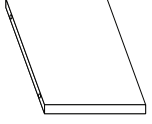
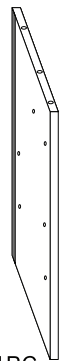
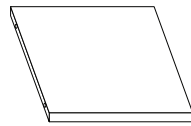


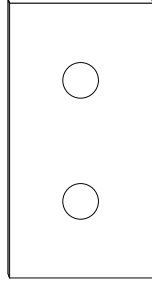
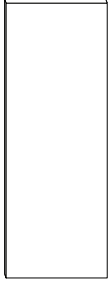
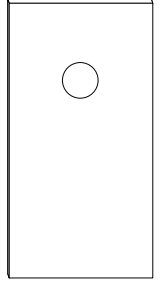
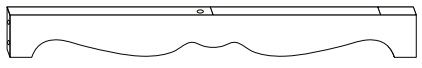
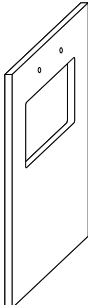
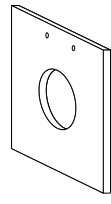
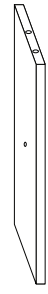
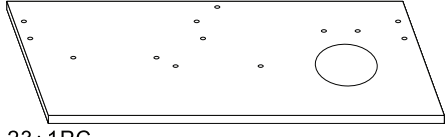


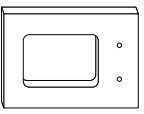
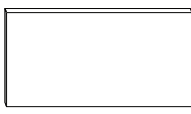
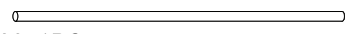
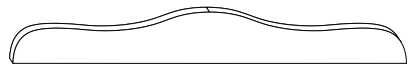





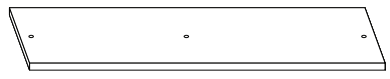
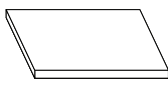
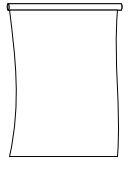
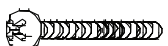





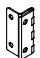














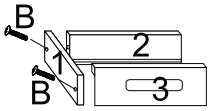
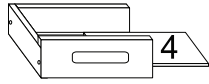
 1: 2PCS	 2: 1PC	 5: 1PC	 6: 1PC		 9: 1PC	 10: 1PC
 3: 1PC	 4: 1PC		 7: 1PC	 8: 1PC		 11: 1PC
 12: 1PC	 13: 1PC	 14: 1PC	 16: 1PC	 17: 1PC	 18: 1PC	 19: 1PC
	 15: 1PC					
 20: 1PC	 21: 1PC	 22: 1PC	 23: 1PC		 25: 1PC	 26: 1PC
 27: 1PC	 29: 1PC	 30: 1PC		 35: 1PC		
		 31: 1PC	 32: 2PCS		 36: 3PCS	
 28: 1PC	 33: 1PC		 34: 1PC		 37: 1PC	 38: 2PCS
4X40mm  A: 34PCS	4X30mm  B: 4PCS	4X20mm  C: 9PCS	3X16mm  D: 2PCS	3X8mm  E: 32PCS	5X30mm  F: 37PCS	
 G: 4PCS	 H: 2PCS	 I: 1PC	 J: 1PC	 K: 1PC		 L: 1PC
        						

Step ①



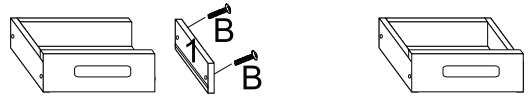
Use B screw to lock No.2 and 3 panel on No.1 panel.

Step ②



Insert No.4 panel between No.2 and 3 panel groove.

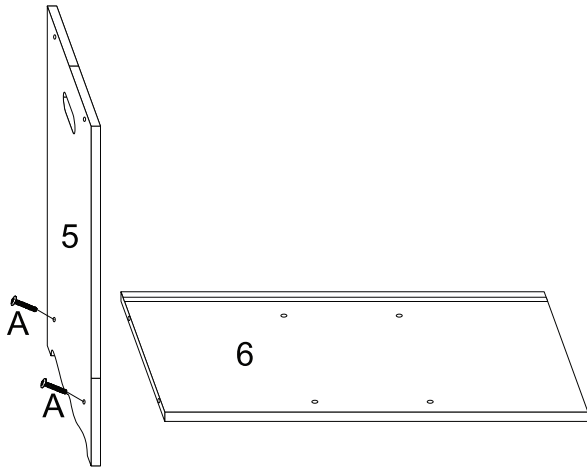
Step ③



Use B screw to lock No.1 panel drawer rightside.

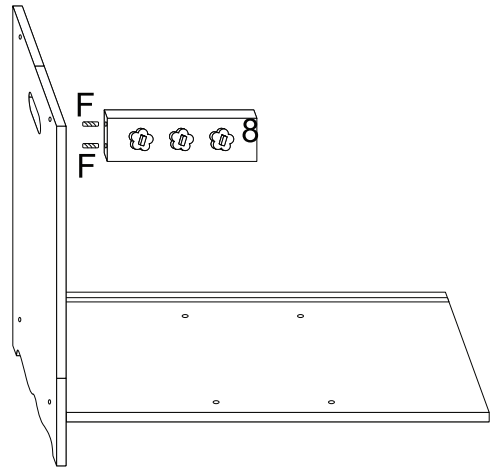
Finish the drawer assembly.

Step ④



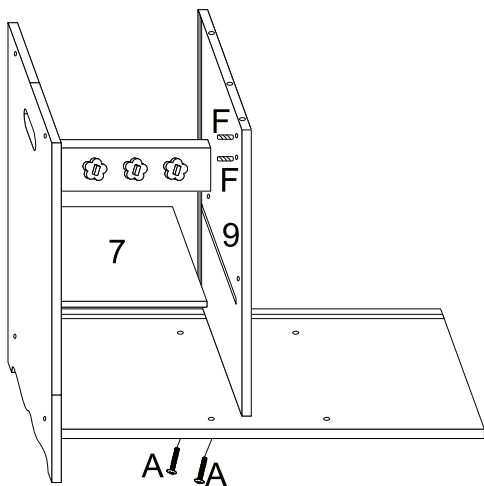
Use A screw to lock No.6 panel on No.5 panel.

Step ⑤



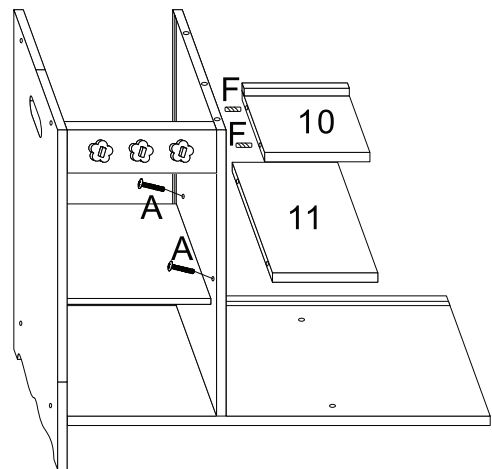
Insert F(wooden dowel) in No.8 panel leftside, joint it to No.5 panel.

Step ⑥



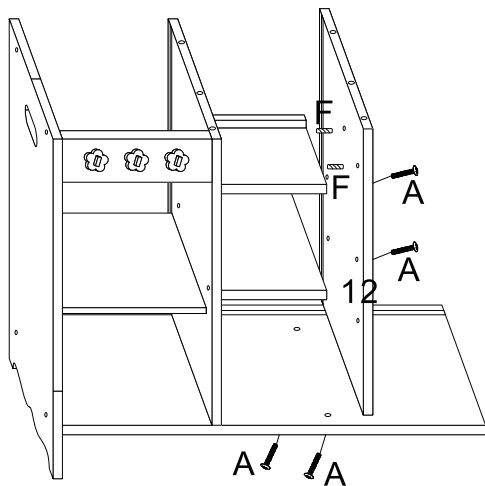
insert F(wooden dowel) in No.8 panel rightside, joint it to No.9 panel, insert No.7 panel between No.5 and No.9 panel groove, use A screw to lock No.9 panel on No.6 panel.

Step ⑦



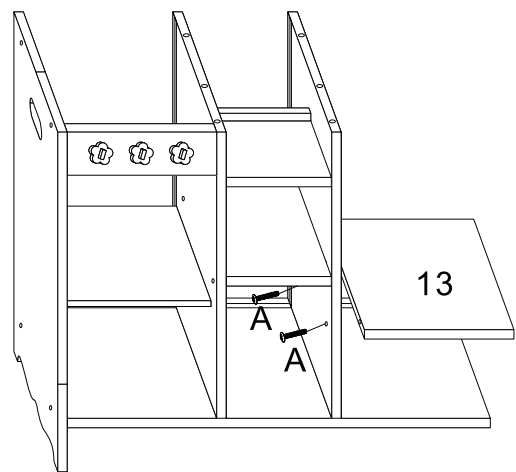
Use A screw to lock No.11 panel on No.9 panel, insert F(wooden dowel) in No.10 panel leftside, joint it to No.9 panel.

Step 8



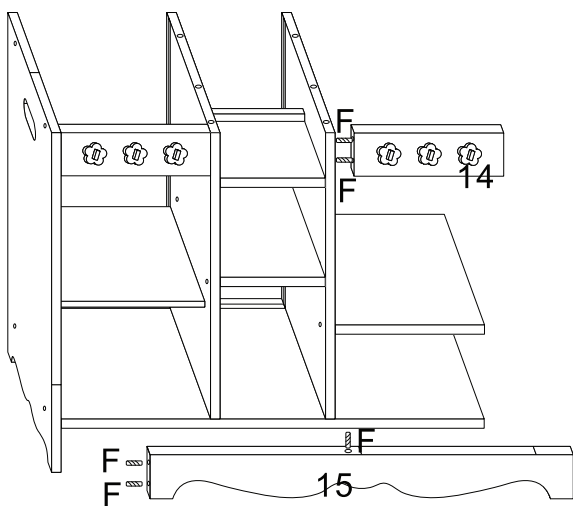
Insert F(wooden dowel) in No.10 panel rightside, joint it to No.12 panel, use A screw to lock No.12 panel on No.6 and 9 panel.

Step 9



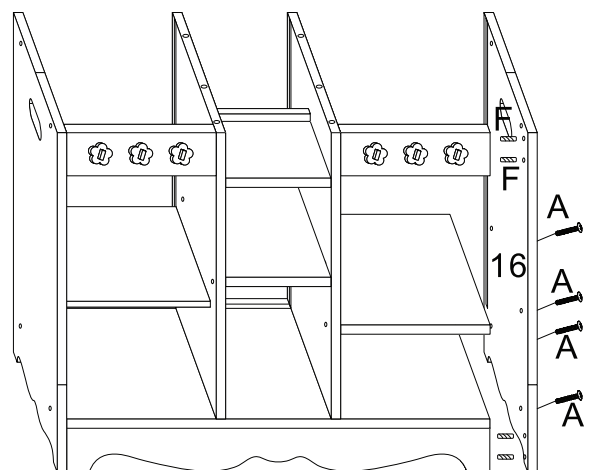
Use A screw to lock No.13 panel on No.12 panel.

Step 10



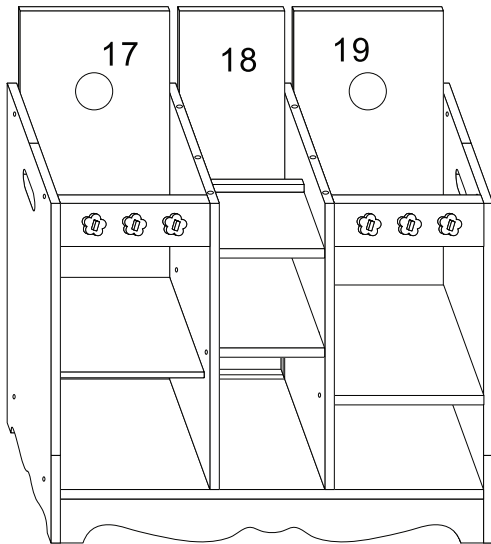
Insert F(wooden dowel) in No.14 panel leftside, joint it to No.12 panel, insert F (wooden dowel) in No.15 panel, joint it to No.5 and 6 panel.

Step 11



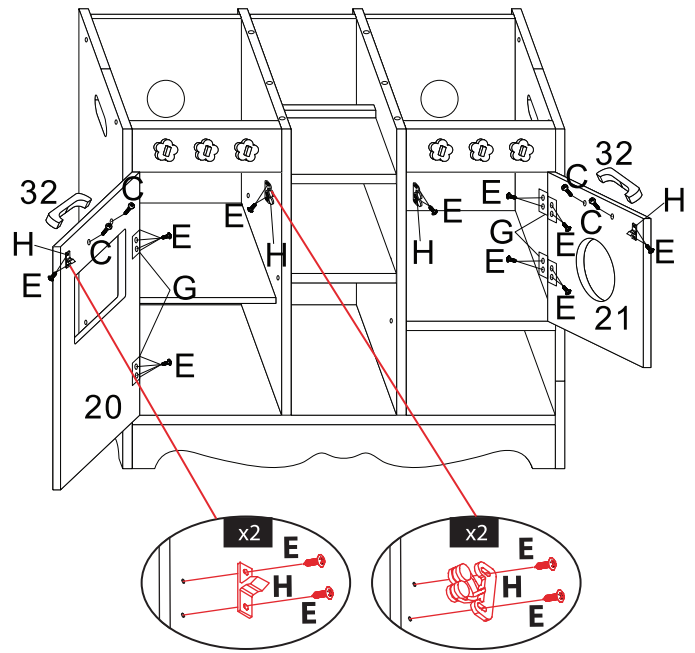
Insert F(wooden dowel) in No.14 and 15 panel rightside, joint it to No.16 panel, use A screw to lock No.16 panel on rightside.

Step 12



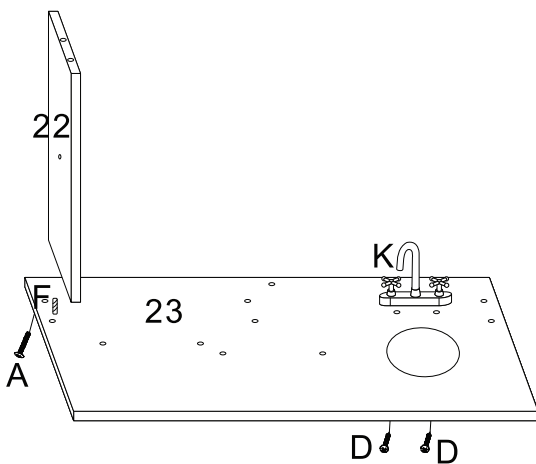
Insert No.17,18,19 panel in backside groove.

Step 13



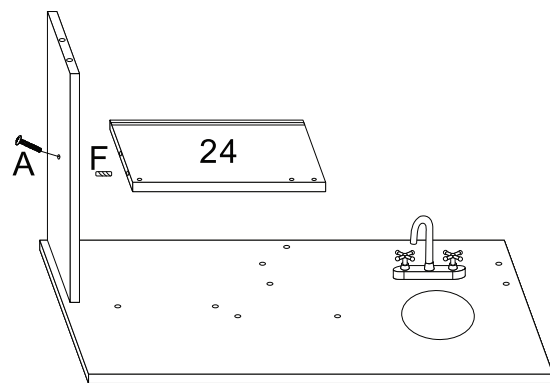
Use C screw to lock No.32(handle) on No.20 and 21 panel, use E screw to lock H(male door latch) on No.20 and 21 panel, use E screw to lock H(female door latch) on No.9 and 12 panel, use E screw to lock G(hinge) on No.20 and 21 panel.

Step 14



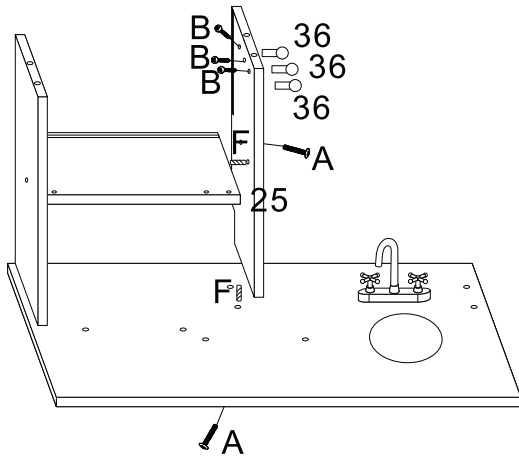
Insert F(wooden dowel) in No.22 panel, joint it to No.23 panel, use A screw to lock No.22 panel on 23 panel, use D screw to lock K(tap) on No.23 panel.

Step 15



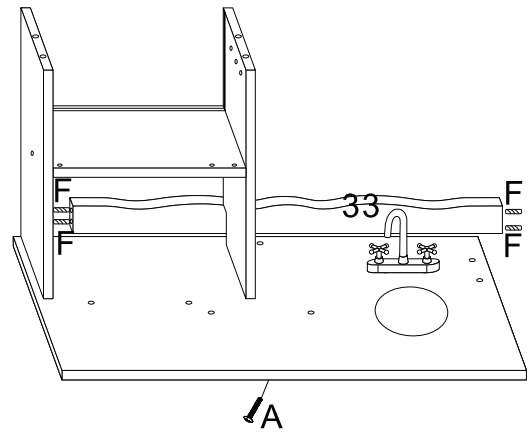
Insert F(wooden dowel) in No.24 panel, joint it to No.22 panel, use A screw to lock No.24 panel on No.22 panel.

Step 16



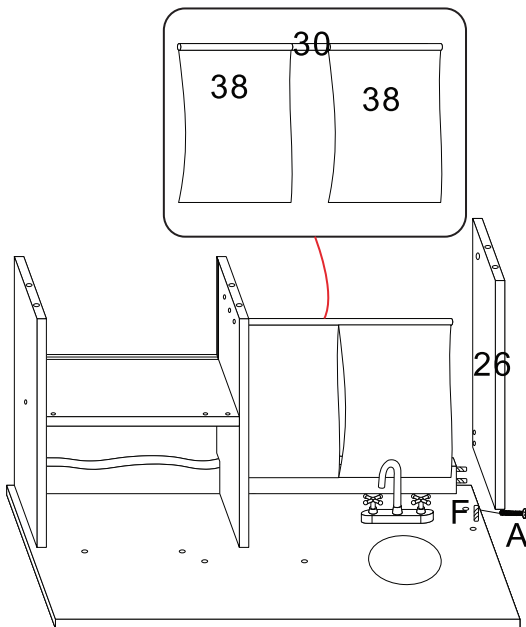
Use B screw to lock No.36(hooks) on No.25 panel, insert F(wooden dowel) in No.25 panel, joint it to No.23 panel, insert F(wooden dowel) in No.24 panel rightside, joint it to No.25 panel, use A screw to lock No.25 panel on 23 panel.

Step 17



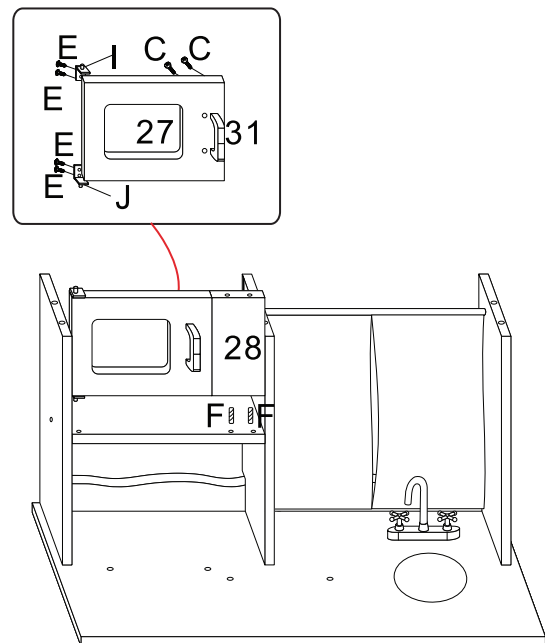
Insert F(wooden dowel) in No.33 panel bothside, across to No.25 panel hole, joint it to No.23 panel, use A screw to lock No.33 panel on No.23 panel.

Step 18



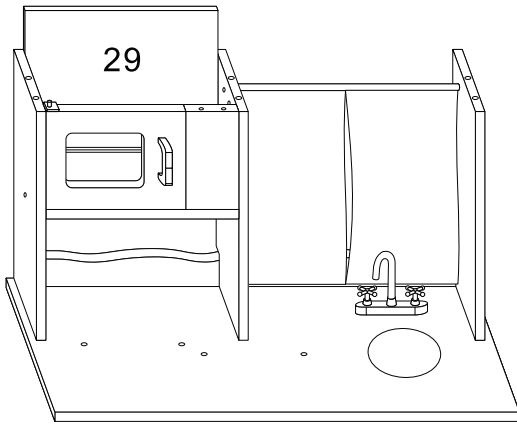
Insert F(wooden dowel) in No.26 panel, joint it to No.23 and 33 panel, across to No.38(fabric) to No.30(bar), joint it to No.25 and 26 panel, use A screw to lock No.26 panel on No.23 panel.

Step 19



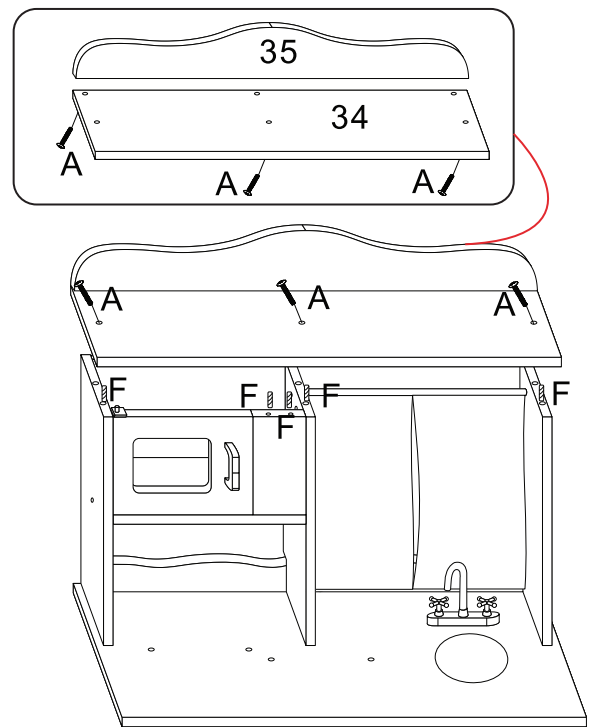
Use E screw to lock J(door pin) on No.27 panel up and down, insert No.27 panel on No.24 panel, use C screw to lock No.31 (handle) on No.27 panel, insert F(wooden dowel) in No.28 panel, joint it to No.24 panel.

Step 20



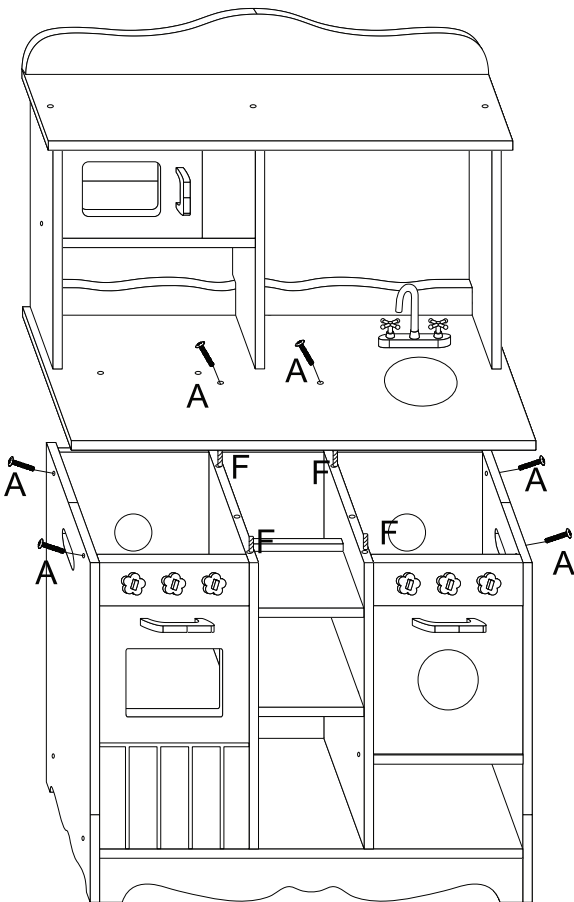
Insert No.29 panel in backside groove.

Step 21



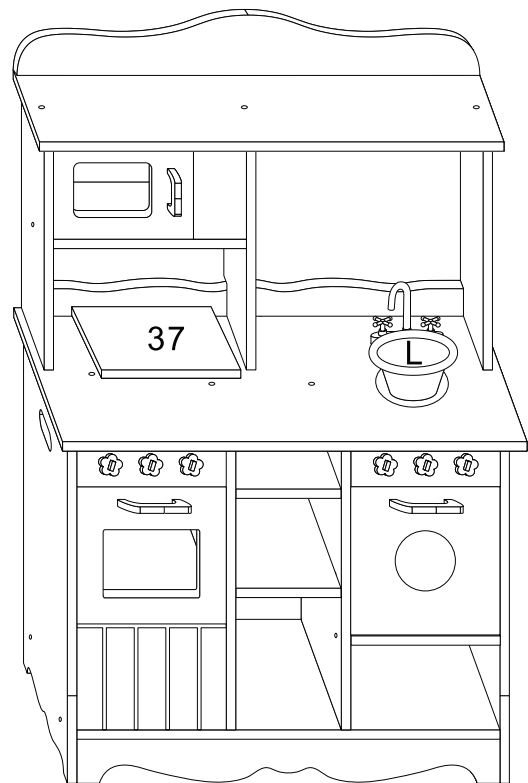
Use A screw to lock No.35 panel on No.34 panel, insert F(wooden dowel) in No.22,25,26 and 28 panel, joint it to No.34 panel,then use A screw to lock it.

Step 22

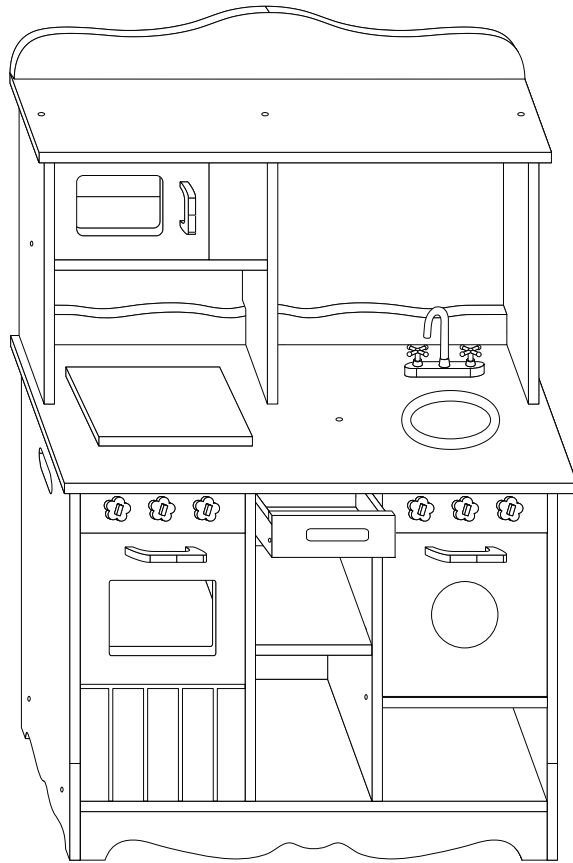


Insert F(wooden dowel) in No.9 and 12 panel top, joint it to the upper part of kitchen,then use A screw to lock it.

Step 23



Put No.37 and L on counter-table.



Finish the kitchen assembly.
Attention: now, buyer can put the accessories (9pcs) by yourself.