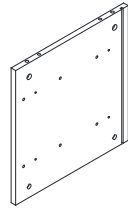
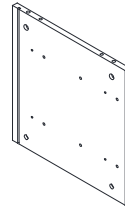


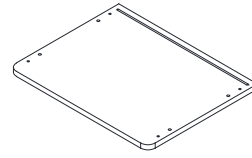
PART LIST



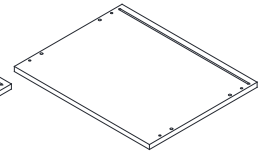
A×1



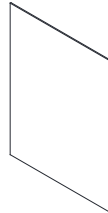
B×1



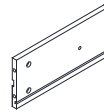
C×1



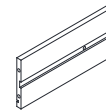
D×1



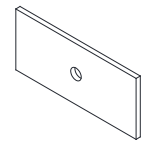
E×1



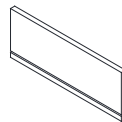
F×3



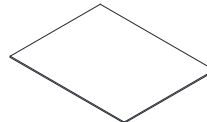
G×3



H×3



I×3



J×3



K×4

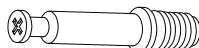
HARDWARE



L×4



M×4



N×12



O×12



P×8



Q×8



R×20



S×8



T×4



U×4

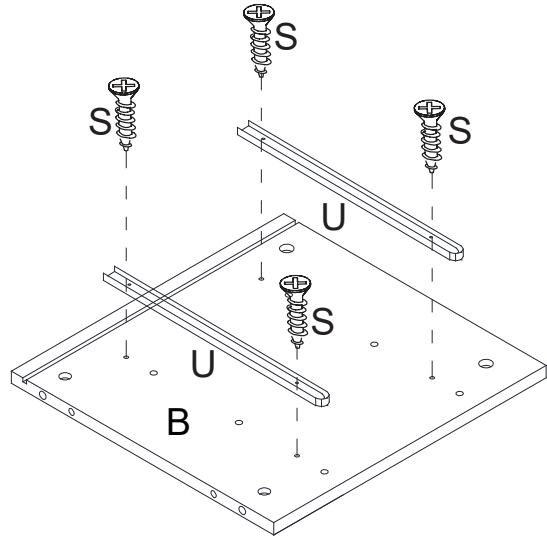
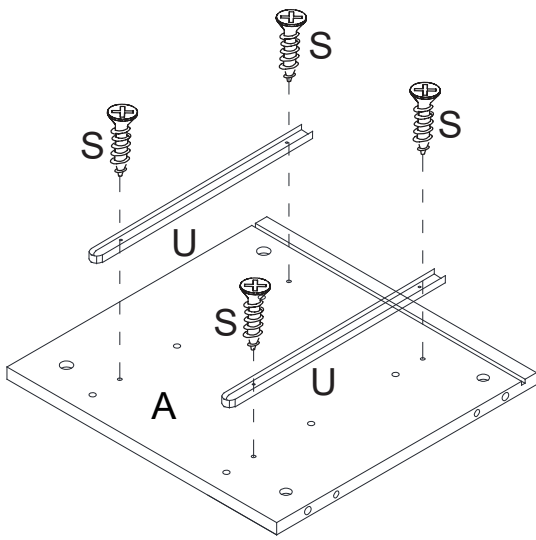


V×4

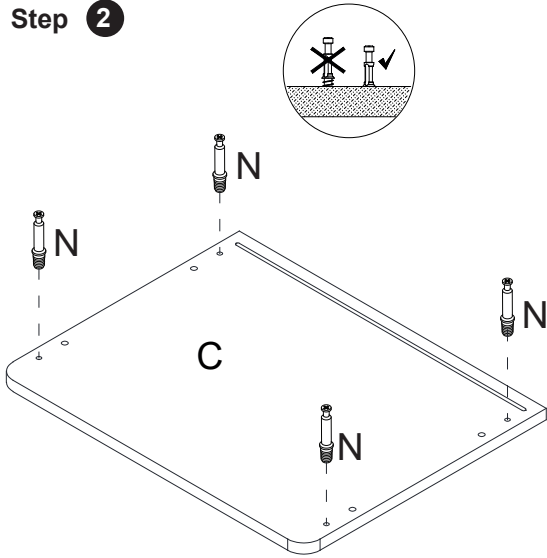
CARE/CLEANING INSTRUCTIONS

- Wipe furniture with a soft dry cloth, do not use paper as this may be abrasive to the finish.
- The unit should be cleaned with a damp cloth and dried with a dry cloth.
- DO NOT use bleach or chemical solutions to clean the product.
- DO NOT expose to sunlight or other heat sources for a prolonged period.
- DO NOT store or leave outside.
- Periodically check the tightening of legs and screws.

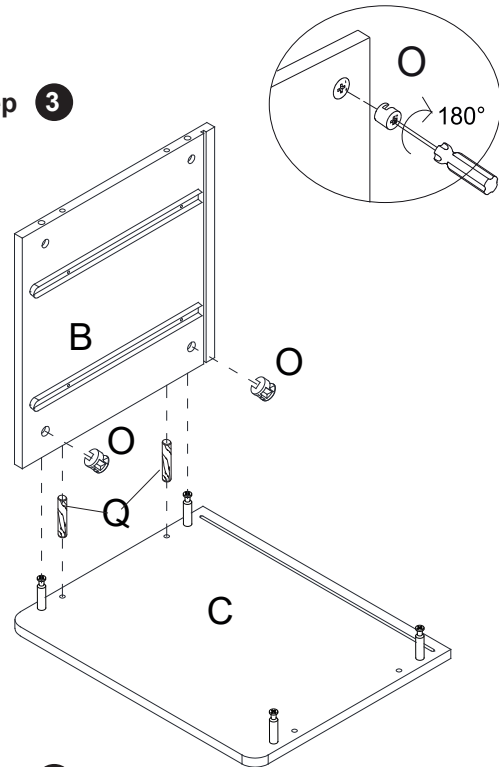
Step 1



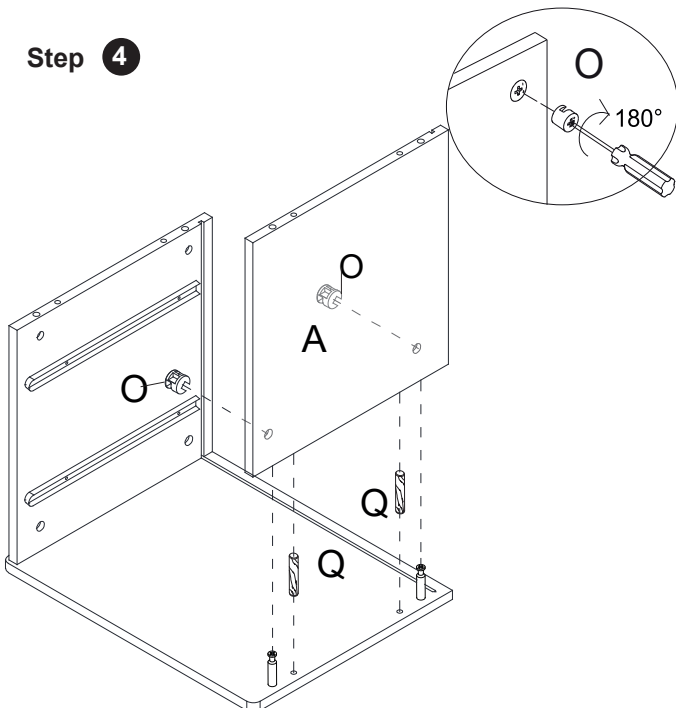
Step 2



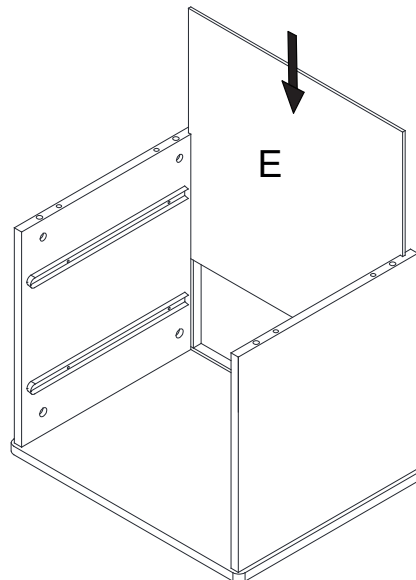
Step 3



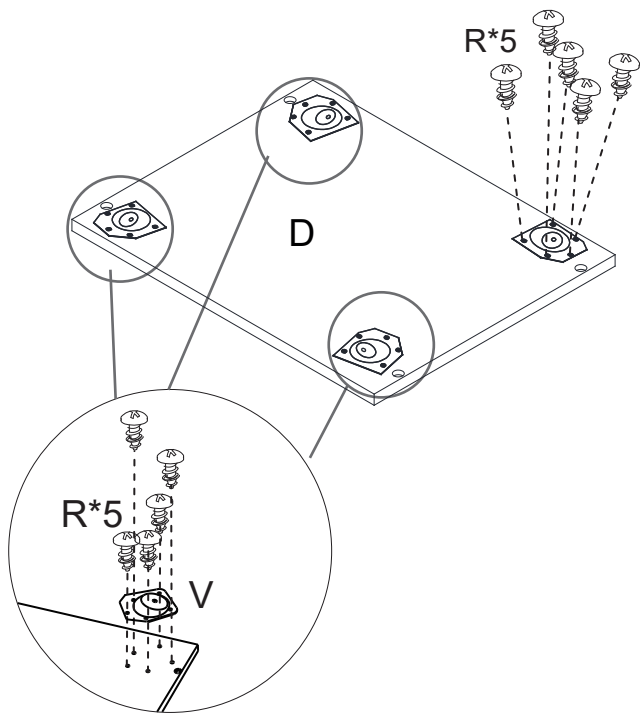
Step 4



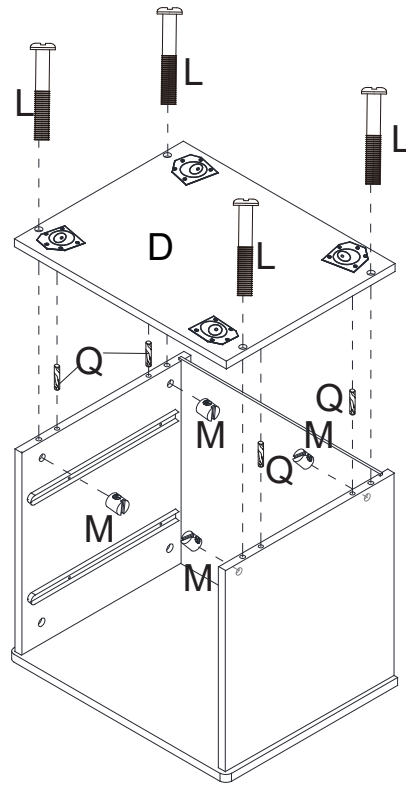
Step 5



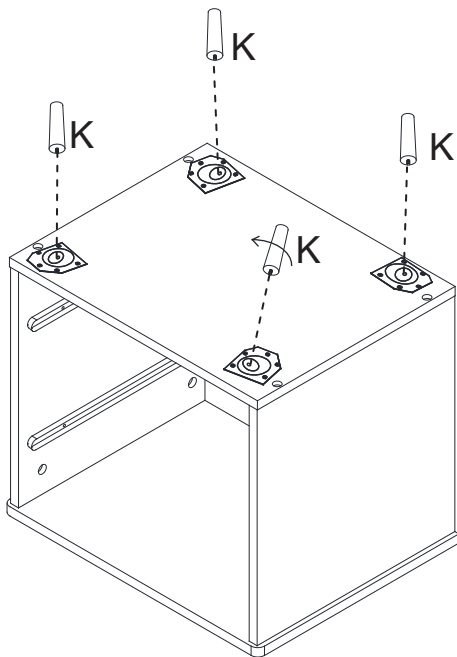
Step 6



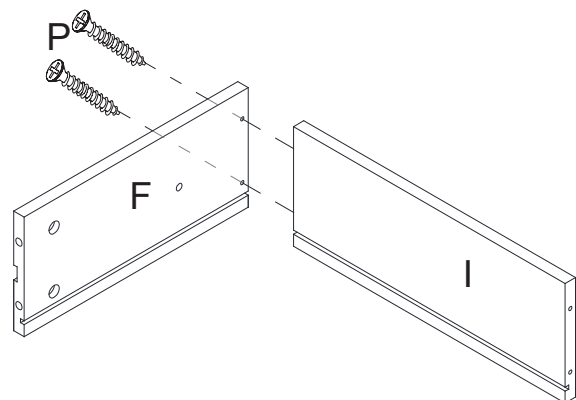
Step 7



Step 8

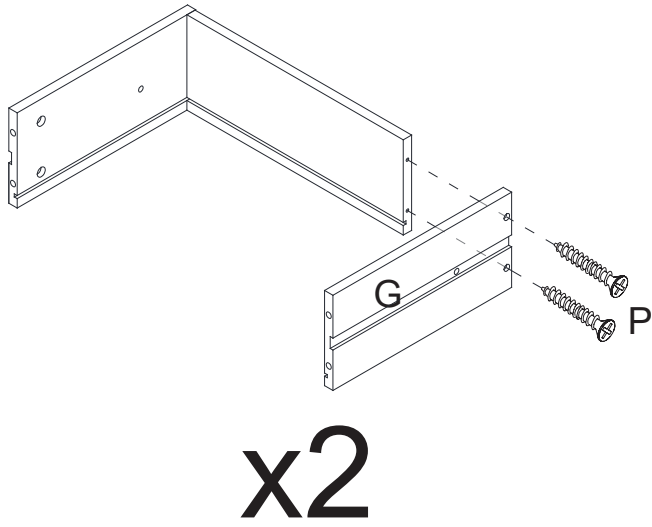


Step 9

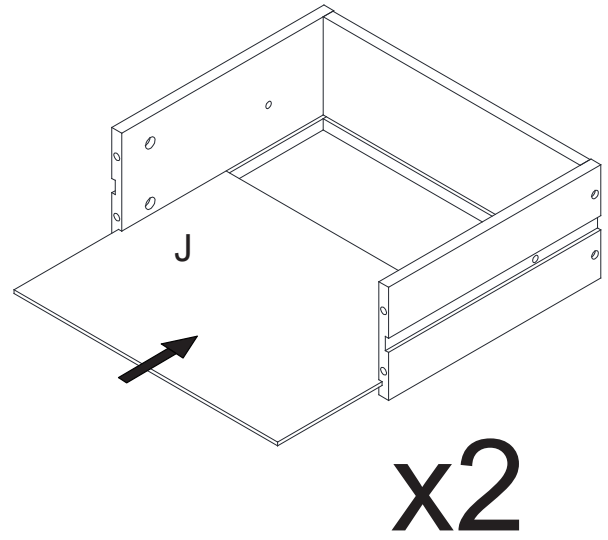


x2

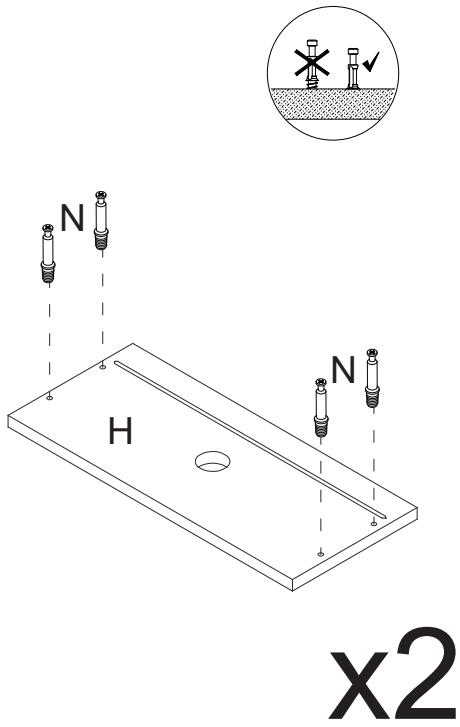
Step 10



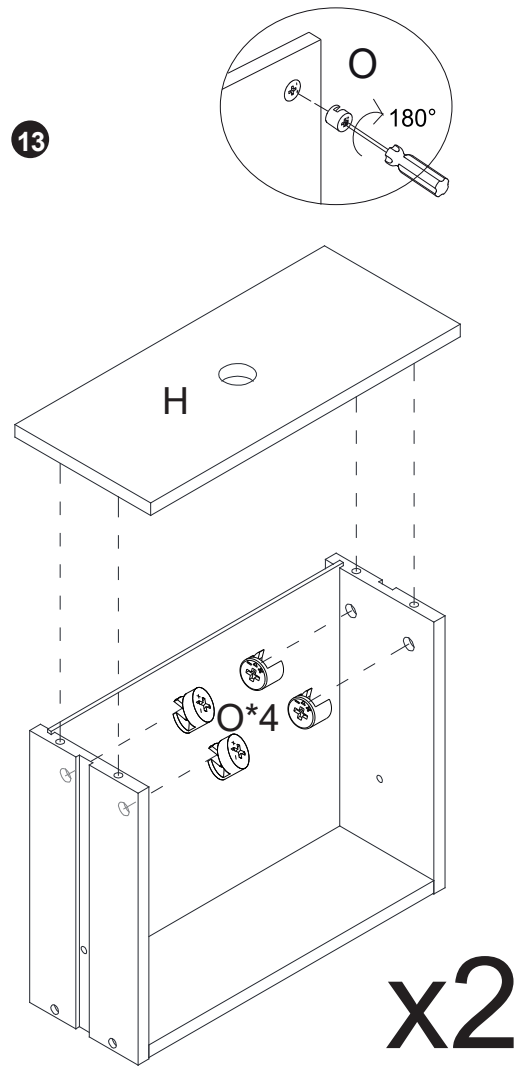
Step 11



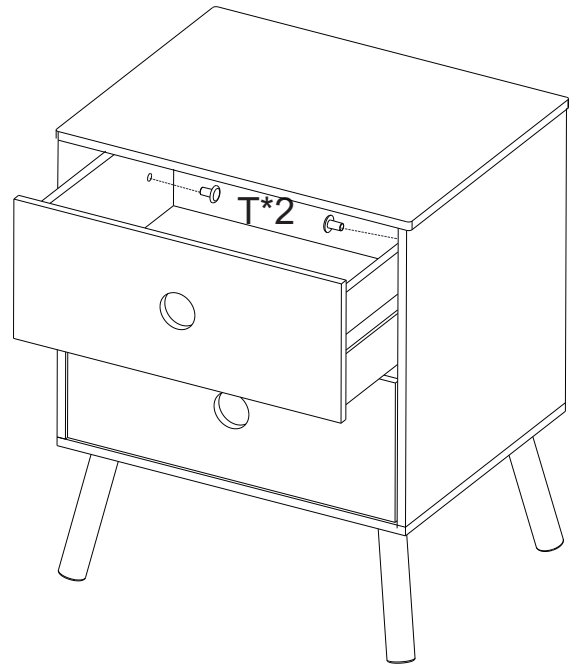
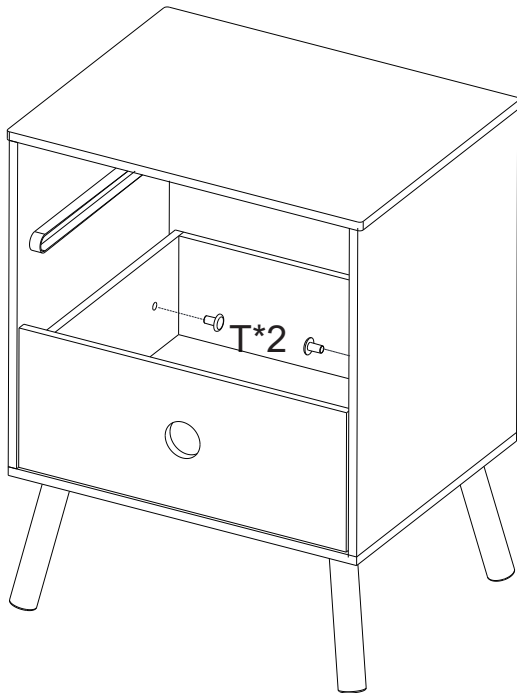
Step 12



Step 13



Step 14



Step 15

