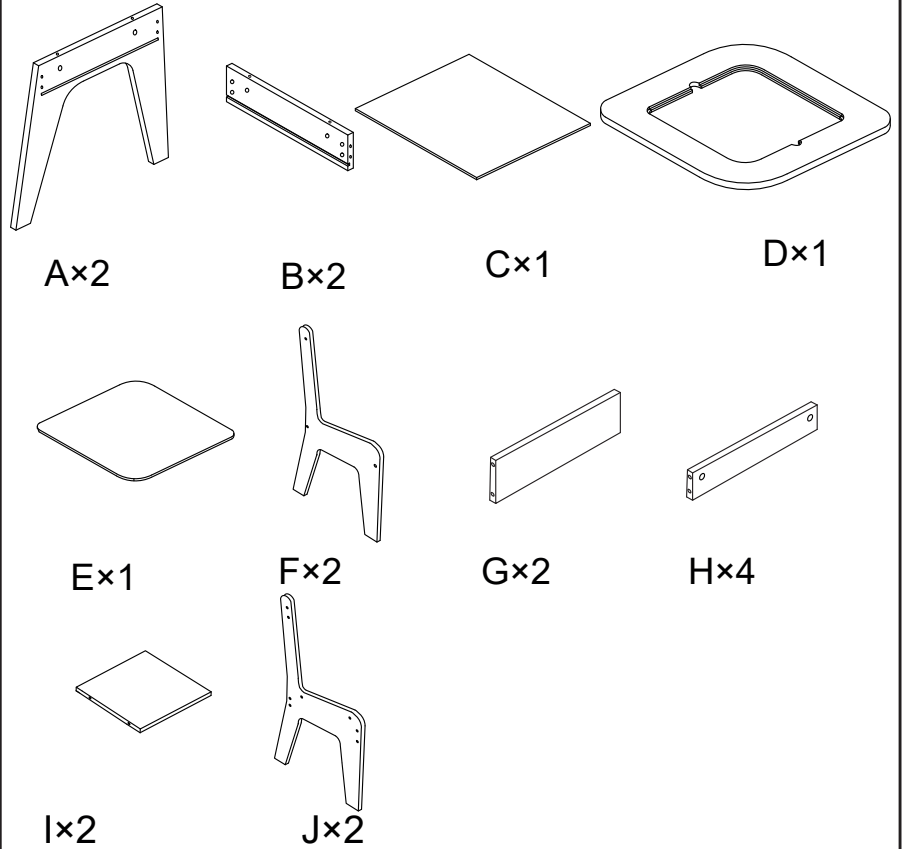
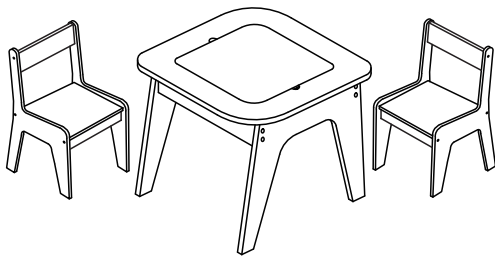


**PART LIST**



**HARDWARE**



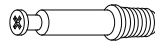
Kx20



Lx20



Mx4



Nx8



Ox20

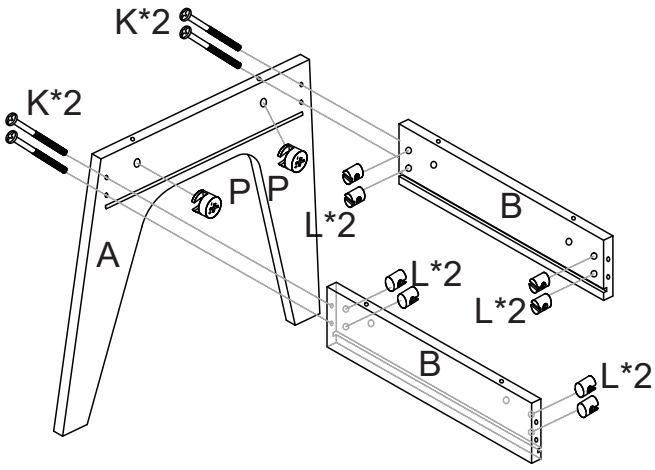


Px4

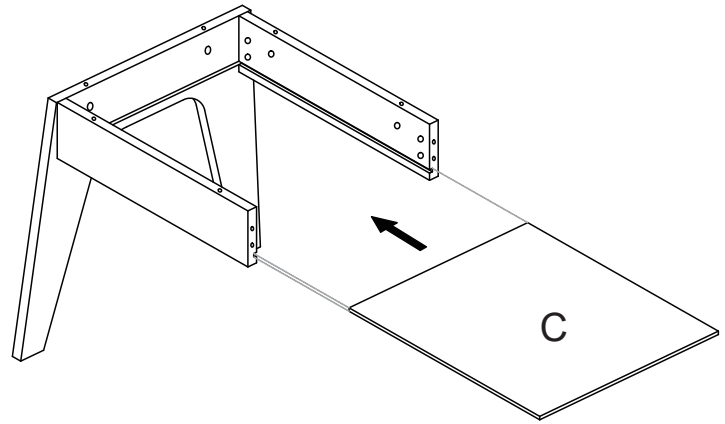
**CARE/CLEANING INSTRUCTIONS**

- Wipe furniture with a soft dry cloth, do not use paper as this may be abrasive to the finish.
- The unit should be cleaned with a damp cloth and dried with a dry cloth.
- **DO NOT** use bleach or chemical solutions to clean the product.
- **DO NOT** expose to sunlight or other heat sources for a prolonged period.
- **DO NOT** store or leave outside.
- Periodically check the tightening of legs and screws.

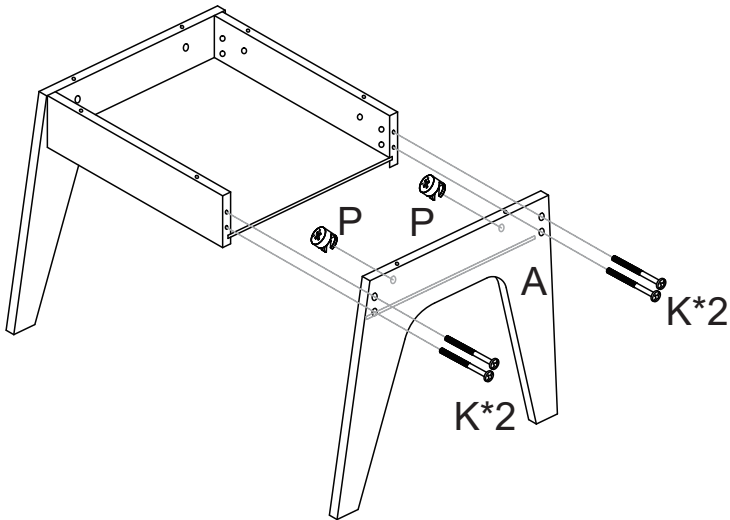
Step 1



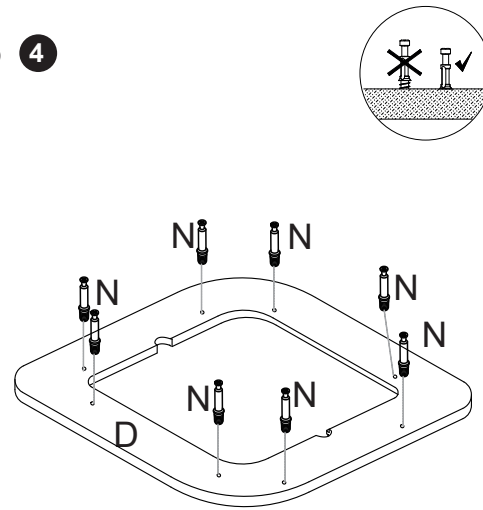
Step 2



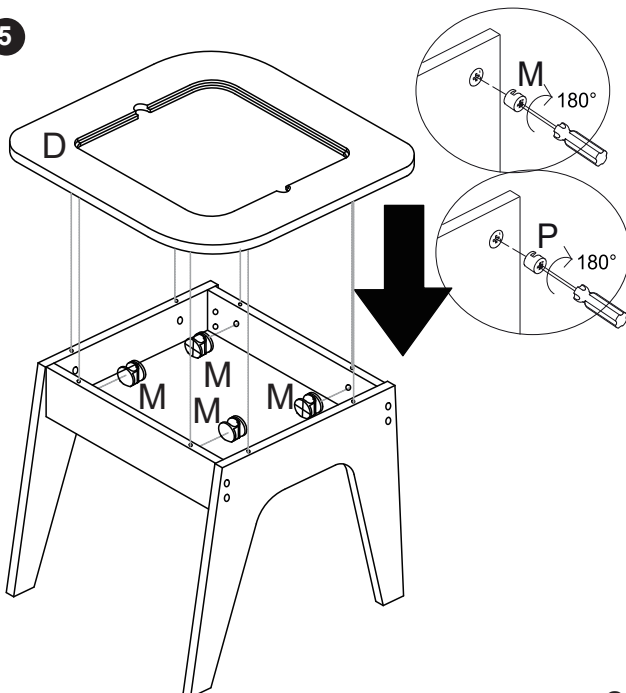
Step 3



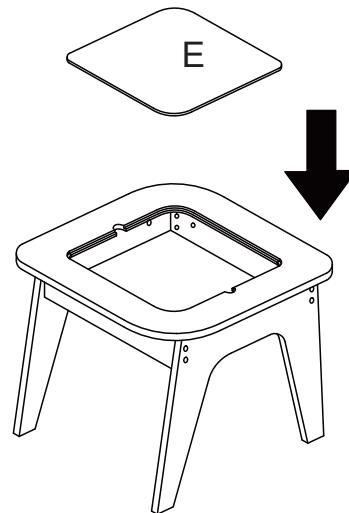
Step 4



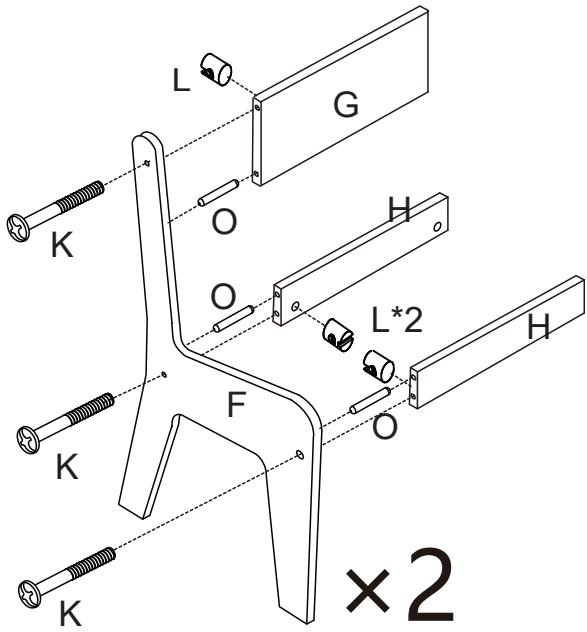
Step 5



Step 6

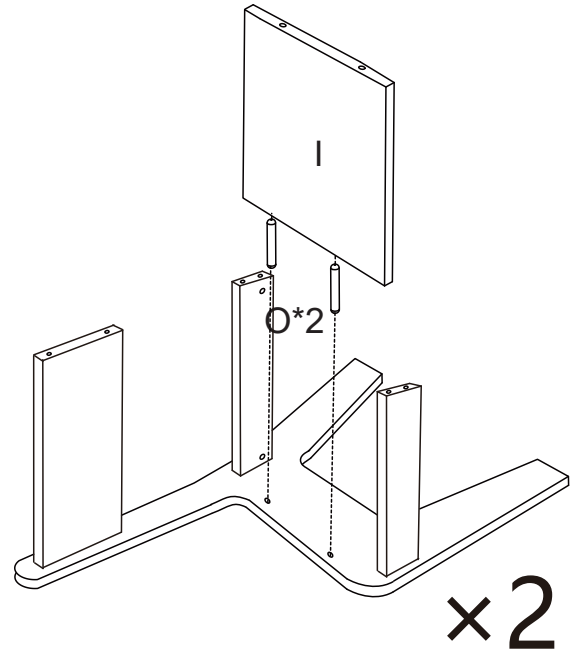


Step 8



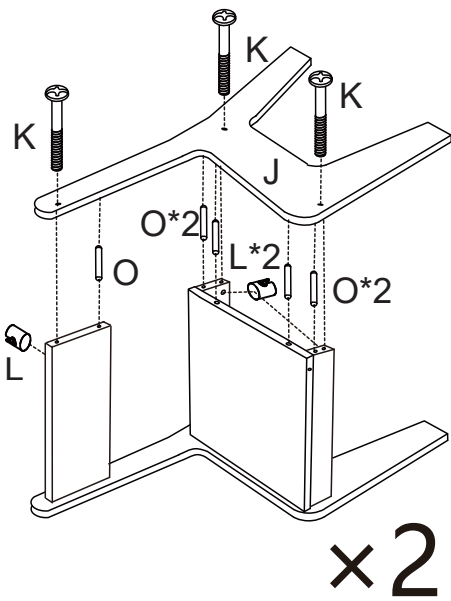
x2

Step 9



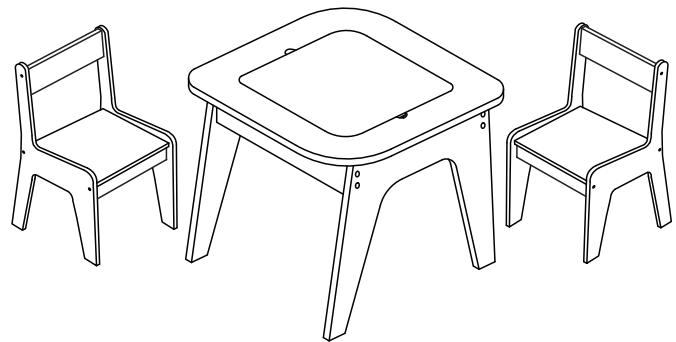
x2

Step 10



x2

Step 11



Liberty House Toys  
 20-24 Gibraltar Row  
 Kids Scandi Study  
 Desk and Chair  
 Liverpool L3 7HJ  
 United Kingdom



**WARNING:**  
 CHOKING HAZARD – Small parts.