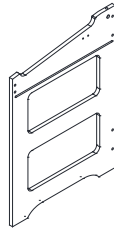
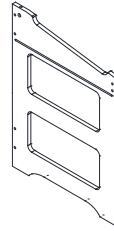


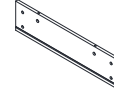
PART LIST



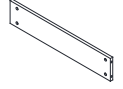
A×1



B×1



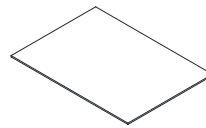
C×1



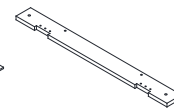
D×1



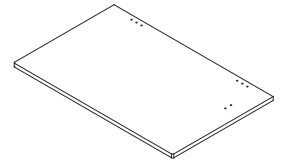
E×1



F×1



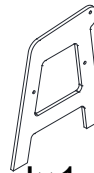
G×1



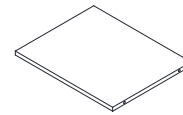
H×1



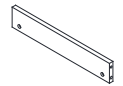
I×1



J×1



K×1



L×3

HARDWARE



M×18



N×18



O×12



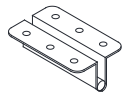
P×2



Q×2



R×1



S×2

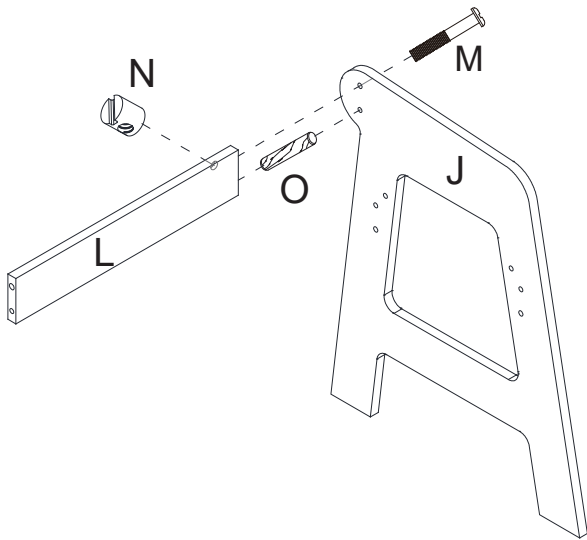


T×16

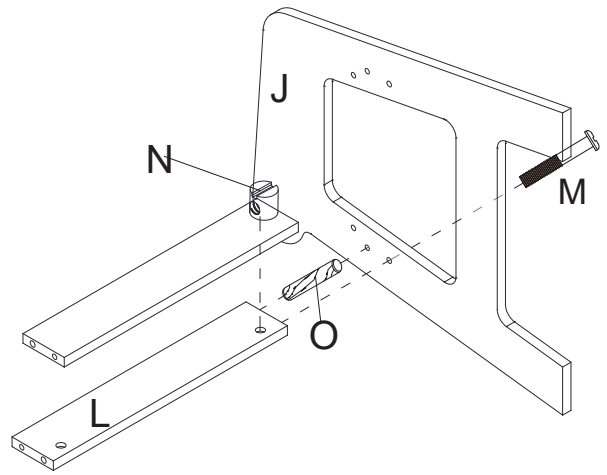
CARE/CLEANING INSTRUCTIONS

- Wipe furniture with a soft dry cloth, do not use paper as this may be abrasive to the finish.
- The unit should be cleaned with a damp cloth and dried with a dry cloth.
- **DO NOT** use bleach or chemical solutions to clean the product.
- **DO NOT** expose to sunlight or other heat sources for a prolonged period.
- **DO NOT** store or leave outside.
- Periodically check the tightening of legs and screws.

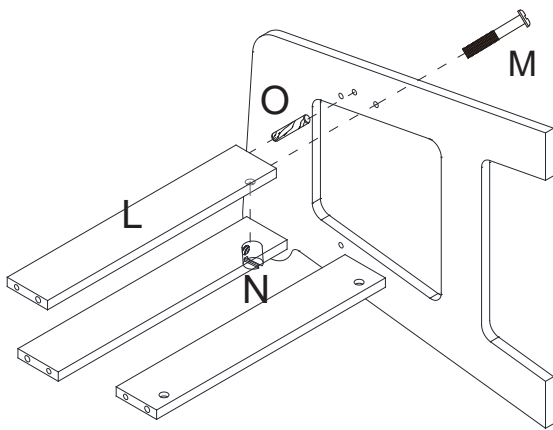
Step 1



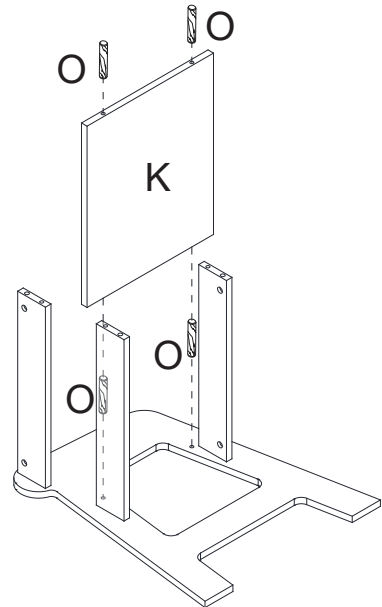
Step 2



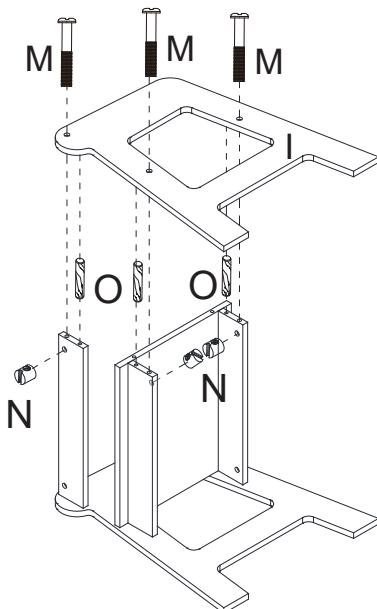
Step 3



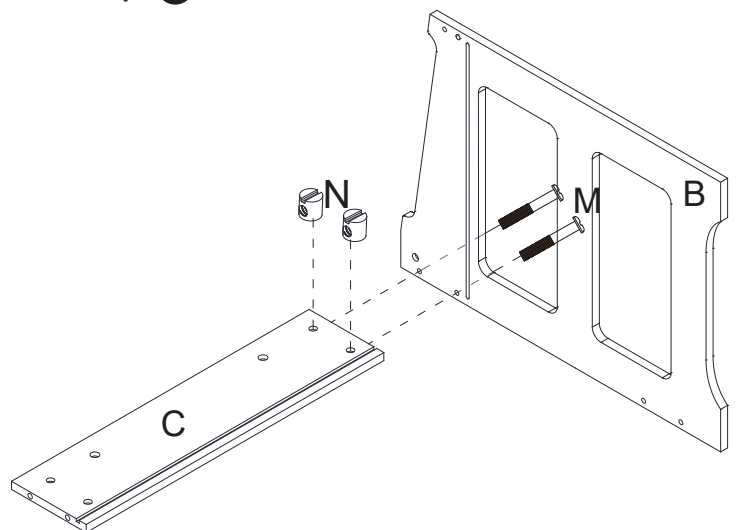
Step 4



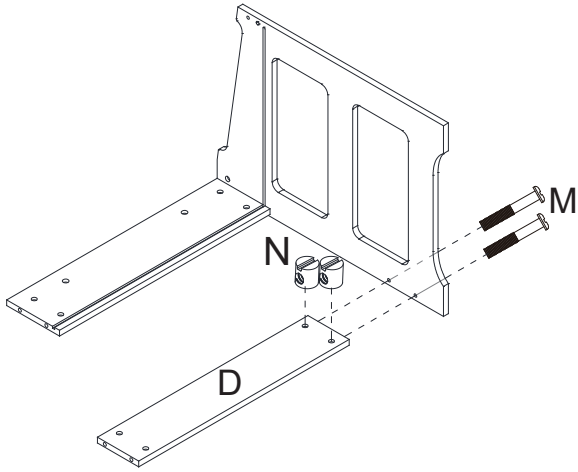
Step 5



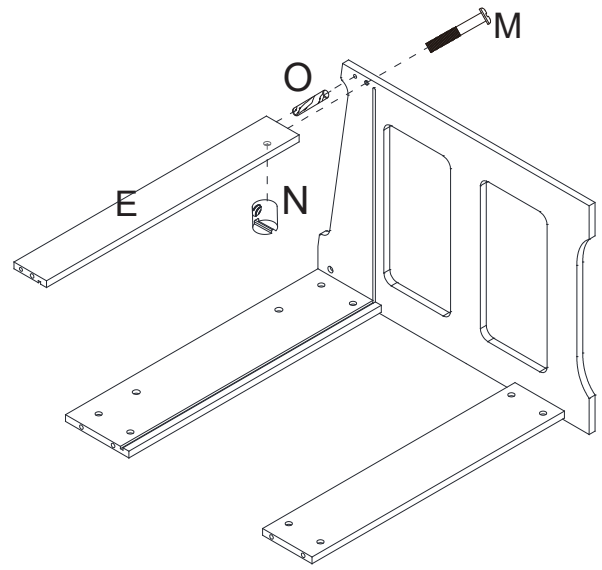
Step 6



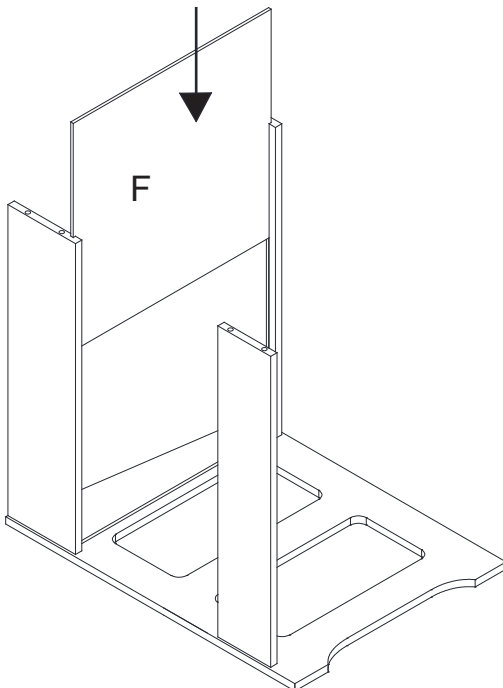
Step 8



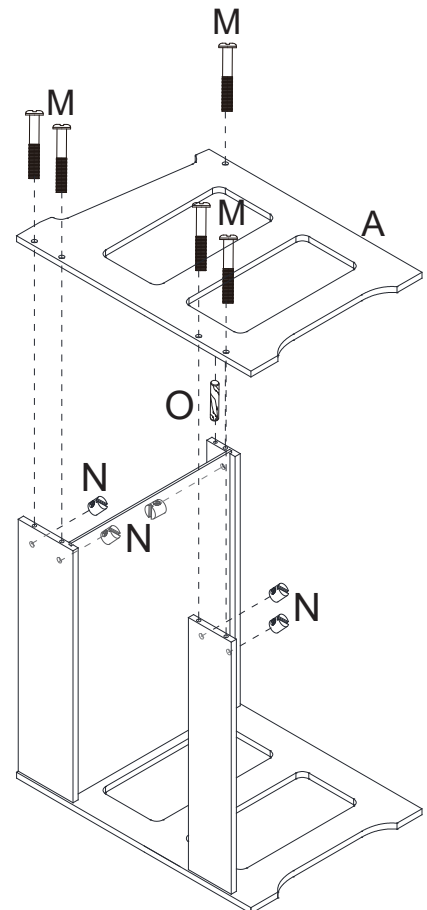
Step 9



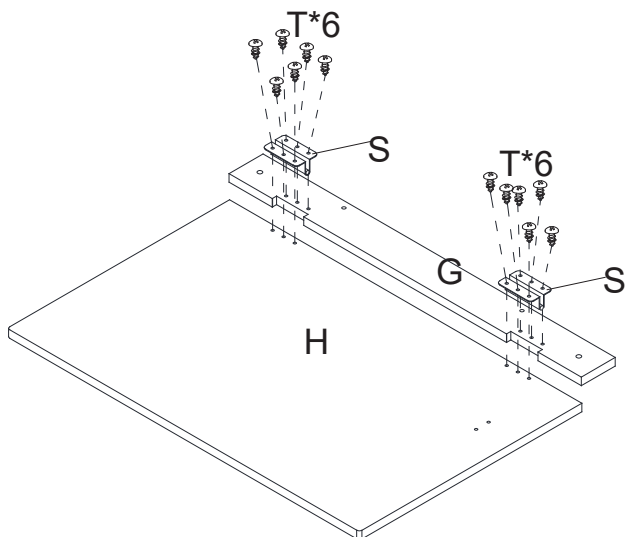
Step 10



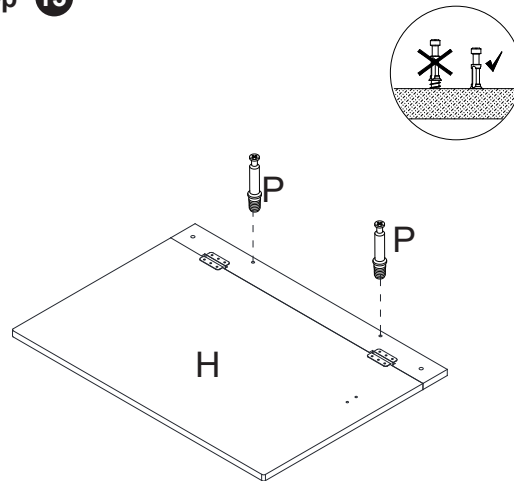
Step 11



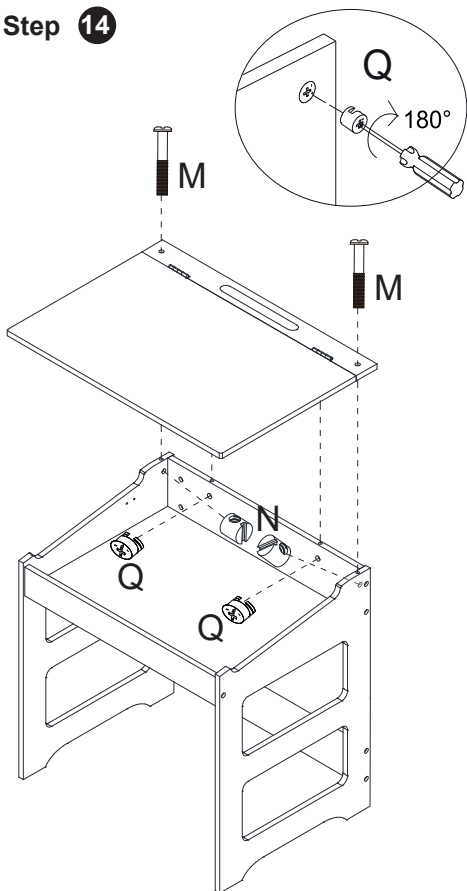
Step 12



Step 13



Step 14



Step 15

