

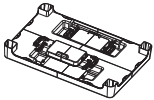

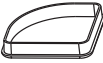






**General advice:** Please read the instructions carefully and confirm all components are present. Then assemble following the below instructions. We advise to keep the instructions after assembling.

**Storage:** Wipe clean with a damp cloth to ensure that the product is completely dry and tidy before storing. Store in a dry and ventilated area to prevent mildew.

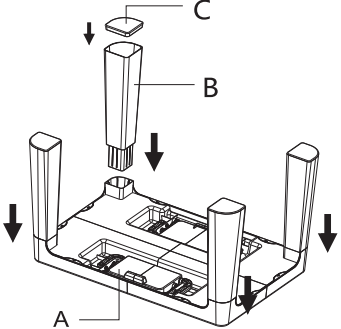
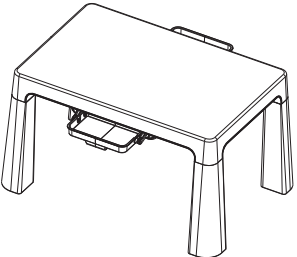
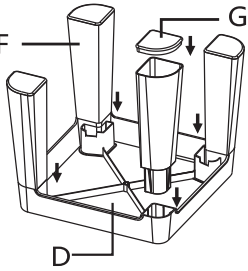
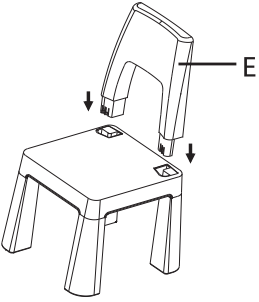
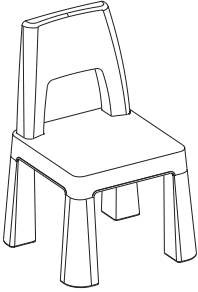
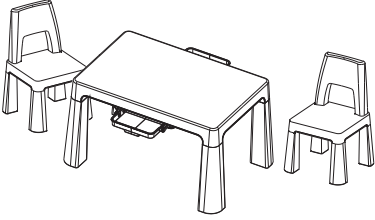
**Optional:** Anti-slip pads are supplied with the table and chairs (to reduce sliding and noise). These are self-adhesive and can be fixed to the base of the table legs and chair legs (Part B and Part F). These anti-slip pads are not suitable for outdoor use. However the table can still be used outdoors, just remove/prise off the table leg base (which anti-slip pads are adhered to) and replace it after outdoor use.

**Note:** Keep children away when assembling. We would recommend that children are not left unattended while using this product.

## PRODUCT COMPONENTS

Pictures	N0.	Qty	Pictures	N0.	Qty	Pictures	N0.	Qty	Pictures	N0.	Qty
	A	1		B	4		C	4		D	1
	E	2		F	8		G	4		Table non-slip pads	4
										Chair non-slip pads	8

## PRODUCT ASSEMBLY INSTRUCTIONS

		
1. Insert the table legs (B) into the slots on the back of the table board (A), and the footpads (C) into the table legs.	2. The table is fully installed.	3. Insert the chair legs (F) into the slots on the back of the seat plate (D), and the chair legs cushion (G) into the chair legs.
		
4. Place the chair on to a flat surface and insert the back of the chair (E) in to the area shown in the figure.	5. Chair Installation Completed.	6. Installation of finished product display.