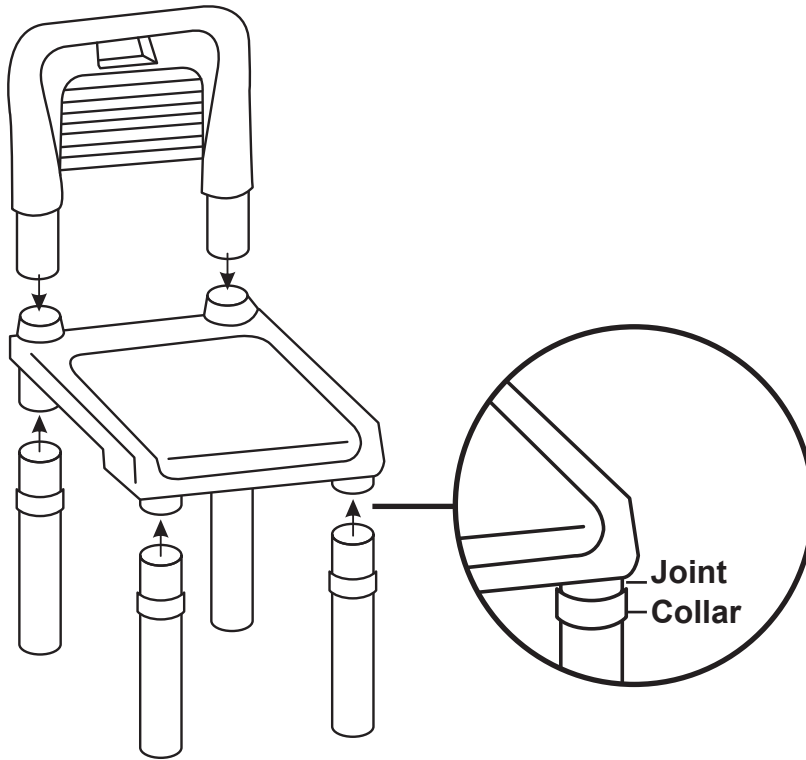


Fully insert all chair legs correctly.



Push with force to ensure the legs are fixed properly. The leg collar should sit firmly against the joint.

COMPLETE

