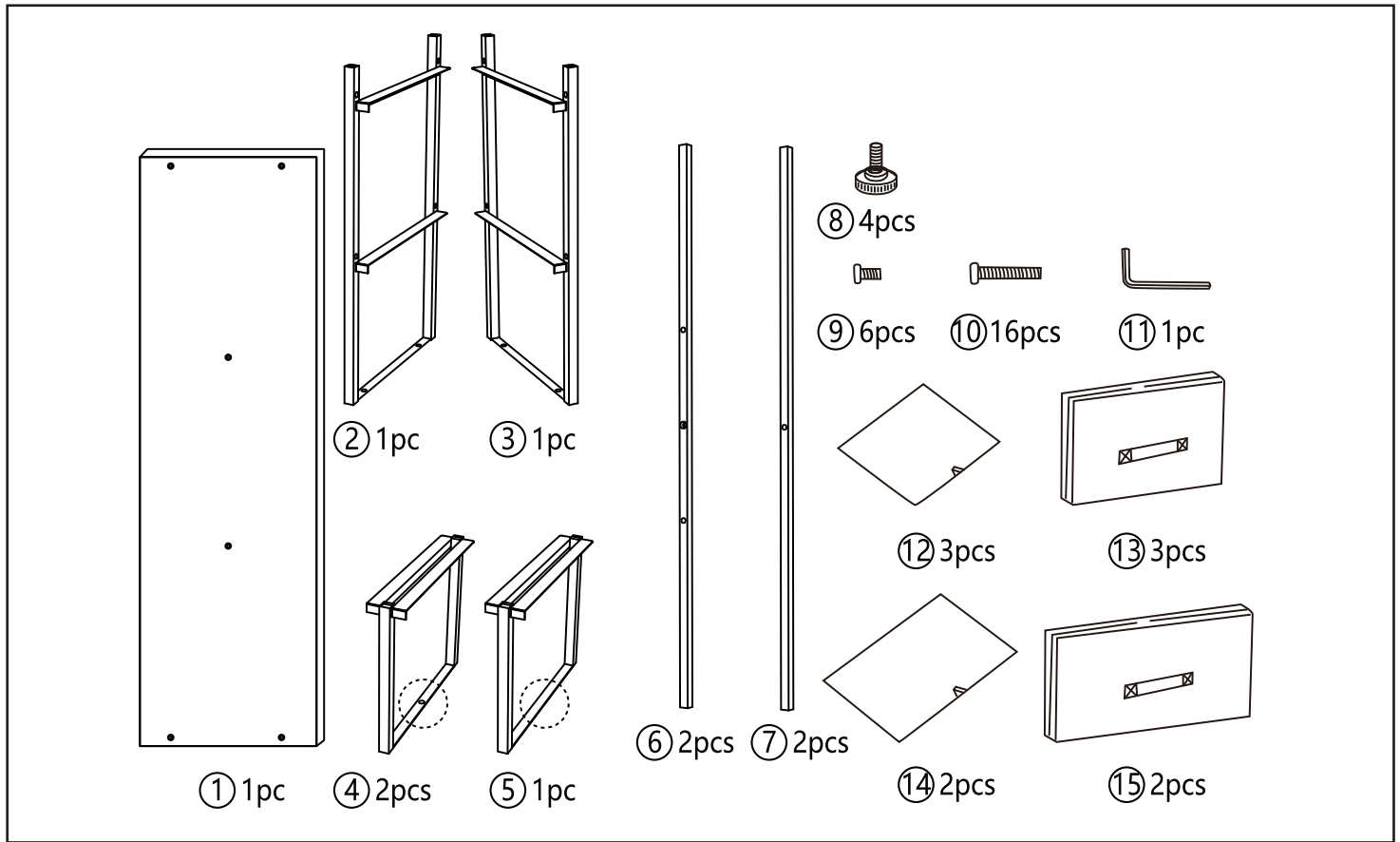


ASSEMBLY INSTRUCTIONS (please read carefully before assembly)

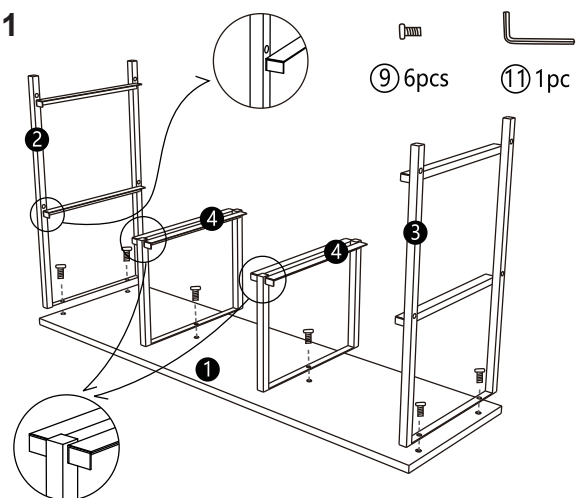


STEP BY STEP ASSEMBLY

Attention: Do not tighten the screws until you have completed assembly.

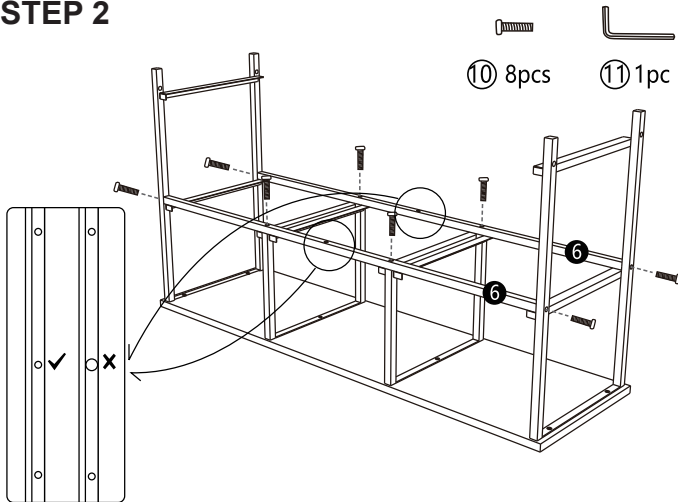
Please note: You may notice the top panel of this unit has a joint where the edging material is fixed/glued. When assembling the top of the unit you may want to ensure that this joint is at the back of the unit (towards the wall - rather than the front). This may just be slightly more pleasing to the eye.

STEP 1

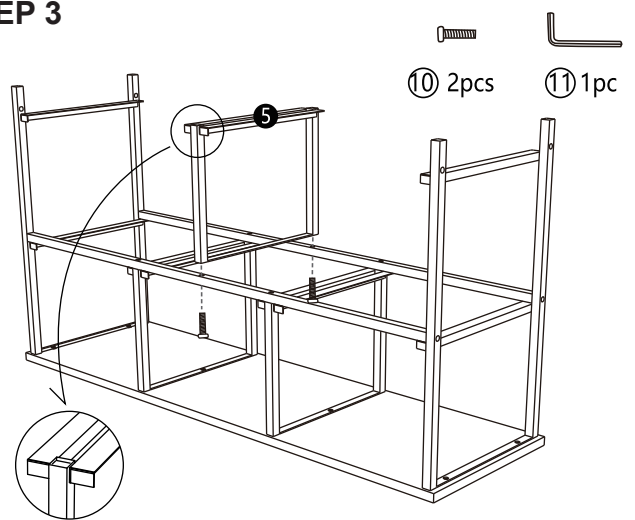


STEP BY STEP ASSEMBLY

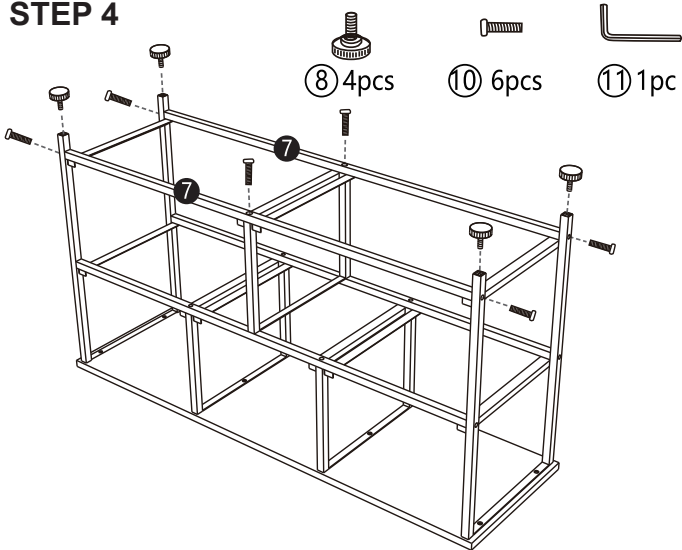
STEP 2



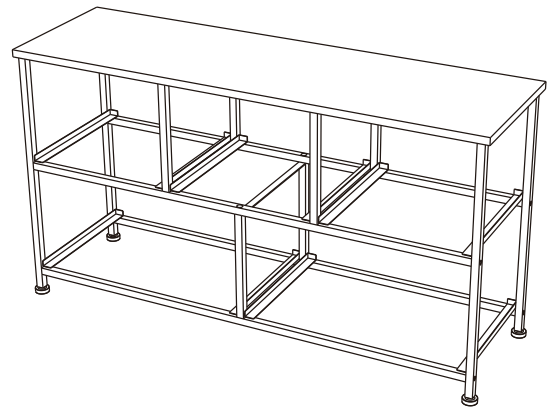
STEP 3



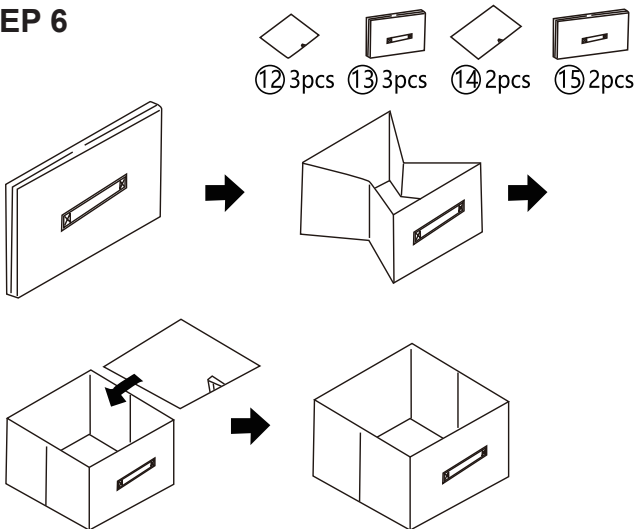
STEP 4



STEP 5



STEP 6



STEP 7 – FINISH

