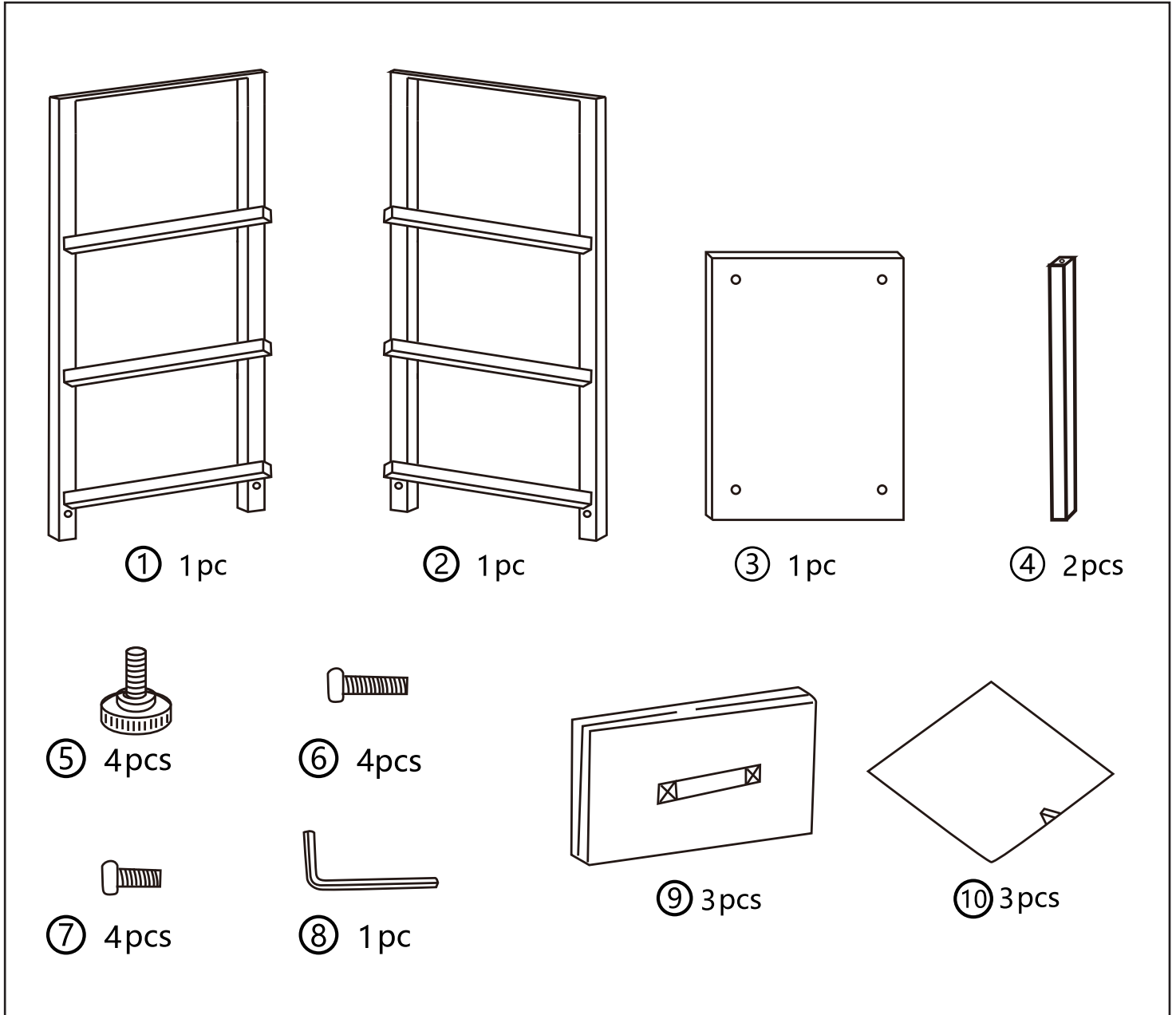


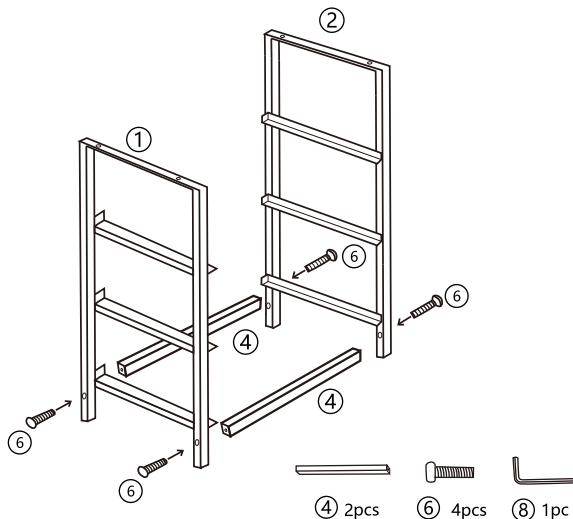
ASSEMBLY INSTRUCTIONS (please read carefully before assembly)

Attention: Do no tighten the screws until you have completed assembly.



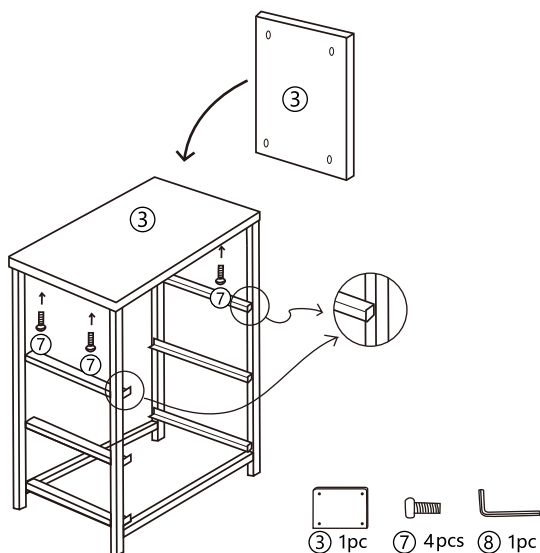
STEP BY STEP ASSEMBLY

STEP 1

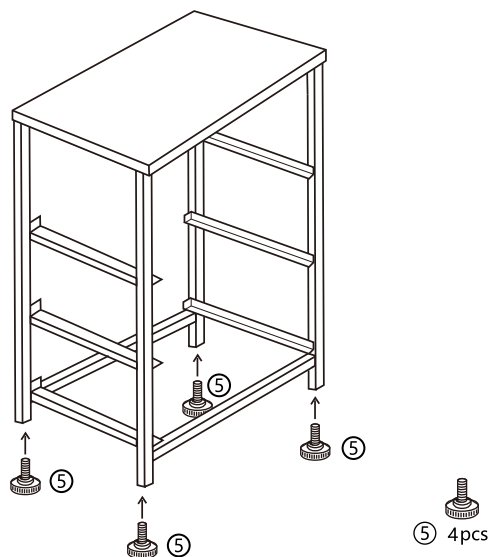


Please note: You may notice the top panel of this unit has a join where the edging material is fixed/glued. When assembling the top of the unit you may want to ensure that this join is at the back of the unit (towards the wall - rather than the front). This may just be slightly more pleasing to the eye.

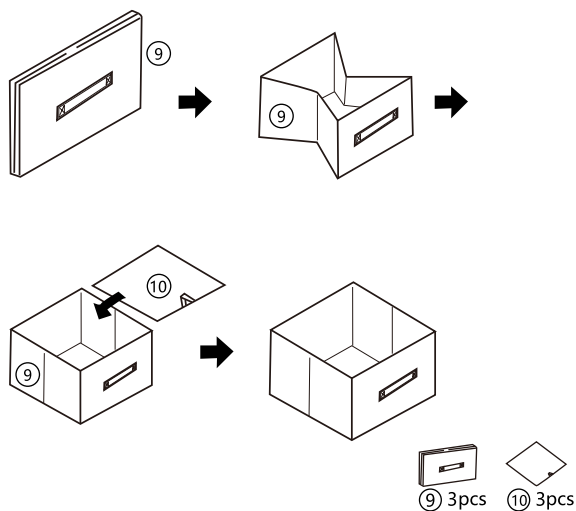
STEP 2



STEP 3



STEP 4



STEP 5 – FINISH

