

558 (same instructions different bins)



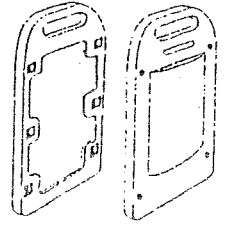
Model OR559 Assembly Instructions:

Please read instructions completely before assembling. Assemble on a carpeted or soft smooth area. Do not tighten screws until fully assembled. **Adult assembly required**

- 1- Locate snap and step taper of rod (B). Aligning snaps and open bottom push firmly to assembly long rod (B).
- 2- Insert 6 rods (B) into sockets located inside of one side panel (A).
- 3- Fasten **loosely** by hand with 4 plastic screws (C)
- 4- Insert the other end of the 6 rods (B) into the other side panel (A).
- 5- Fasten **loosely** by hand with 4 plastic screws (C).
- 6- Now tighten all 8 plastic screws securely with plastic wrench (D) provided. Save wrench for future use.
- 7- Apply decals (F) onto storage bins (E) for fun and easy identifications.
- 8- Insert storage bins into assembled rack (3 rows, 4 bins each row). Bins may be laid flat or tilted for ease of viewing. Have fun mixing the bin colors to your preference.

Parts list:

A - End panels (2)



B - Rods (12)



C - Plastic screws (8)



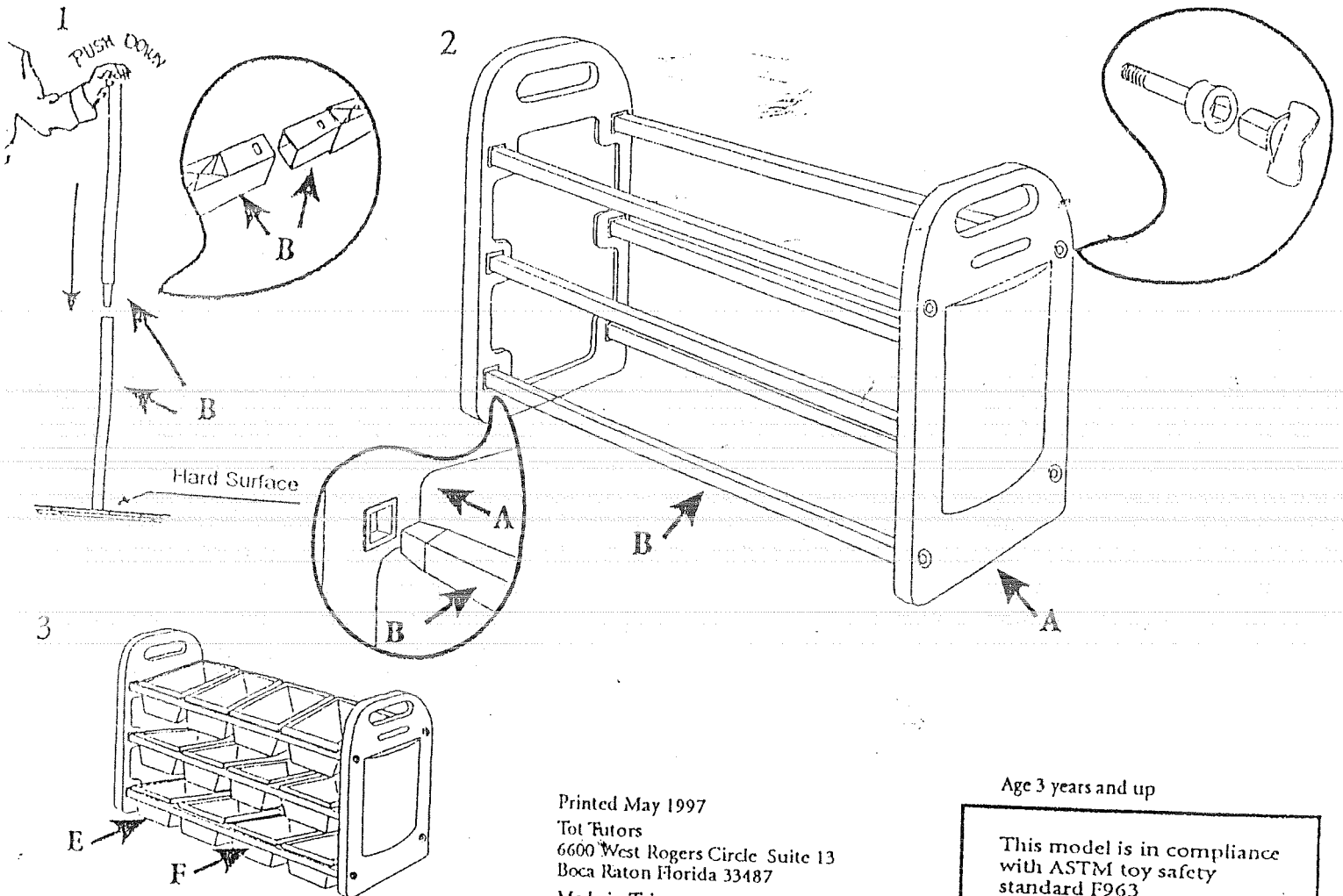
D - Plastic wrench (1)



E - Storage bins (12)
TRANSLUCENT



F - Decal sheet (1)



Printed May 1997
Tot Tutors
6600 West Rogers Circle Suite 13
Boca Raton Florida 33487
Made in Taiwan

Age 3 years and up

This model is in compliance
with ASTM toy safety
standard F963