

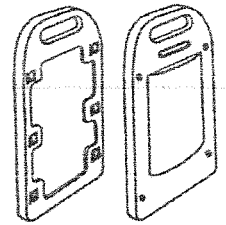
Model 512 (F) Assembly Instruction:

Please read instructions completely before assembling. Assemble on a carpeted or soft, smooth area. Do not tighten screws until fully assembled. Adult assembly required.

- 1-Locate snap and step taper of rod (B). Align snaps, open bottom, and push firmly to assemble to long rod (B).
- 2-Insert 6 rods (B) into sockets located inside of one side panel (A).
- 3-Fasten loosely by hand with 4 plastic screw (C).
- 4-Insert the other ends of the 6 rods (B) into the side panel (A).
- 5-Fasten loosely by hand with 4 plastic screws (C).
- 6-Tighten all 8 plastic screws securely with provided plastic wrench (D). Save wrench for future use.
- 7-Apply decals (F) onto storage bins (E) for fun and easy identification.
- 8-Insert storage bins into assembled rack (top 2 rows, 4 bins each row, bottom rows 2 double bins). Bins may be laid flat or tilted for easy viewing.

Parts list:

A-End panels (2)



B-Rods (12)



C-Plastic screw (8)



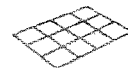
D-Plastic wrench (1)



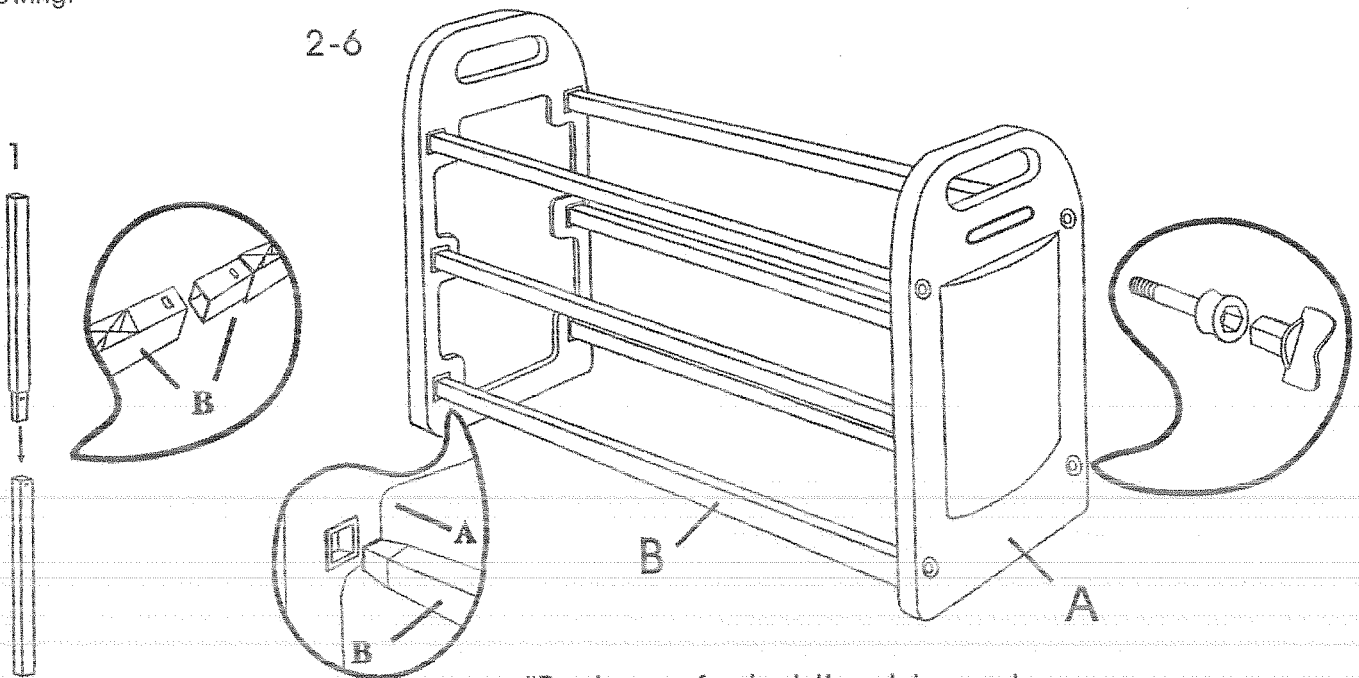
E-Single storage bins (12)



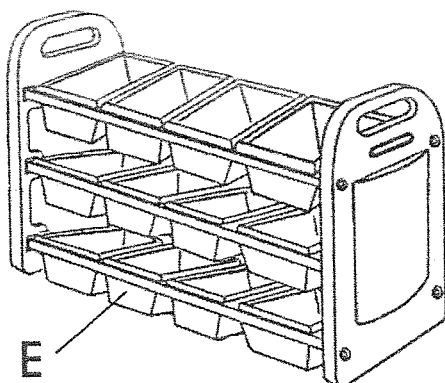
F-Decal sheet (1)



2-6



"Rods are for holding bins only.
Not for standing"



Made In Taiwan

Age 3 years and up

This model is in compliance with ASTM toy safety standard F963