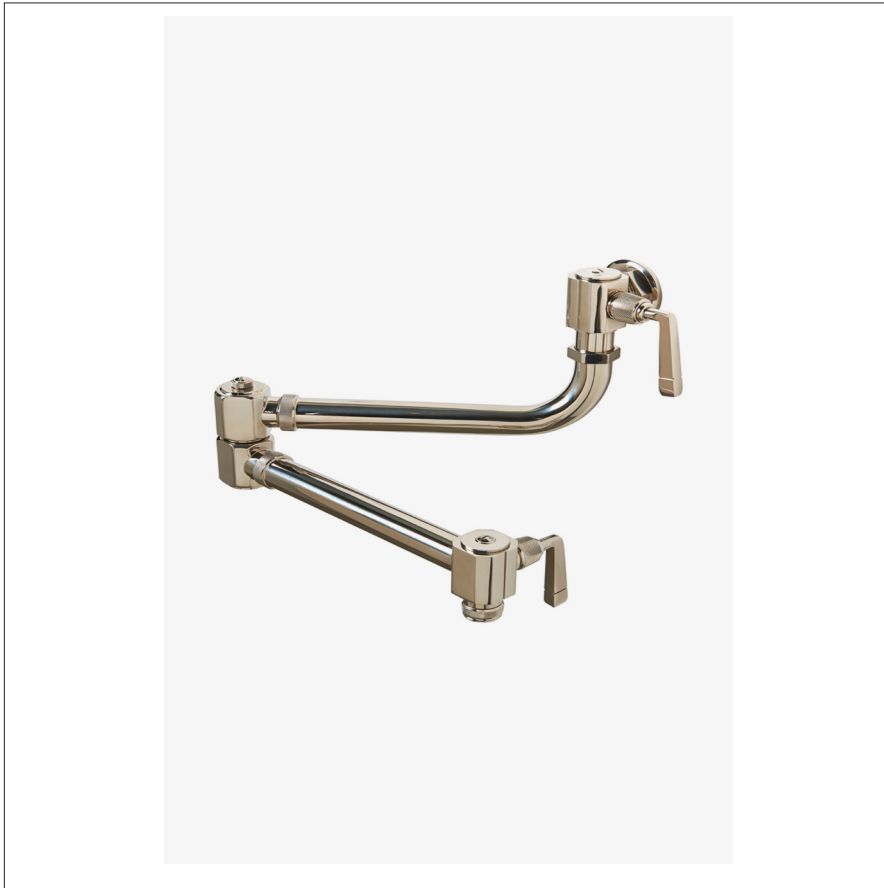


## R.W. ATLAS

RWPF10

R.W. Atlas Wall Mounted Articulated Pot Filler, Metal Lever Handles



SHOWN IN R.W. ATLAS WALL MOUNTED ARTICULATED POT FILLER, METAL LEVER HANDLES| RWPF10

### TECHNICAL DETAILS

Handle Turn Angle: Quarter Turn  
Depth / Width: 22 13/16"  
Height: 9 13/16"  
Inlet Connection Size: 1/2"  
Inlet Connection Type: Female NPT  
Installation Type: Wall Mounted  
Length: 4 3/16"  
Spout Swivel: Y  
Water Pressure Maximum: 85.0 psi  
Water Pressure Minimum: 20.0 psi  
Water Pressure Recommended: 45.0 psi

### INSPIRATION

Powerful shapes, genuine materials and unique aesthetic details. The original, impeccable vision of R.W. Atlas pairs American ingenuity with European craftsmanship.

### PRODUCT FEATURES

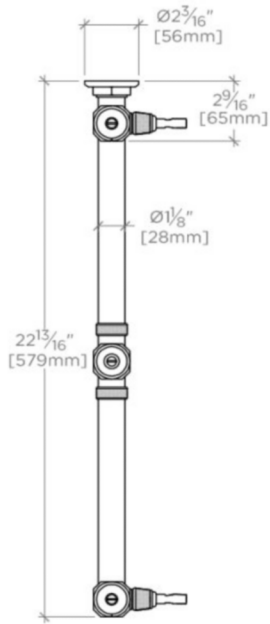
- Articulating Spout
- Quarter turn ceramic cartridges
- Dual valve wall mount pot filler
- Cold water only, non-mixing valve
- Smooth folding action for easy storage against the wall with one effortless motion

# WATERWORKS

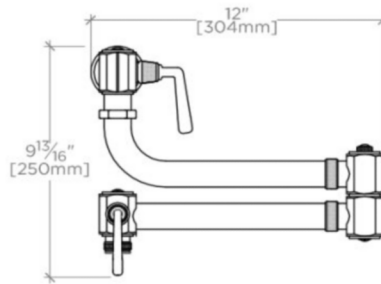
## R.W. ATLAS

## RWPF10

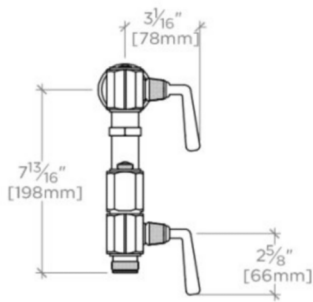
R.W. Atlas Wall Mounted Articulated Pot Filler, Metal Lever Handles



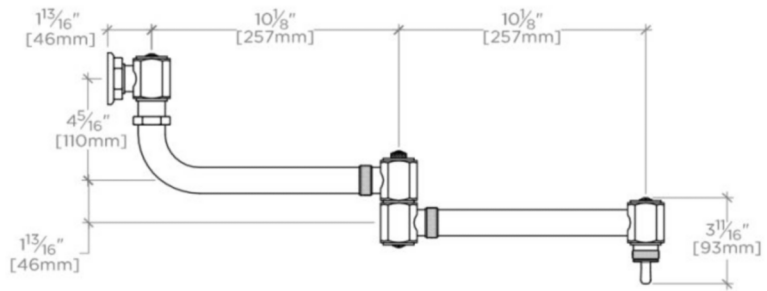
TOP VIEW SCALE:  $1\frac{1}{2}"=1'-0"$



FOLDED VIEW SCALE:  $1\frac{1}{2}"=1'-0"$



FRONT VIEW SCALE:  $1\frac{1}{2}"=1'-0"$



SIDE VIEW SCALE:  $1\frac{1}{2}"=1'-0"$