

FLYTE

Flyte Deck Mounted Exposed Tub Filler with Handshower and Metal Lever Handles

FLXT50



SHOWN IN FLYTE DECK MOUNTED EXPOSED TUB FILLER WITH HANDSHOWER AND METAL LEVER HANDLES| FLXT50

TECHNICAL DETAILS

ADA Compliance: Yes
 Adjustable versus Fixed Spray: Fixed Spray
 Deck Thickness Maximum: 1 5/16"
 Deck Thickness Minimum: 0"
 Diameter of Legs / Tubes: 1 9/16"
 Escutcheon Primary Material: Brass
 Fittings Hole Diameter: 1 1/4"
 Flow Restriction Options: 2.0, 1.75, 1.5, 0.92
 Handle Spread Maximum: 10 7/16"
 Handle Spread Minimum: 10 7/16"
 Handle Turn Angle: Quarter Turn
 Handshower / Spray Hose Length: 59"
 Depth / Width: 13 5/16"
 Height: 9 1/16"
 Inlet Connection Size: 3/4"
 Inlet Connection Type: Male NPT Adapter
 Inlet Supply Spread Maximum: 5 7/8"
 Inlet Supply Spread Minimum: 5 7/8"
 Installation Type: Deck Mounted
 Integrated Diverter: N
 Integrated Spray: N
 Length: 11 1/4"
 Number of Handles: Three
 Number of Holes: Two Hole
 Pivot: N
 Primary Material: Brass
 Spout Swivel: N
 Spray Included in Unit: N
 Suggested Application: Bath
 Valve Material: Ceramic
 Water Pressure Maximum: 85.0 psi
 Water Pressure Minimum: 20.0 psi
 Water Pressure Recommended: 45.0 psi

INSPIRATION

Pure Modernism. Like minimalist works of art, the elegant proportions of these light, fluid elements bring sculptural reference to a room.

CODES & STANDARDS

Code # FLTU50: State of MA

PRODUCT FEATURES

Lever Handles

This item is stocked in a Chrome and Nickel finishes.

Includes deck unions

Stocked in 2.0gpm (7.6 L/min) and 1.75gpm (6.6 L/min) for handshower. State of California requires 1.75gpm (6.6 L/min) to comply with their water conservation requirements. Other flow options are available to order, contact your sales associate or call 1 (800) 899-6757 for details.

CERTIFICATIONS



PRODUCT (NOTES)

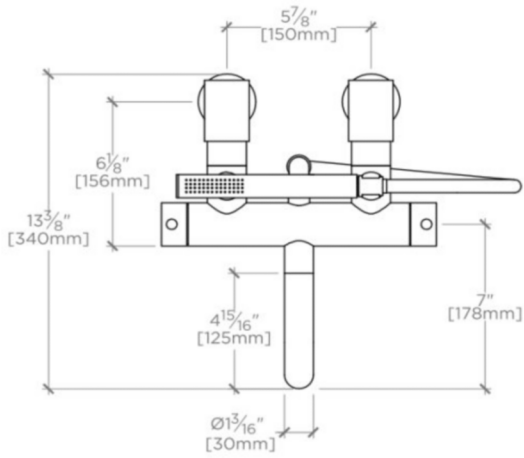
Includes deck unions.

WATERWORKS

FLYTE

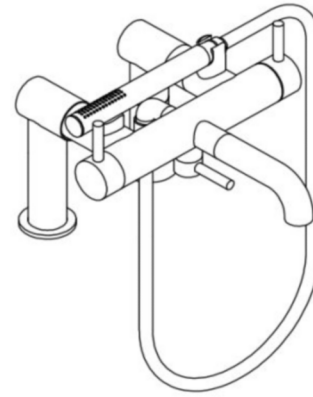
FLXT50

Flyte Deck Mounted Exposed Tub Filler with Handshower and Metal Lever Handles



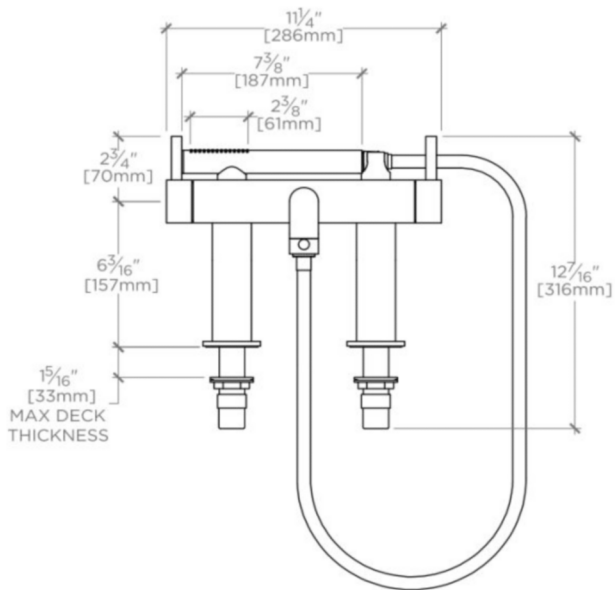
TOP VIEW

SCALE: 1/2"=1'-0"



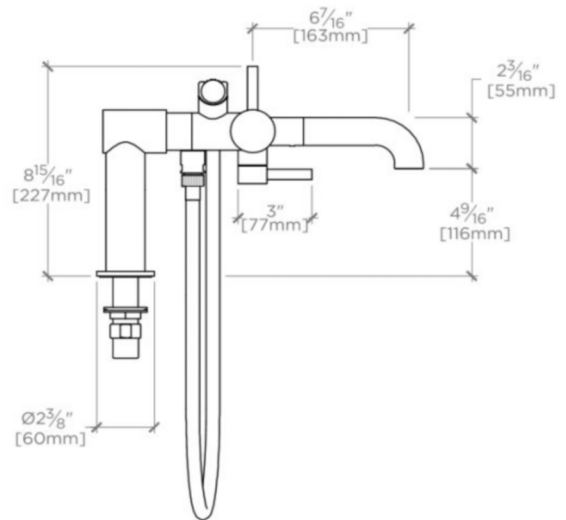
ISO VIEW

SCALE: 1/2"=1'-0"



FRONT VIEW

SCALE: 1/2"=1'-0"



SIDE VIEW

SCALE: 1/2"=1'-0"