

38 001 668



**Washbasin Specifications**

- Sink Ø 11"
- No overflow
- Drain not closable
- White glazed steel surface
- White drain cap
- Matte black powder coat frame and siphon cover
- Glass shelf
- Dimensions 23-5/8 x 21-1/2 x 14-1/8 "
- Weight 55 lbs

**Faucet Specifications**

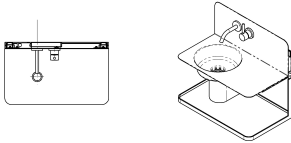
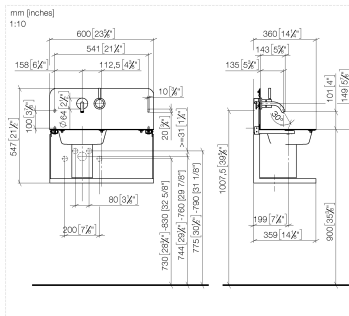
- 5-3/8" Projection
- Finish black matte (-33)
- Rigid spout
- Round aerated stream
- 2-1/2" diameter flange for spout
- Diameter flange for mixer 2-1/2"
- Water flow rate limited to max. 1.2 gpm
- lead-free
- 2 x pressure hose with 3/8" compression fitting

Note: Please follow local regulations when locating angle stops inside vs. outside of the siphon cover.

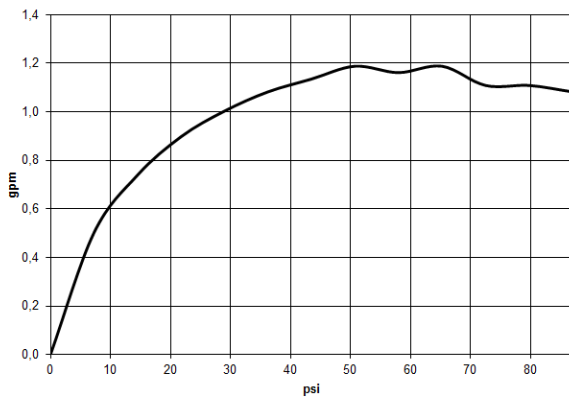
Brackets and hanger bolts for mounting to wood bracing included.

For alternate materials, hardware should be supplied by the installer.

38 001 668



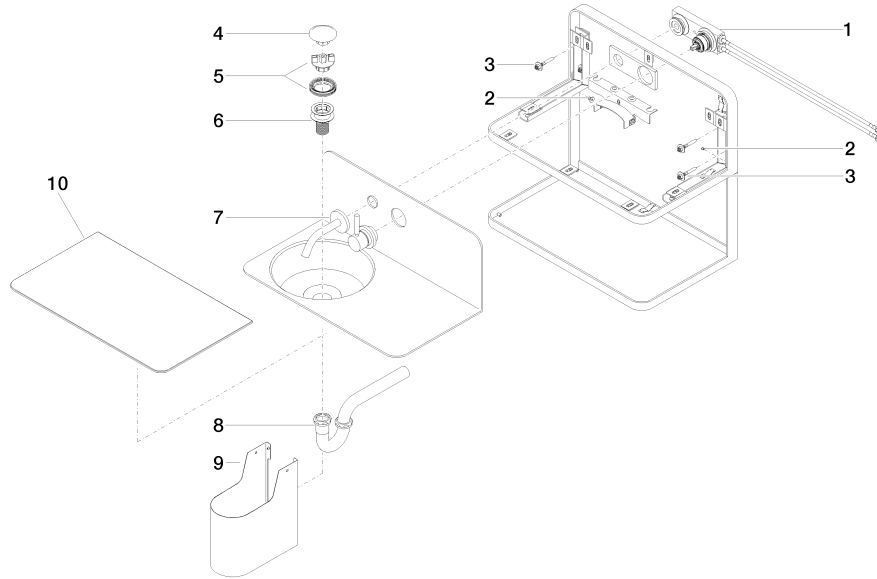
**Flow rate chart**



**Certificates**

IAPMO\_7899.

38 001 668



### Spare parts list

Number	Item Number	Designation	Number of units	Lead time
1	35 817 970-90 0010	pre-installation	1	60
2	90 23 10 002 00 90	fixing set	1	2
3	90 23 10 001 00 90	fixing set	1	2
4	90 11 01 027 00-12	lid	1	30
5	90 14 03 001 00 90	gasket kit	1	2
6	90 11 01 007 00 90	valve	1	2
7	36 811 668-33 0010	fitting	1	60
8	90 28 23 002 00 90	pipng	1	2
9	90 11 01 028 00 90	cover	1	2
10	90 10 01 239 00 90	shelf	1	2