



**Caxton® Rectangle**  
Under-mount Bathroom Sink  
**K-20000**

**Features**

- Rectangular basin.
- Overflow drain.

**Material**

- Vitreous china.

**Installation**

- No faucet holes; requires wall-or counter-mount faucet.
- Undermount.

**Recommended Products/Accessories**

- K-23726 Drain treatment
- K-23725 Cast iron cleaner

**Included Components**

- Product consists of:
- 1193643 Basin clamps



**ADA** **CSA B651**

**Codes/Standards**

- ASME A112.19.2/CSA B45.1
- ADA
- ICC/ANSI A117.1
- CSA B651

**KOHLER® One-Year Limited Warranty**

See website for detailed warranty information.

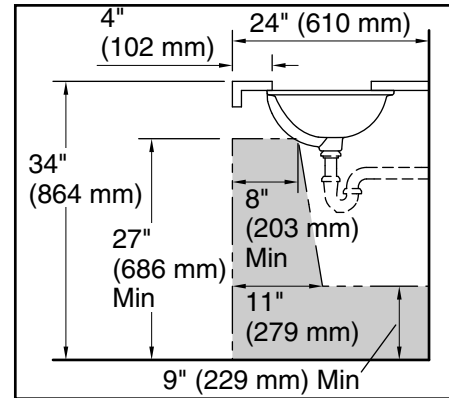
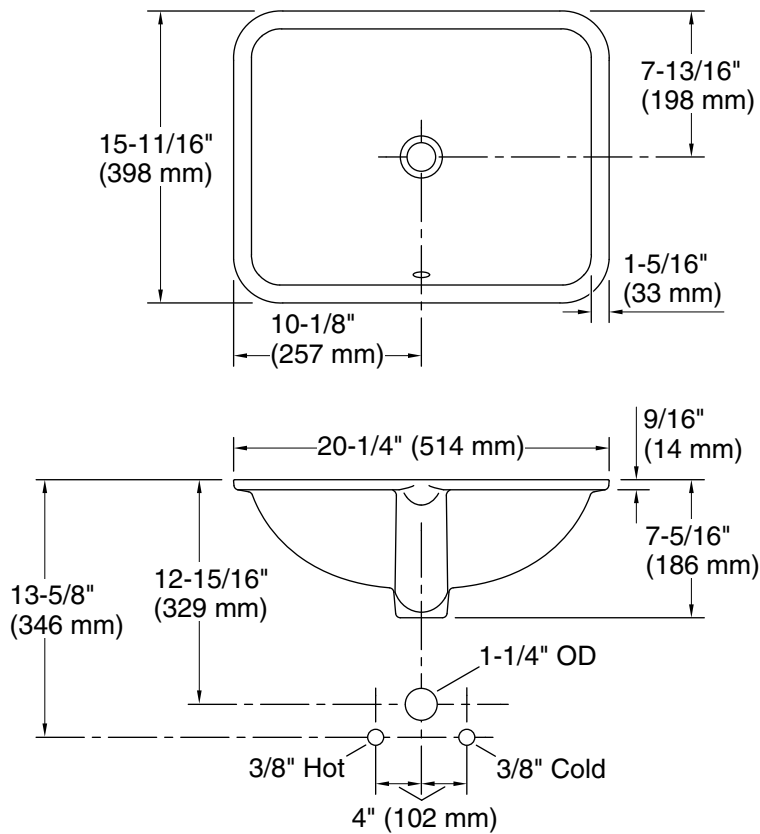
**Available Colors/Finishes**

*Color tiles intended for reference only.*

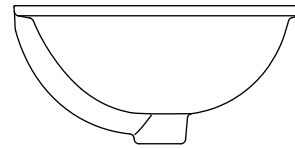
Color	Code	Description
	0	White
	96	Biscuit
	47	Almond
	NY	Dune
	95	Ice™ Grey
	G9	Sandbar
	K4	Cashmere
	58	Thunder™ Grey
	7	Black Black™



**Caxton® Rectangle**  
Under-mount Bathroom Sink  
**K-20000**



**Recommended ADA Installation**



**Technical Information**

All product dimensions are nominal.

- Installation: Under-mount
- Bowl area: Length: 17-5/8" (448 mm)  
Width: 13-1/8" (334 mm)  
Bowl depth: 5-5/16" (135 mm)  
Water depth: 3-5/8" (93 mm)
- Drain hole: 1-3/4" (44 mm)
- Template: Under-mount, 1281904-7, required, not included

**Notes**

- Install this product according to the installation instructions.
- Countertop manufacturer or cutter must use the cut-out template provided with the product, or a current one provided by Kohler Co. (call 1-800-43-FOCUS). Kohler Co. is not responsible for cut-out errors when the incorrect cut-out template is used.
- ADA, CSA B651 compliant when installed to the specific requirements of these regulations.