



## Sink - LULU

Single-lever lavatory mixer with drain - platinum matte

Article number: 33 500 710-06 0010



- 6-1/8" Projection
- US drain with overflow
- Rigid spout
- Round aerated stream
- Total height 4-1/2"
- Height to aerator/spout outlet 3-1/2"
- 1-3/8" hole diameter
- 2x 10 mm flexible supply lines including 3/8" US adapters
- Water flow rate limited to max. 1.2 gpm
- lead-free
- In order to compensate for the disproportionately high increase in the cost of materials, we are unfortunately forced to charge a precious metal surcharge of 10% for this article as from 1st June 2020.
- The surcharge is not included in price shown.
- (ADA)
- Suitable only for basins with overflow.



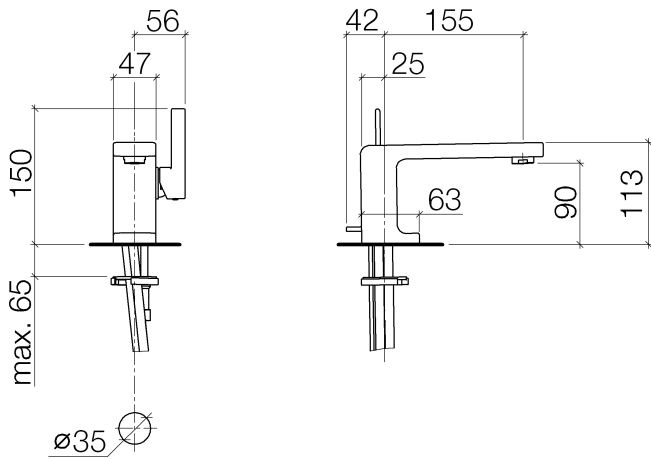
platinum matte





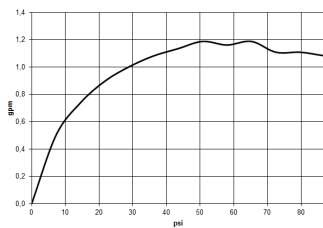
Sink - LULU  
Single-lever lavatory mixer with drain - platinum matte  
Article number: 33 500 710-06 0010

### Dimensional drawing



All dimensions in mm / inch = mm x 0,0394

### Flow rate chart





**Sink - LULU**  
**Single-lever lavatory mixer with drain - platinum matte**  
 Article number: 33 500 710-06 0010

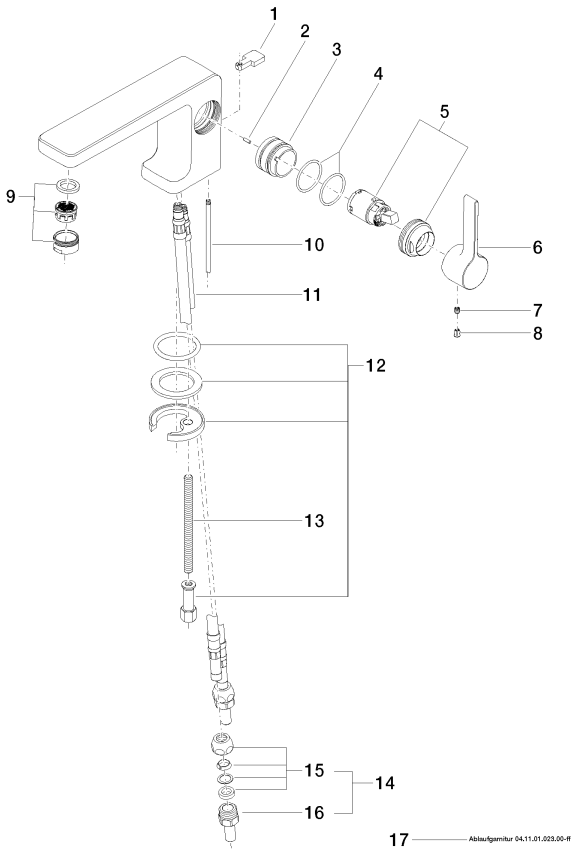
**Other surface finishes**



polished chrome  
 33 500 710-00 0010

More custom finish options are available via special production (xTra Service). Please see our finish matrix for availability and pricing or contact a Dornbracht representative.

**Spare parts list**



Number	Item Number	Designation	Number of units
1	09 20 71 030-06	handle	1
2	09 31 11 111 90	pin	1
3	09 18 40 095 10 90	sleeve	1
4	09 14 10 137 90	seal	2
5	90 15 05 041 00-06	cartridge	1
6	09 20 71 040-06	handle	1
7	09 31 11 030 90	pin	1
8	09 31 20 017 90	plug	1
9	90 23 01 118 04-06	aerator	1
10	09 31 09 080-06	pull-rod	1
11	04 30 04 018 00 90	hose	2
12	04 30 11 038 75 90	fixing set	1
13	09 31 11 012 90	pin	1
14	04 24 04 222 00-06	adaptor	2
15	04 23 30 031 01-07	threaded connector	2
16	09 24 04 222 10-06	adaptor	2
17	04 11 01 023 00-06	Drain - platinum matte	1