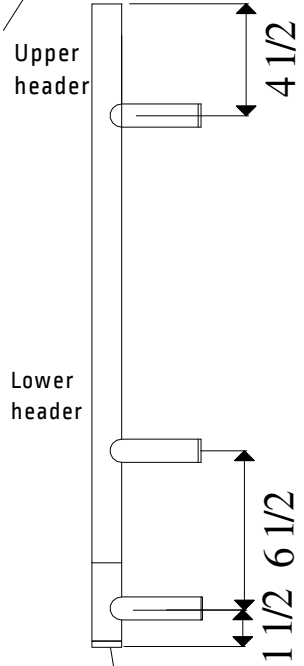
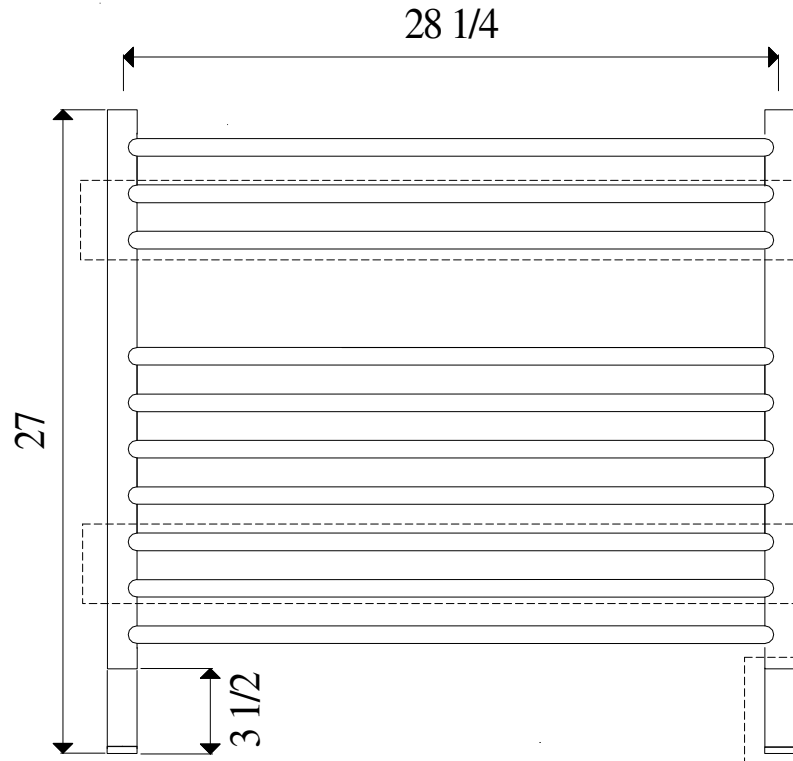


For construction with wall studs on 16 in. centers, the header is located between the studs for the right side mounting. For construction with wall studs on centers greater than $9\frac{1}{2}$ in. provide secure header as shown.



Wire cover tube fits into centre of cover plate which fits over single gang box

JEEVES MODEL K STRAIGHT