

**PRESSURE BALANCE OUTDOOR SHOWER WITH FOOT RINSE & 10" SHOWER HEAD**

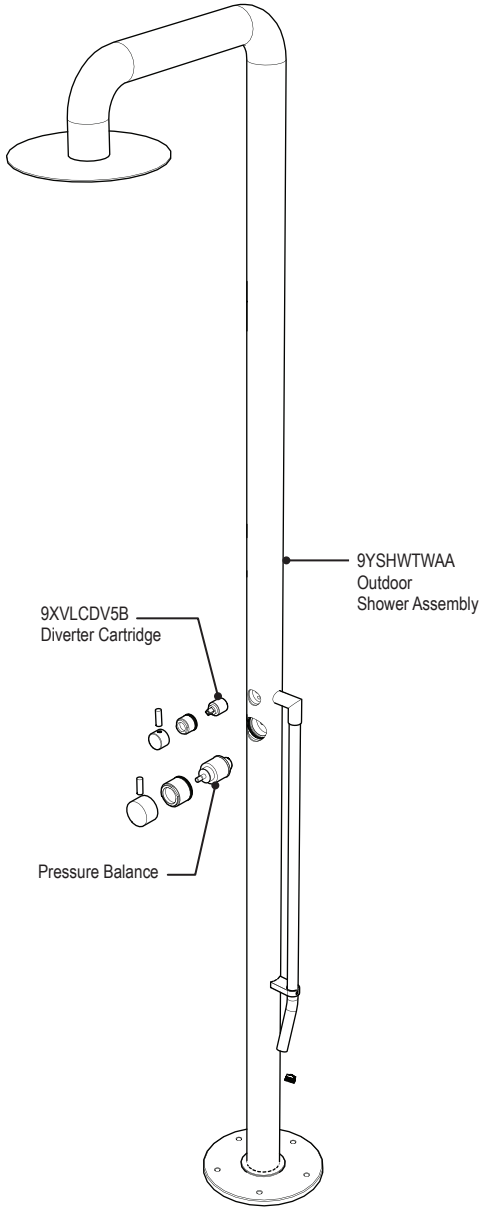


**9HSH1**

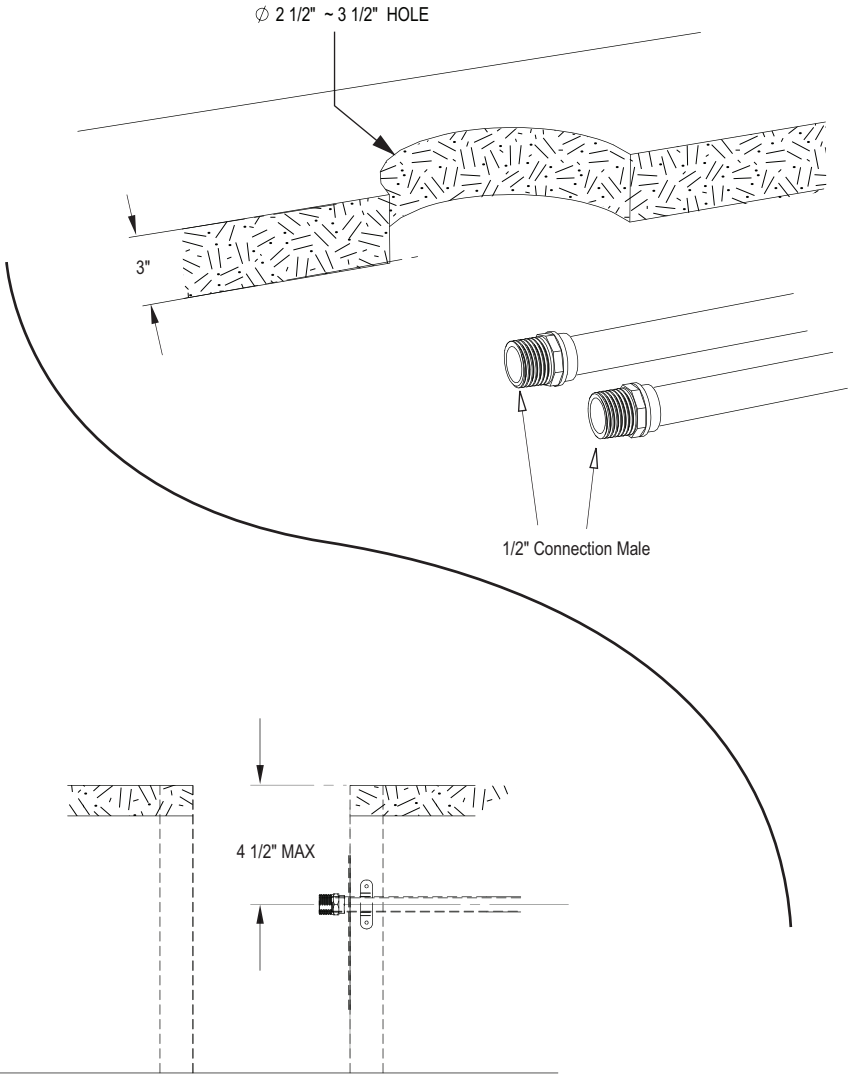
**\* WINTERIZING**

It is recommended that a shut-off valve be installed in the water line going to the outdoor shower connection where freezing temperature can occur. Accessoires can be removed and other parts partially disassembled for complete protection against freeze damage.

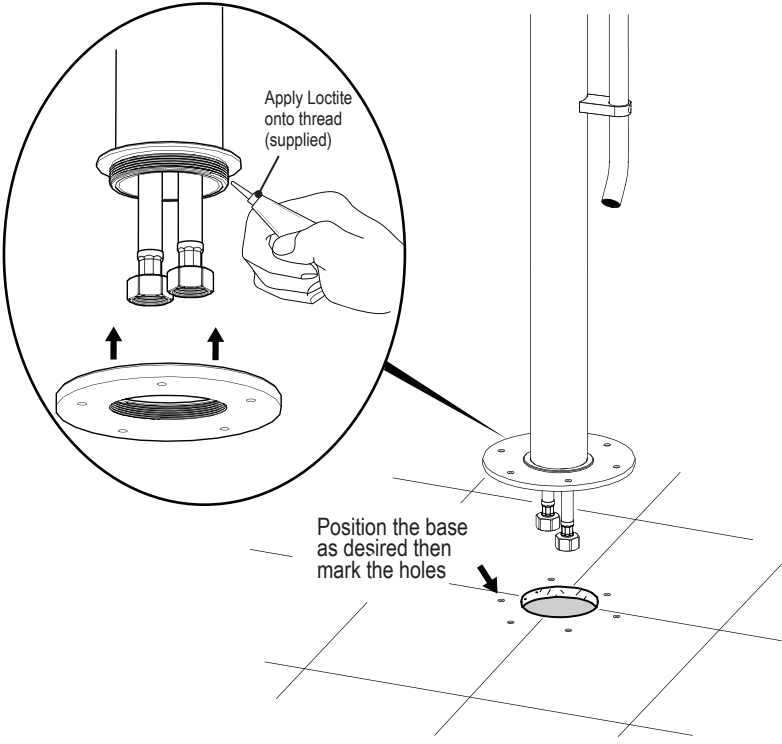
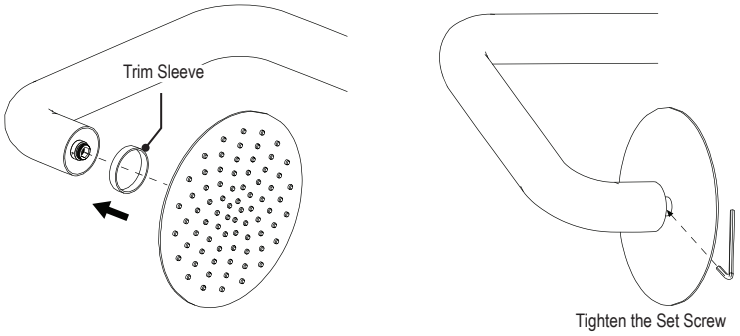
---



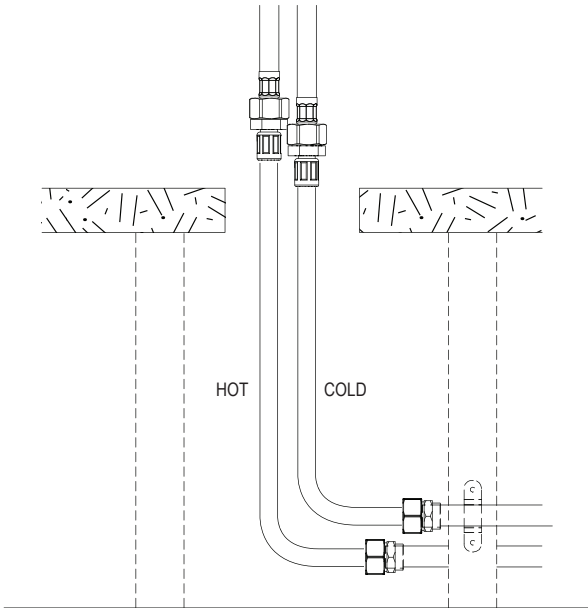
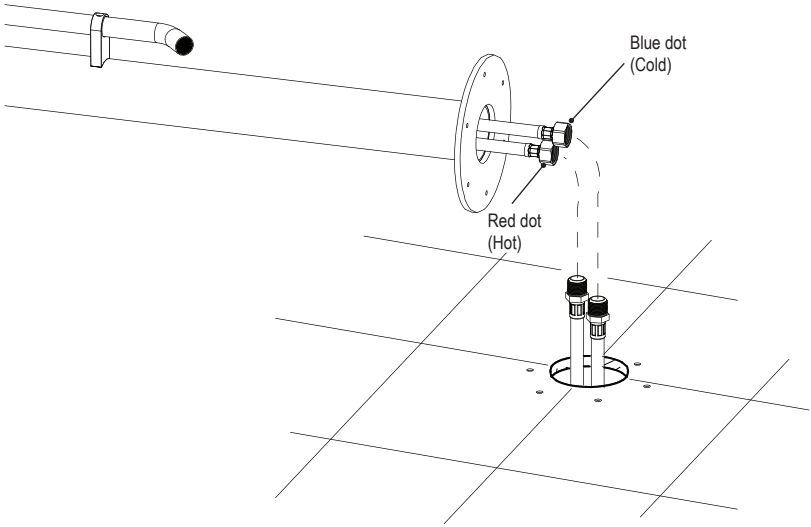
1



2

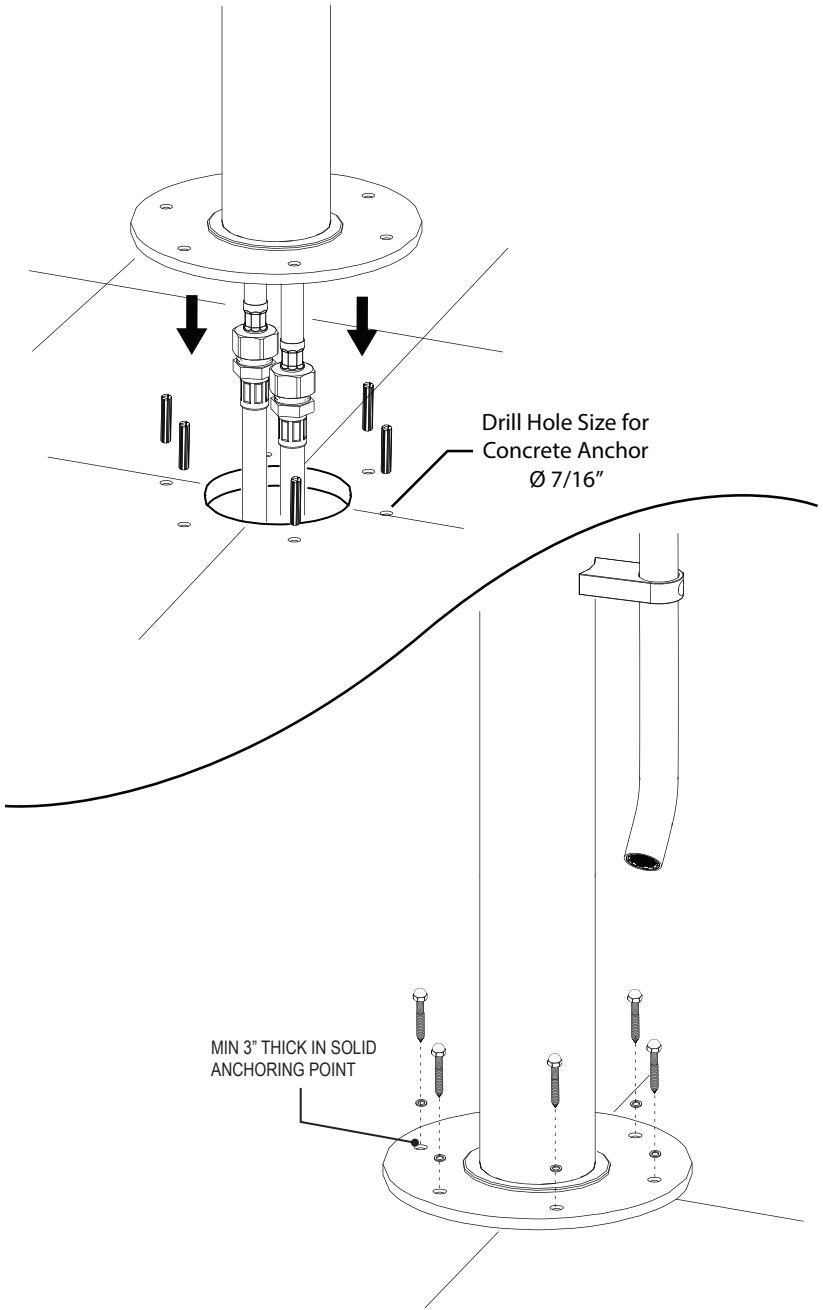


3



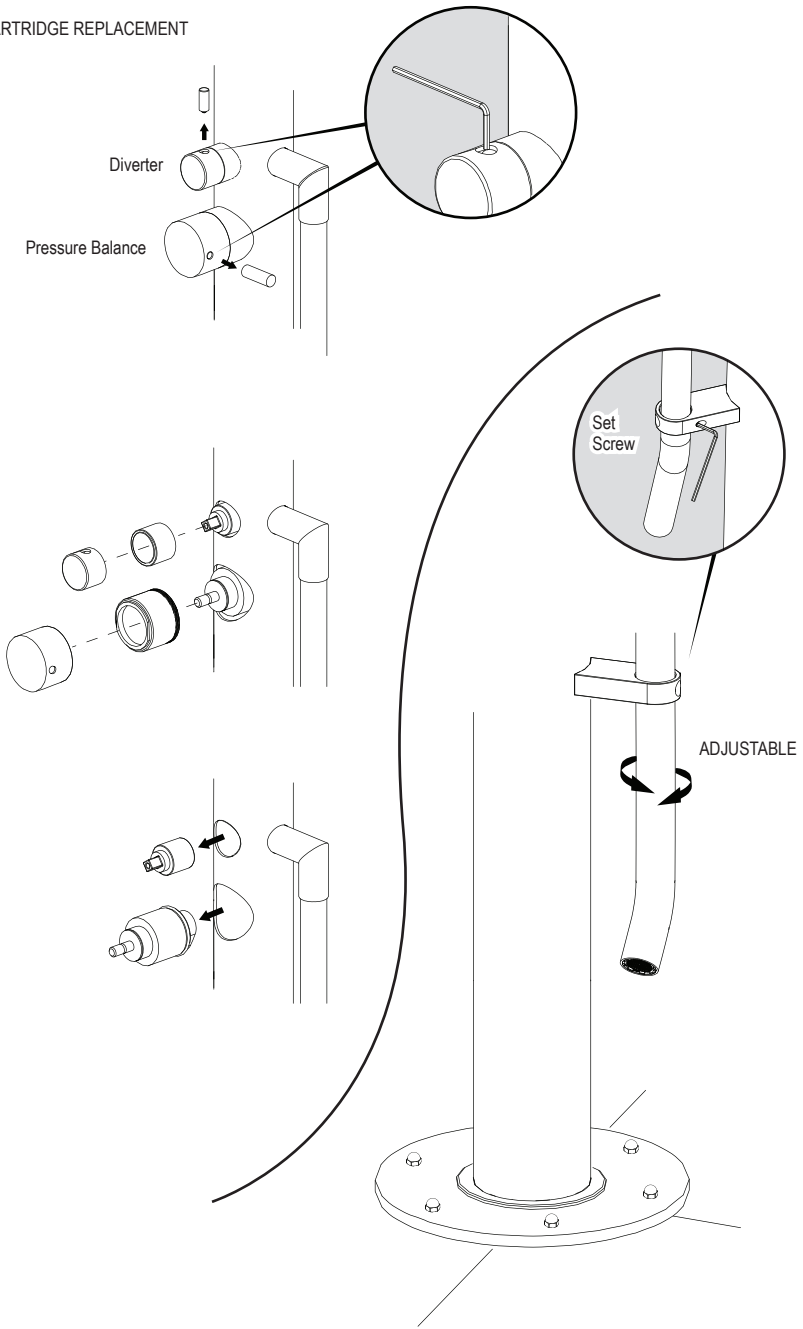
\* Connect the supply hose with the BLUE dot to the COLD water pipe.  
Connect the supply hose with the RED dot to the HOT water pipe.

4



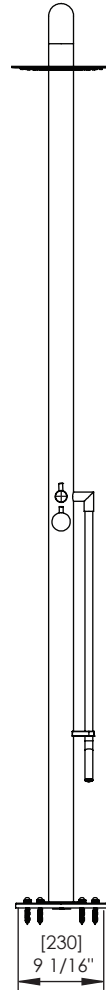
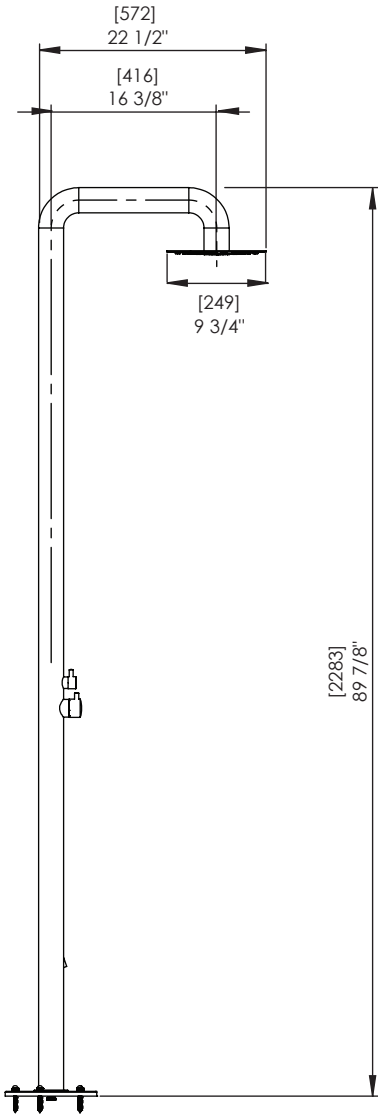
5

CARTRIDGE REPLACEMENT



**FEATURES:**

- Pressure Balance
  - Foot rinse
  - 10" Shower Head (Flow rate : 2.5 gpm @ 50 psi)
  - Material AISI 304 Stainless Steel
- Conforms to ASTM A312-51T



**CONTACT US:**

If you need assistance with installation, replacement parts or have any questions regarding your Rubinet product, please call a Customer Service representative at: 905-851-6781 toll free 1-800-461-5901 or visit [www.rubinet.com](http://www.rubinet.com)