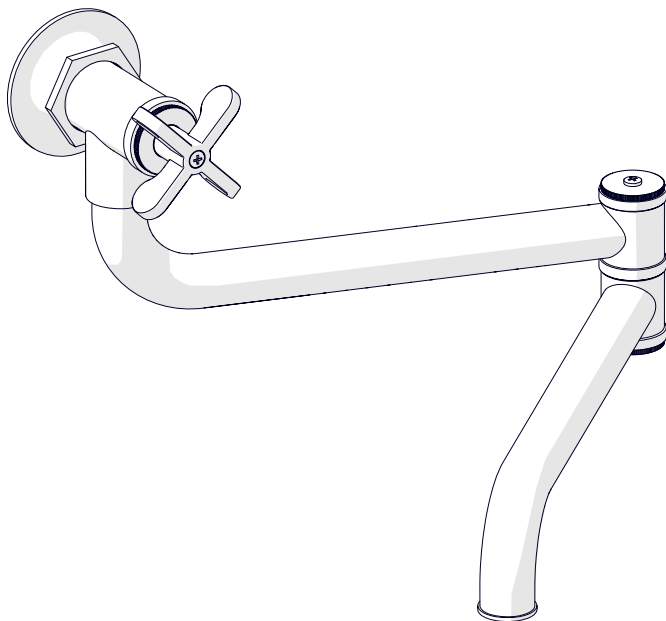


STYLE No. HNPF01†



SPECIFICATIONS:

Fittings Hole Diameter: $\varnothing 1\text{-}1/4\text{'}$ (32mm)
Handle Turn Angle: Quarter Turn
Inlet Connection Size & Type: $1/2\text{'}$ Female NPT†
Spout Reach: $21\text{-}3/4\text{'}$ (552mm)
Spout Swivel: Yes
Water Pressure Minimum: 20 psi (1.4 Bar)
Water Pressure Maximum: 80 psi (5.5 Bar)
Water Pressure Recommended: 45 psi (3 Bar)

† UK Style No. **HN01PF** is supplied with a **BSP** adapter, assembly required.

IMPORTANT:

- To ensure this product is installed properly, you must read and follow these guidelines.
- The owner/user of this product must keep this information for future reference.
- This product must be installed by a professional licensed contractor.
- Be sure your installation conforms to all federal, state, and local codes.
- In the State of Massachusetts, all installations must comply with the rules and regulations set forth within 248 CMR.
- This product must be on-site prior to rough-in. This allows the installer to visualize the installation and verify dimensions.
- Inspect the product to ensure you have all the parts required for proper installation.

- Use only a strap wrench or protected/smooth-jaw wrench on any finished surface.
- **DO NOT** use putty. Putty contains oil and can cause permanent discoloration on certain materials such as marble, granite and any porous surface.
- Refer to the specification and assembly drawings attached. Product is sold partially assembled but shown fully disassembled for illustrative and service purposes only.
- Check incoming water pressure.
- **NOTE: The screws on the face of the handle & on the spout swivel are purely aesthetic. DO NOT REMOVE.**

ROUGH-IN:

1. Determine the ideal location based on the clients preference and install adequate blocking to properly support the inlet supply and MOUNTING HARDWARE.
 2. Finish the rough-in by installing a well supported $1/2\text{'}$ male NPT connection. The inlet supply must project $1/2\text{'}$ to $3/4\text{'}$ from the finished wall. See FIGURE - 01.
- **REQUIRED:** The $1/2\text{'}$ male NPT connection **must** be secure, plumb and level. Failure to properly secure the pipes will cause the POT FILLER to sit crooked.

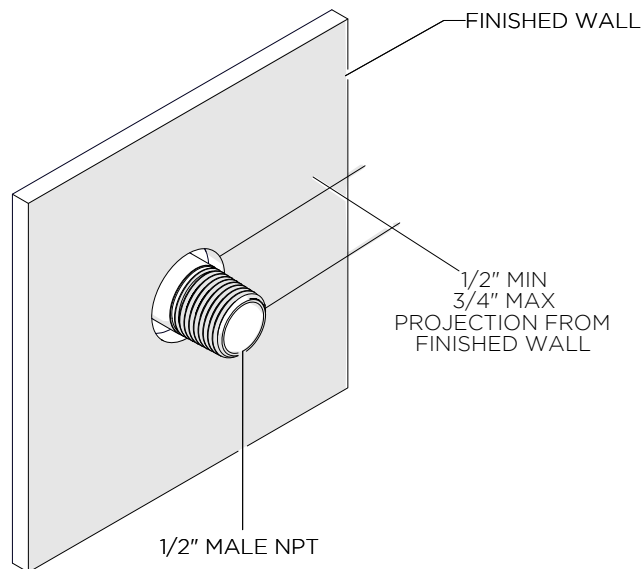


FIGURE - 01

3. Make sure a $\varnothing 1\text{-}1/4\text{'}$ (32mm) hole is cut in the finished wall to allow for proper mounting.

INSTALLATION:

4. Install the MOUNTING PLATE on the finished wall using the SCREWS provided. Install the appropriate ANCHORS (not supplied) based on the mounting surface material. See FIGURE - 02.

These guidelines have been prepared for the professional contractor to aid in the installation of:
HENRY WALL MOUNTED ARTICULATED POT FILLER WITH METAL CROSS HANDLE
(STYLE No. HNPF01, HN01PF UK)
All dimensions are based on original specification and are subject to change and variation.
Please consult your Design Associate for current specifications.

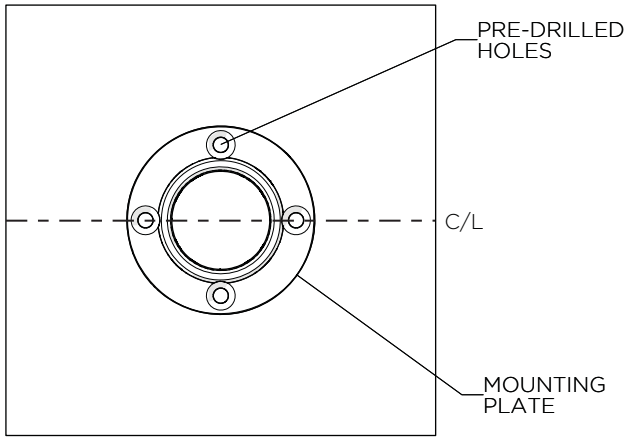


FIGURE - 02

- Slide the ESCUTCHEON and HEX COLLAR against the VALVE BODY and loosen the 4 SET SCREWS on the MOUNTING PLATE, then thread the POT FILLER onto the 1/2" male NPT connection. Make sure to securely tighten the POT FILLER. See FIGURE - 03.

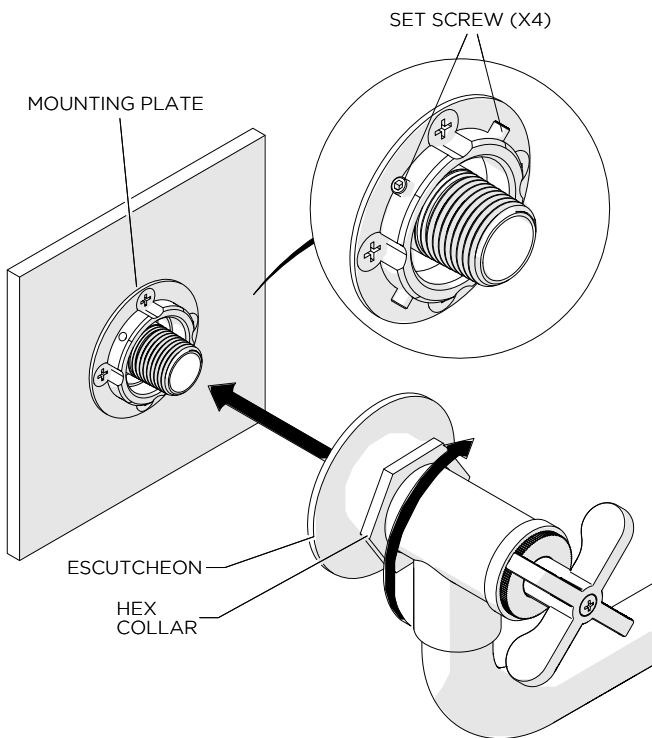


FIGURE - 03

- Securely tighten the SET SCREWS. The SET SCREWS will prevent the POT FILLER from rotating.
- Slide the ESCUTCHEON over the MOUNTING PLATE then slide the HEX COLLAR against the ESCUTCHEON to hold the ESCUTCHEON against the finished wall.

- If desired, a bead of caulk or a clear silicone may be applied where the escutcheons contact the finished wall. DO NOT use putty.*
- Remove the AERATOR from the SPOUT using the TOOL provided then open the inlet supply water and carefully turn HANDLE ASSEMBLY to flush out any debris in the supply lines. See FIGURE - 04.
- Inspect all connections for leaks then re-install the AERATOR.

SERVICING THE POT FILLER:

- To access the SHUT-OFF CARTRIDGE, remove the HANDLE ASSEMBLY by unthreading the HANDLE BASE. See FIGURE - 04.

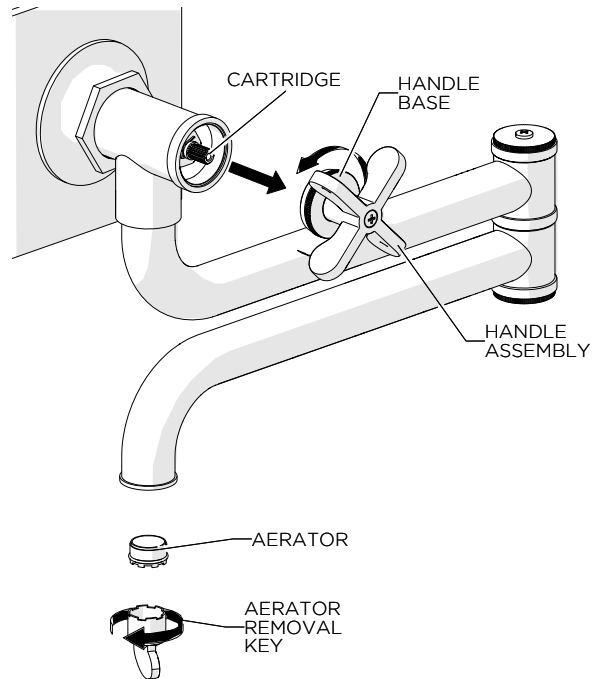


FIGURE - 04

- If further assistance is required, please contact Product Support at 1-800-927-2120 Ext 2 Monday through Friday, 8am - 6pm EST.

- * Putty contains oil and can cause permanent discoloration on certain materials such as marble, granite and any porous surface.

These guidelines have been prepared for the professional contractor to aid in the installation of:
HENRY WALL MOUNTED ARTICULATED POT FILLER WITH METAL CROSS HANDLE
(STYLE No. HNPFO1, HN01PF.UK)
All dimensions are based on original specification and are subject to change and variation.
Please consult your Design Associate for current specifications.

WATERWORKS