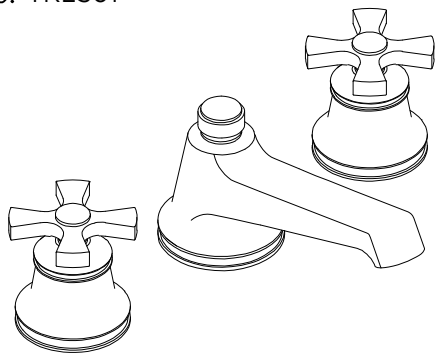
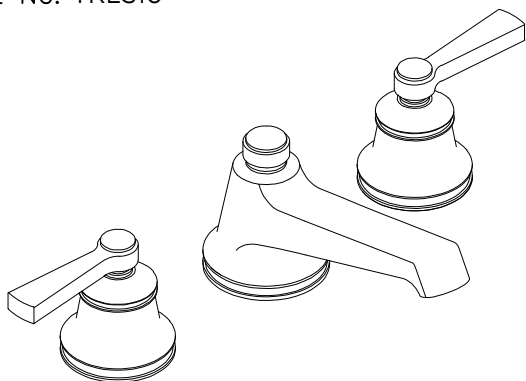


Metal Cross Handles
STYLE No. TRLS01



Metal Lever Handles
STYLE No. TRLS10



SPECIFICATIONS:

Drain Hole Diameter: 1½"
 Drain Style: Pop-up (Drain Included)
 Handle Spread Maximum: 12"
 Handle Spread Minimum: 8"
 Inlet Connection Size: ½"
 Inlet Connection Type: Male with supply nut
 Maximum Deck Thickness: 2⅞"
 Minimum Deck Thickness: ⅜"
 Maximum Water Pressure: 80psi
 Minimum Water Pressure: 20psi
 Fittings Hole Diameter: 1⅜"
 Recommended Water Pressure: 45psi
 Restricted Maximum Flow Rate: 1.2gpm

IMPORTANT:

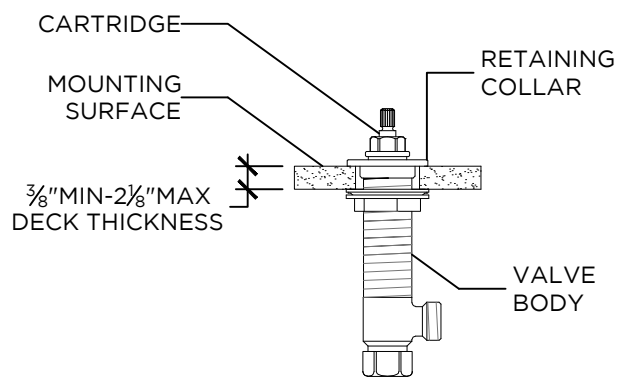
- To ensure this product is installed properly, you must read and follow these guidelines.
- The owner/user of this product must keep this information for future reference .
- Be sure your installation conforms to all federal, state, and local codes. In the State of Massachusetts, all installations must comply with the rules and regulations set forth within 248 CMR.

- This product must be installed by a professional licensed contractor.
- Refer to the specification and assembly drawings attached. Product is sold partially assembled but shown fully disassembled for illustrative and service purposes only.
- Inspect this product to ensure you have all the parts required for proper installation.
- Use only a strap wrench or protected/smooth-jaw wrench on any finished surface.
- DO NOT use putty on deck fittings. Upper and lower washers are provided.

HANDLE INSTALLATION:

- Refer to Figure - 01 for Steps 1-4.
1. Thread the nut (13) onto the valve body (15), then place the metal washer (12) and rubber washer (11) over the valve body.
 2. Thread the nut (13) all the way down the valve body (15), then insert the valve into the hole on the mounting surface from below.
 3. Thread the retaining collar (9) onto the valve body (15) until it stops. Make sure the o-ring (10) is in under the collar.
 4. Allow the collar to rest on the mounting surface and tighten the nut (13) against the underside of the mounting surface to secure the valve body. NOTE: There is a ⅜" MINIMUM deck thickness requirement.

FIGURE - 01



5. Thread the gland cover (7) onto the cartridge until fully seated. Make sure the washer (8) is underneath the cover.
6. Remove the indice assembly (1-2) from the handle (4 or 5) to expose the screw (3).

These guidelines have been prepared for the professional contractor to aid in the installation of:
TRANSIT LOW PROFILE THREE HOLE DECK MOUNTED LAVATORY FAUCET WITH METAL CROSS HANDLES (STYLE No. TRLS01) AND METAL LEVER HANDLES (STYLE No. TRLS10).
 All dimensions are based on origin specification and are subject to change and variation.
 Please consult your Design Associate for current specifications.

**WATERWORKS
STUDIO**

7. Insert the handle, in the correct orientation, into the gland cover until it stops and has properly attached to the cartridge stem.
8. Thread the screw (3) into the cartridge stem to secure the handle. Re-attach the indice assembly.
9. Repeat Steps 1-8 to install the second valve body and handle assembly.

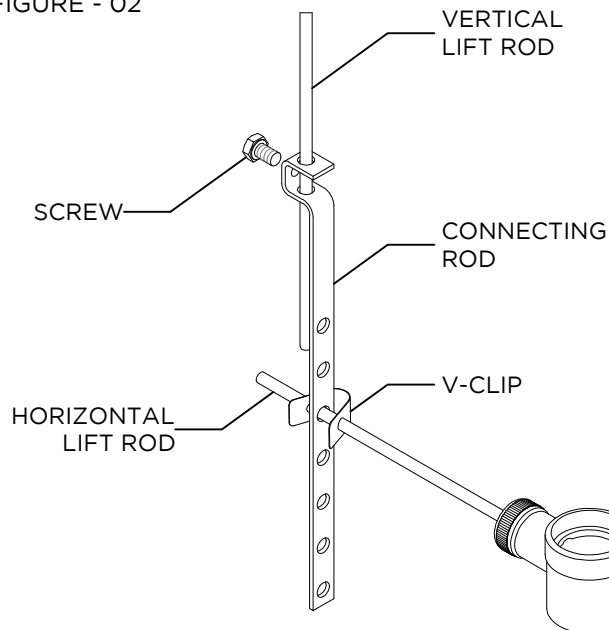
SPOUT INSTALLATION:

10. Thread the threaded rod (20) and supply hoses (24) into the base of the spout (19). Slide the entire assembly through the hole on the mounting surface. Make sure the washer (8) is underneath the spout.
11. Place the rubber washer (21) and 3-shape washer (22) over the threaded rod (20), then thread the nut (23) onto the rod and tighten to secure the spout.
12. Insert the vertical lift rod (27) into the top of the spout (19) making sure the pop-up knob (26) is securely attached.

DRAIN INSTALLATION:

13. Remove the tailpiece (35), lower drain body (34), washer (36), and mounting hardware (37-39) from the drain flange (40).
9. Set the drain flange (40) in the lavatory drain opening using putty or a clear adhesive silicone depending on the mounting surface material.*
10. Re-install the mounting hardware (37 & 38) onto the drain flange and tighten the nut (37) until fully secured. You can discard the upper drain gasket (39). Putty or a clear adhesive silicone may be used to ensure a water-tight seal between the lower drain gasket (38) and lavatory.*
11. Thread the lower drain body back onto the drain flange using the washer (36) provided.
12. Make sure the pivot socket (33) is in place, then insert the horizontal lift rod (32) into the lower drain body (34) and secure the rod using the knurled nut (31). Ensure that the rod passes through the hole in the drain stopper bolt (41).
13. Connect the horizontal and vertical lift rods using the connecting rod (29). Pass the horizontal rod through one of the holes on the connecting rod. Make sure to use the v-clip (30). Pass the vertical rod through the holes on the top of the connecting rod and tighten the screw (28). Adjust as needed. See Figure - 02.
14. Thread the tailpiece (35) back into the lower drain body.

FIGURE - 02



FINISH THE INSTALLATION:

15. Thread the supply hoses (24) to the valve body (15) outlets.
16. Connect the valve bodies to the water supply valves (NOT SUPPLIED).

INSPECT THE INSTALLATION:

17. Remove the aerator (18) using the tool (17) provided, then carefully open the hot and cold valves to flush out any debris in the supply lines.
18. Inspect all connections for leaks.
19. Close the drain and fill the sink with water to make sure the drain stopper assembly (41-43) operates and seals properly.
20. Re-install the aerator.

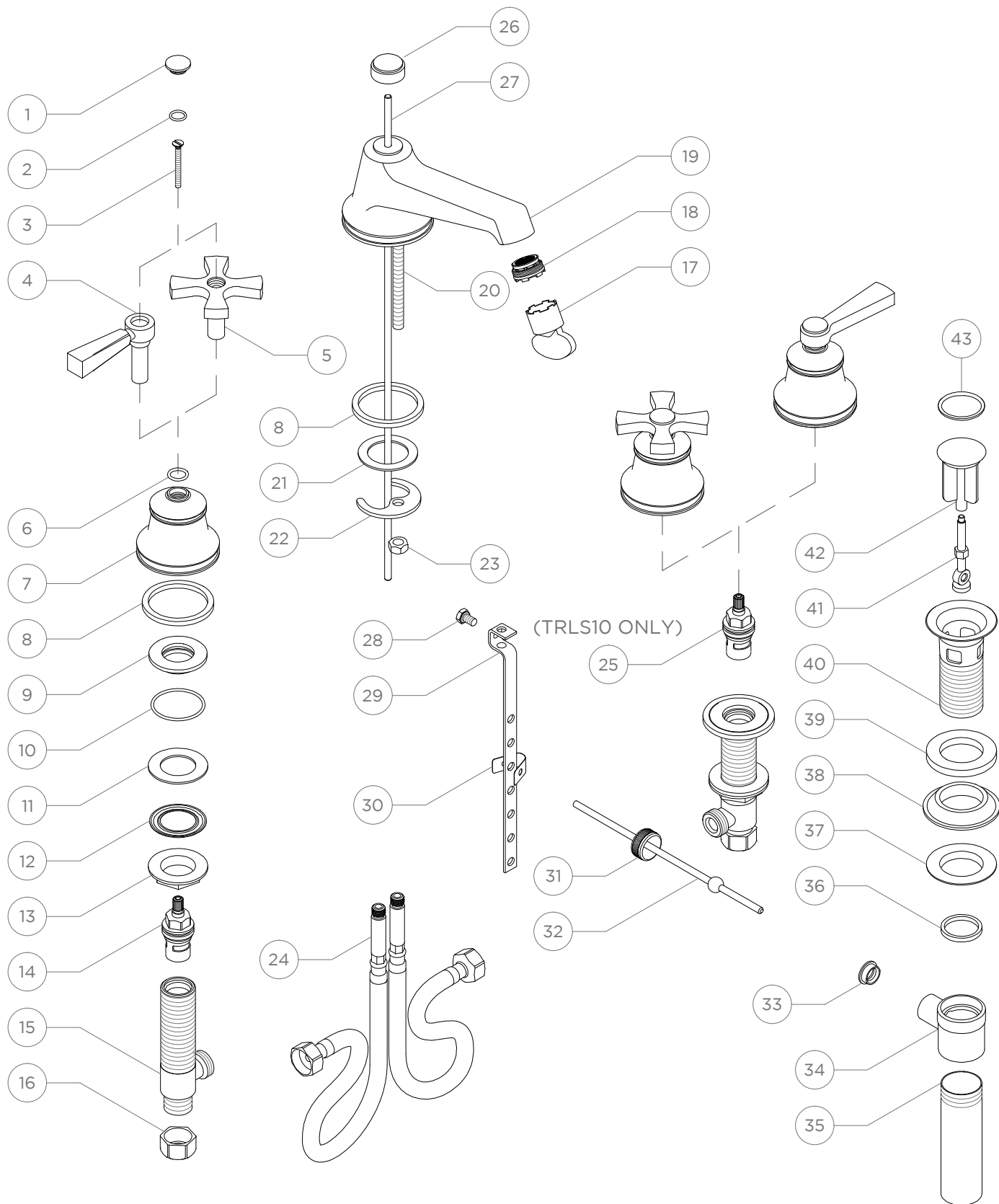
➤ If further assistance is required, contact Product Support at 1-800-927-2120 (8am-6pm EST).

* Putty contains oils and can cause permanent discoloration on certain materials such as marble, granite and any porous surface.

These guidelines have been prepared for the professional contractor to aid in the installation of:
TRANSIT LOW PROFILE THREE HOLE DECK MOUNTED LAVATORY FAUCET WITH METAL CROSS HANDLES (STYLE No. TRLS01) AND METAL LEVER HANDLES (STYLE No. TRLS10).

All dimensions are based on origin specification and are subject to change and variation.
Please consult your Design Associate for current specifications.

WATERWORKS
STUDIO



These guidelines have been prepared for the professional contractor to aid in the installation of:
TRANSIT LOW PROFILE THREE HOLE DECK MOUNTED LAVATORY FAUCET WITH METAL CROSS HANDLES (STYLE No. TRLS01) AND METAL LEVER HANDLES (STYLE No. TRLS10).
 All dimensions are based on origin specification and are subject to change and variation.
 Please consult your Design Associate for current specifications.

**WATERWORKS
STUDIO**

	ITEM NO.	DESCRIPTION	QTY.
TRLS01 (Cross Handle)	5	Cross Handle, Metal, Transit	2
	15	Cartridge, Shut-off Valve, CW Close	2
TRLS10 (Lever Handle)	4	Lever Handle, Metal, Transit	2
	15	Cartridge, Shut-off Valve, CW Close	1
	27	Cartridge, Shut-off Valve, CCW Close	1
COMMON PARTS	1	Indice, Blank, Metal, Transit	2
	2	O-Ring, 10.1mm ID X 1.6mm Width, Rubber	2
	3	Screw, Slotted, 20mm Length	2
	6	O-Ring, 12mm ID X 2mm Width, Rubber	2
	7	Gland Cover, Transit	2
	8	Washer, 45mm ID x 54mm OD x 4mm Thickness, Rubber	3
	9	Retaining Collar	2
	10	O-Ring, 37mm ID X 2mm Width, Rubber	2
	11	Washer, 27mm ID x 45mm OD x 1.5mm Thickness, Rubber	2
	12	Washer, 27mm ID x 43mm OD x 1.5mm Thickness, Metal	2
	13	Nut, Flange, 32mm Hex, Metal	2
	14	Valve Body	2
	16	Inelt Supply Nut, 24mm Hex, Metal	2
	17	Aerator, 1.5gpm	1
	18	Aerator, Tool	1
	19	Spout, Low Profile, Transit	1
	20	Threaded Rod, 80mm Length	1
	21	Washer, 31mm ID x 45mm OD x 1.5mm Thickness, Rubber	1
	22	Washer, 3 Shape, Metal	1
	23	Nut, 13mm Hex, 6.5mm Height, Metal	1
	24	Flexible Supply Hose, 300mm Length	2
	25	Pop-up Knob, Transit	1
	26	Vertical Lift Rod	1
	28	Screw, 10mm Hex Head, 10mm Length	1
	29	Rod Connecting Link	1
	30	Retaining V-Clip	1
	31	Nut, Knurled, Metal	1
	32	Horizontal Pivot Rod	1
	33	Pivot Rod Ball Socket	1
	34	Lower Drain Body, USA Style	1
	35	Tailpiece, 1-1/4", 4" Length, Metal	1
	36	Washer, 26mm ID x 31mm x 3.5mm Thickness, Plastic	1
	37	Drain Nut, Flange, 37.5mm Hex, Metal	1
38	Formed Gasket, Lower Drain Gasket, Rubber	1	
39	Washer, 33mm ID x 53mm OD x 6mm Thickness, Foam	1	
40	Drain Flange, USA Style	1	
41	Stopper Bolt	1	
42	Drain Stopper, USA Style	1	
43	O-Ring, Rubber	1	

These guidelines have been prepared for the professional contractor to aid in the installation of:
TRANSIT LOW PROFILE THREE HOLE DECK MOUNTED LAVATORY FAUCET WITH METAL CROSS HANDLES (STYLE No. TRLS01) AND METAL LEVER HANDLES (STYLE No. TRLS10).
 All dimensions are based on origin specification and are subject to change and variation.
 Please consult your Design Associate for current specifications.

WATERWORKS
STUDIO