

HIGHGATE

HGXT40

Highgate Deck Mounted Exposed Tub Filler With Handshower and Metal Cross Handles



SHOWN IN HIGHGATE DECK MOUNTED EXPOSED TUB FILLER WITH HANDSHOWER AND METAL CROSS HANDLES| HGXT40

TECHNICAL DETAILS

ADA Compliance: Yes
 Adjustable versus Fixed Spray: Fixed Spray
 Deck Thickness Maximum: 1 7/8"
 Deck Thickness Minimum: 0"
 Diameter of Head: 2 3/4"
 Diameter of Legs / Tubes: 1 1/8"
 Escutcheon Primary Material: Brass
 Fittings Hole Diameter: 1 1/4"
 Flow Restriction Options: 2.0, 1.75, 1.5, 0.92
 Handle Spread Maximum: 7 5/8"
 Handle Spread Minimum: 7 5/8"
 Handle Turn Angle: Quarter Turn
 Handshower / Spray Hose Length: 59"
 Index Color / Finish and Material: White Porcelain
 Depth / Width: 11 1/2"
 Height: 15"
 Index Marking: H/C
 Inlet Connection Size: 3/4"
 Inlet Connection Type: Male NPT Adapter
 Inlet Supply Spread Maximum: 7 5/8"
 Inlet Supply Spread Minimum: 7 5/8"
 Installation Type: Deck Mounted
 Integrated Diverter: N
 Integrated Spray: N
 Length: 9 15/16"
 Number of Handles: Three
 Number of Holes: Two Hole
 Pivot: N
 Primary Material: Brass
 Spout Swivel: N
 Spray Included in Unit: N
 Suggested Application: Bath
 Valve Material: Ceramic
 Water Pressure Maximum: 85.0 psi
 Water Pressure Minimum: 20.0 psi
 Water Pressure Recommended: 45.0 psi

INSPIRATION

Our take on old English style: simple, functional shapes, detailed with white porcelain indices and hexagonal accents for a timeless feel.

CODES & STANDARDS

Code # HGTU40: Complies with ASME A112.18.1/CSA B125.1, CEC, ADA and 0.25% Weighted Average Lead Content. Certified with IAPMO, cUPC, CEC, DOE, State of MA and WRAS.

PRODUCT FEATURES

The handshower is easy to grip offering a round spray pattern
 All finishes available for immediate shipment (subject to availability)
 Porcelain lever handles feature hot and cold markings on white porcelain indices
 Stocked in 2.5gpm (7.6 L/min) and 1.75gpm (6.6 L/min) for Handshower. State of California requires 1.75gpm (6.6 L/min) to comply with their water conservation requirements. Other flow options are available to order, contact your sales associate or call 1 (800) 899-6757 for details



PRODUCT (NOTES)

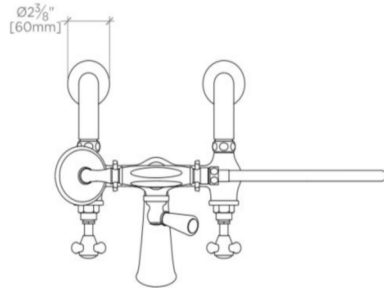
Includes deck unions. You are able to specify the Universal Floor Unions (UNUN32) to be used with Waterworks Studio Highgate Wall Mounted Exposed Tub Filler (HGXT20).

WATERWORKS

HIGHGATE

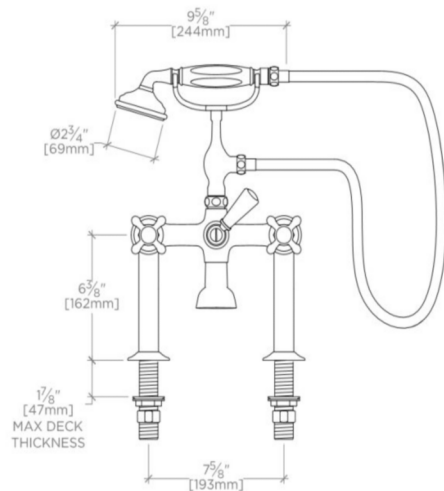
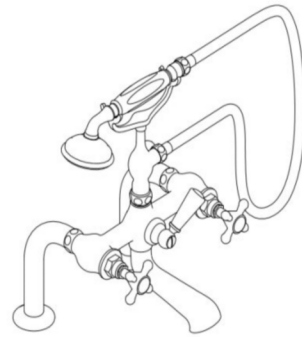
HGXT40

Highgate Deck Mounted Exposed Tub Filler With Handshower and Metal Cross Handles



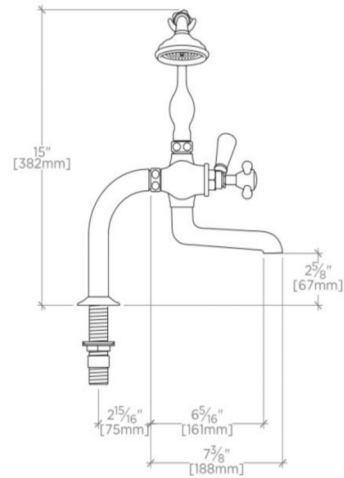
TOP VIEW

SCALE: 1/2"=1'-0"



FRONT VIEW

SCALE: 1/2"=1'-0"



SIDE VIEW

SCALE: 1/2"=1'-0"