

# CM-60 alcove tub shower

**Model number:**

141000

**Dimensions:** 60" x 32" x 72"

**Installation:** Alcove

**Material:** AcrylX™



## Standard Features:

- One-piece tub shower with AcrylX™ finish
- Built-in back wall shelves with integrated soap dish
- Right or left drain
- Textured floor
- 13 3/4 inch deep sump
- Bottom bathing well : 45 inch L x 16 inch W

## Product characteristics:

- One-Piece Unit
- Integrated Shelving
- Textured Floor

## Warranty:

Lifetime limited

## Standard colors:



White (002)



Bone (004)



Biscuit (007)

## Certifications

MAAX products adhere to one or more of the following certifications:



## Recommended products (Visit our website for a complete list of our recommended doors)

Description	No
105409	Mika Sliding Tub Door 54 - 59 1/2 x 55 in.
137500	Edge Tub Shield 30 x 55 1/2 in. 6 mm
136270	Duel Sliding Tub Door 56-59 x 55 1/2-57 1/2 in. 8 mm

## Options (Visit our website for a complete list of our options)

No	Description
<input type="checkbox"/> OPT 10189	Three wall reinforcement for future grab installation
<input type="checkbox"/> OPT 20212-B	Back Wall reinforcement (one wall) for future grab bar installation
<input type="checkbox"/> OPT 20212-L	Left Wall reinforcement (one wall) for future grab bar installation
<input type="checkbox"/> OPT 20212-R	Right Wall reinforcement (one wall) for future grab bar installation
<input type="checkbox"/> OPT 20317	Builder backing for future grab bars - 60" tub showers

# CM-60 alcove tub shower

**Model number:**

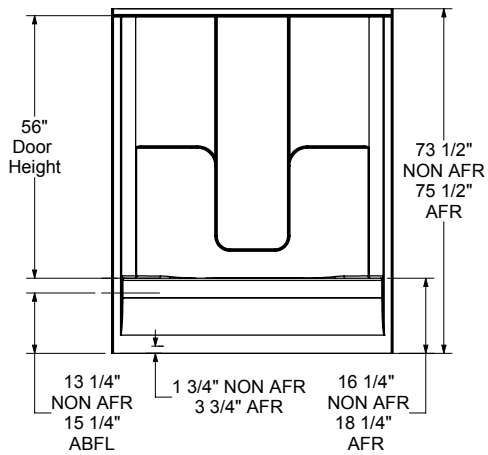
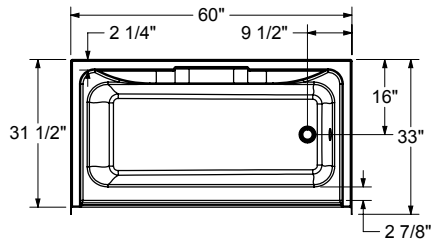
**141000**

**Dimensions:** 60" x 32" x 72"

**Installation:** Alcove

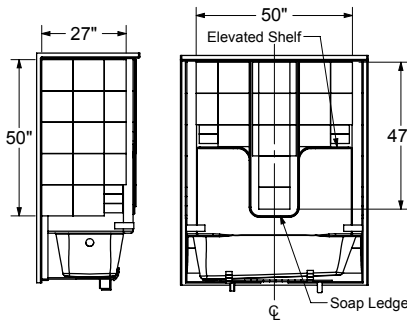
**Material:** AcryIX™

STANDARD  
(Right Shown)

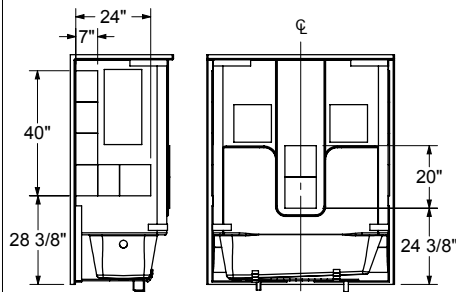


All dimensions are approximate. Structure measurements must be verified against the unit to ensure proper fit.

REINFORCEMENT  
FULL BACKING



REINFORCEMENT  
BUILDER BACKING



**Dimensions:**

60 x 31 1/2 x 72 in.

**Water capacity:**

36 gallons

**Weight:**

119 lbs

**Bathing well:**

45 X 16 in.

**Deep sump height:**

13 3/4 in.

**Drain location:**

Left

Right

Project:

Contractor:

Representative:

Date:

Tel:

Notes: