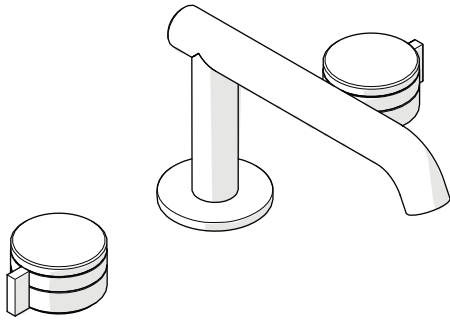
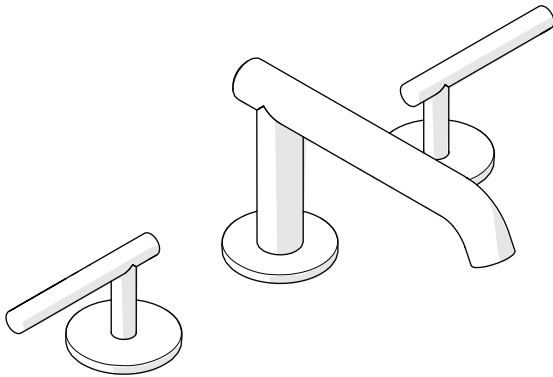


**STYLE No. DBLS01<sup>†</sup>**  
with Knob Handles**STYLE No. DBLS10<sup>†</sup>**  
with Lever Handles**SPECIFICATIONS:**

Deck Thickness: 3/8" [10mm] MIN - 2-3/16" [55mm] MAX  
 Drain Depth: 1-1/4" MIN - 2" MAX †  
 Drain Hole Diameter: Ø1-1/2" †  
 Drain Style: Push Touch (Drain Included)  
 Fittings Hole Diameter: Ø1-3/8" [35mm]  
 Handle Spread: 8" [203mm] MIN - 12" [305mm] MAX  
 Inlet Connection: 1/2" Male with Supply Nut  
 Restricted Maximum Flow Rate: 1.2gpm [4.5L/min]  
 Spout Reach: 6-1/8" [156mm]  
 Water Pressure: 20psi [1.5 bar] MIN - 85psi [6.0 bar] MAX  
 Water Pressure Recommended: 45psi [3.0 bar]

† Style No. **DB01LS** and **DB10LS** are supplied with and alternate DRAIN.

- Drain Depth: 10mm MIN - 51mm MAX
- Drain Hole Diameter: Ø44mm

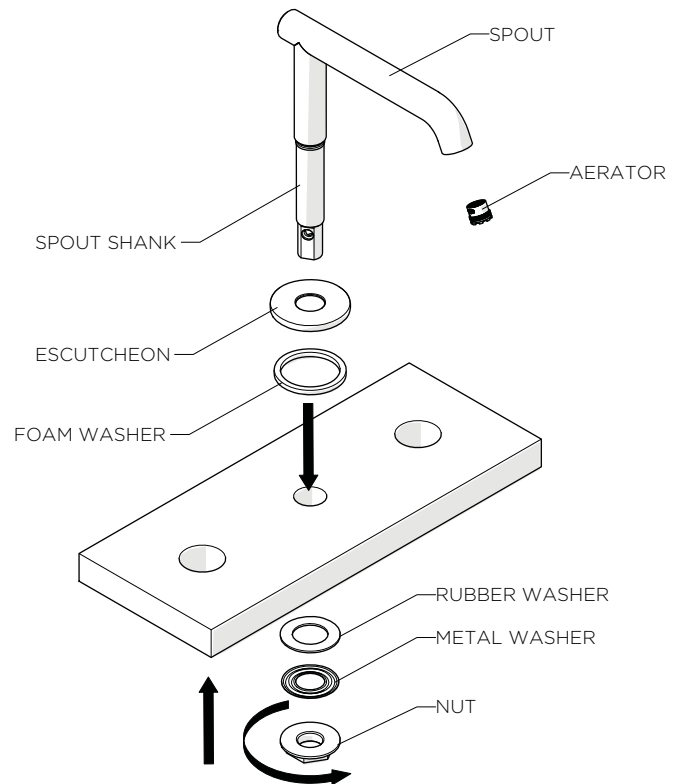
**IMPORTANT:**

- To ensure this product is installed properly, you must read and follow these guidelines.
- The owner/user of this product must keep this information for future reference.
- This product must be installed by a professional licensed contractor. Be sure your installation conforms to federal state, and local codes. In the State of Massachusetts, all installations must comply with the rules and regulations set forth within 248 CMR.

- Inspect this product to ensure you have all the parts required for proper installation.
- Use only a strap wrench or protected/smooth-jaw wrench on any finished surface.
- The use of certain plumber's putty may stain stone or tile surfaces.

**SPOUT INSTALLATION:**

- See Figure 1 for Steps 1 - 2.
1. Remove the NUT, METAL WASHER and RUBBER WASHER from the SPOUT SHANK then insert the SHANK through the mounting hole. Ensure the ESCUTCHEON and FOAM WASHER are in place over the SHANK.
  2. Re-attach the RUBBER WASHER, METAL WASHER and NUT and tighten the NUT against the underside of the mounting surface to secure the spout.

**FIGURE - 01****VALVE BODY INSTALLATION:**

- See Figure 2 for Steps 3 - 5.
3. Remove the TRIM CONNECTOR and RUBBER WASHER† from the VALVE BODY. Do NOT remove the NUT, METAL WASHER, RUBBER WASHER, or PLASTIC SPACER\*.
- \* **NOTE:** The PLASTIC SPACER is required for installations that have a deck thickness between 3/8" [10mm] and 1-5/8" [41mm].

These guidelines have been prepared for the professional contractor to aid in the installation of:  
 DECIBEL LOW PROFILE THREE HOLE DECK MOUNTED LAVATORY FAUCET WITH METAL KNOB HANDLES  
 (STYLE No. DBLS01, DB01LS) AND METAL LEVER HANDLES (STYLE No. DBLS10, DB10LS).  
 All dimensions are based on original specification and are subject to change and variation.  
 Please consult your Design Associate for current specifications.

**WATERWORKS**  
STUDIO

- Thread the NUT all the way down the VALVE BODY then insert the VALVE into the mounting hole from below and thread the TRIM CONNECTOR back onto the VALVE until it stops. Make sure to use the RUBBER WASHER ‡ provided.
- Allow the TRIM CONNECTOR to rest on the mounting surface and hand-tighten the NUT against the underside of the mounting surface. Do NOT over-tighten the NUT to allow for proper handle alignment during HANDLE installation.

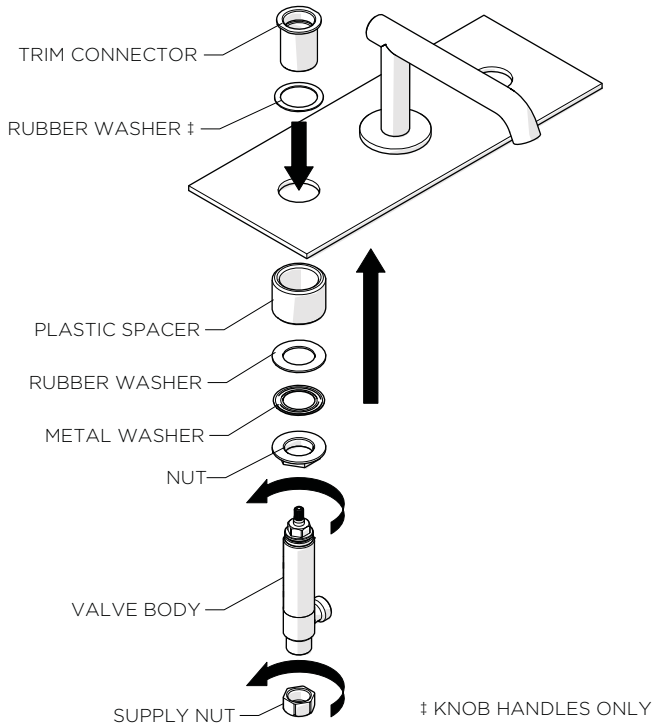


FIGURE - 02

- Proceed to Step 7 for DBLS01 and DB01LS (knob handle) installations or Step 12 for DBLS10 and DB01LS (lever handle) installations.

**KNOB HANDLE INSTALLATION (DBLS01, DB01LS):**

- See Figure 3 for steps 7 - 10.

- Thread the ESCUTCHEON into the TRIM CONNECTOR. Make sure the HANDLE STEM aligns properly with the CARTRIDGE STEM and the ESCUTCHEON is fully threaded down and securely tightened.

**NOTE:** A RUBBER WASHER‡ for the TRIM CONNECTOR is provided. If desired, a bead of caulk or a clear silicone may be applied where the ESCUTCHEON contacts the mounting surface. The use of certain plumber's putty may stain stone or tile surfaces.

- Place the HANDLE HUB onto the HANDLE STEM in the desired orientation then thread the SCREW into the HUB and securely tighten.

- Place the HANDLE over the HUB making sure it fits properly inside the notched portion then thread the COVER into the HUB and securely tighten.

- Repeat Step 7 - 9 to install the second HANDLE.

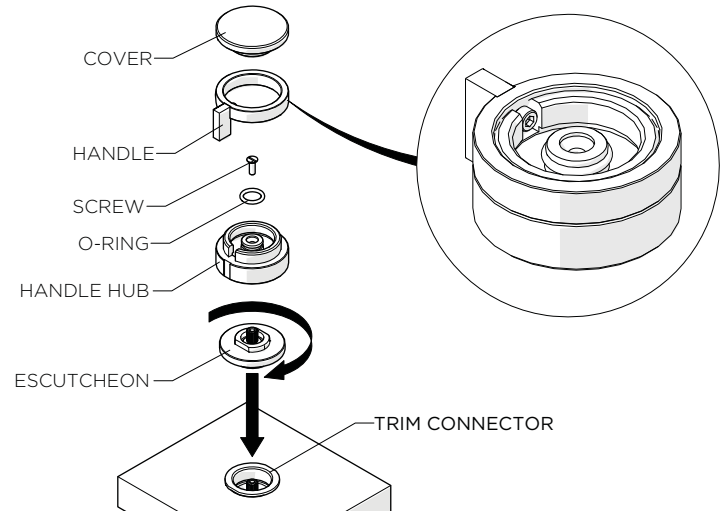


FIGURE - 03

- Proceed to Step 14.

**LEVER HANDLE INSTALLATION (DBLS01, DB01LS):**

- See Figure 4 for steps 12 - 13.

- Thread the ESCUTCHEON into the TRIM CONNECTOR making sure the HANDLE STEM aligns properly with the CARTRIDGE STEM. Make sure to use the FOAM WASHER provided and the ESCUTCHEON is fully threaded down and securely tightened.

**NOTE:** A FOAM WASHER for the ESCUTCHEON is provided. If desired, a bead of caulk or a clear silicone may be applied where the ESCUTCHEON contacts the mounting surface. The use of certain plumber's putty may stain stone or tile surfaces.

- Repeat Step 12 to install the second Handle.

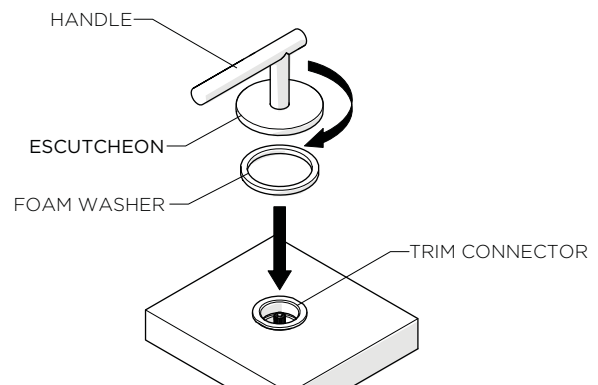


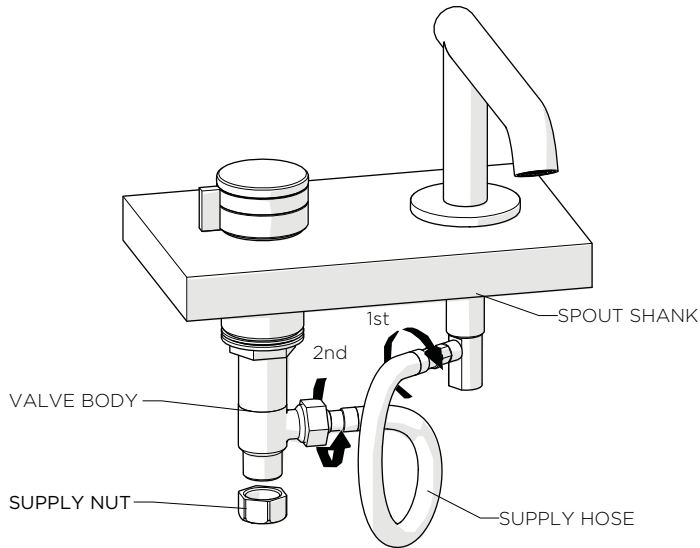
FIGURE - 04

These guidelines have been prepared for the professional contractor to aid in the installation of:  
**DECIBEL LOW PROFILE THREE HOLE DECK MOUNTED LAVATORY FAUCET WITH METAL KNOB HANDLES (STYLE No. DBLS01, DB01LS) AND METAL LEVER HANDLES (STYLE No. DBLS10, DB01LS).**  
 All dimensions are based on original specification and are subject to change and variation.  
 Please consult your Design Associate for current specifications.

**WATERWORKS**  
 STUDIO

**SUPPLY HOSE INSTALLATION:**

14. Ensure the HANDLE is in the desired orientation then securely tighten the NUT on the VALVE BODY.
15. Thread the male end of the SUPPLY HOSE into the SPOUT SHANK then thread the female end of the HOSE onto the side outlet on the VALVE BODY as shown below.

**FIGURE - 05**

16. Repeat Steps 14 - 15 to install the second HOSE.
17. Connect the VALVE BODIES to the water supply valves (sold separately).
18. Proceed to Step 19 for DBLS01 and DBLS10 installations or Step 24 for DB01LS and DB10LS installations.

**DBLS01 AND DBLS10 DRAIN INSTALLATION:**

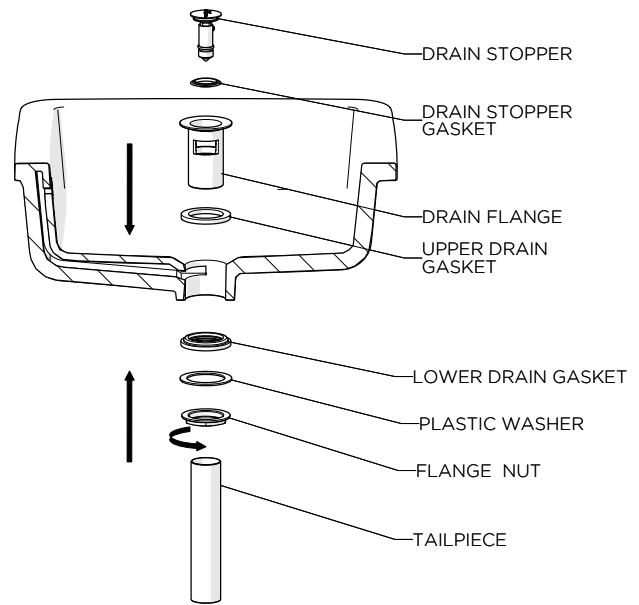
- See Figure - 06 for Steps 19 - 21.
  - The use of certain plumber's putty may stain stone or tile surfaces.
19. Remove the TAILPIECE, NUT, PLASTIC WASHER and LOWER DRAIN GASKET from the DRAIN FLANGE.

**NOTE:** THE UPPER DRAIN GASKET can be discarded.

20. Set the DRAIN FLANGE in the lavatory using putty or a clear adhesive silicone.
21. Re-attach the LOWER DRAIN GASKET, PLASTIC WASHER, and NUT. Tighten the NUT, making sure the GASKET makes a full seal on the underside of the lavatory.

**NOTE:** Putty or a clear adhesive silicone may be used to ensure a watertight seal between the GASKET and lavatory.

22. Re-attach the TAILPIECE to the DRAIN FLANGE and connect to the p-trap (SOLD SEPARATELY).

**FIGURE - 06**

23. Proceed to Step 30.

**DB01LS AND DB10LS DRAIN INSTALLATION:**

- See Figure - 07 for Steps 24 - 29.
  - The use of certain plumber's putty may stain stone or tile surfaces.
24. Remove the TAILPIECE from the LOWER DRAIN BODY.
  25. Unthread and remove the DRAIN STOPPER and LOWER DRAIN BODY from the DRAIN FLANGE.
- NOTE:** The FOAM WASHER can be discarded.
26. Set the DRAIN FLANGE in the lavatory drain opening using putty or a clear adhesive silicone.
  27. Re-install the LOWER DRAIN BODY making sure to use the GASKET provided. Ensure the GASKET makes a full seal on the underside of the lavatory then securely tighten the SCREW using a 5/32" or 4mm hex key.
- NOTE:** Putty or a clear adhesive may be used to ensure a water-tight seal between the RUBBER GASKET and lavatory.
28. Re-install the TAILPIECE using the WASHER and NUT provided and re-install the STOPPER.
  29. Connect the tailpiece to the p-trap (sold separately).

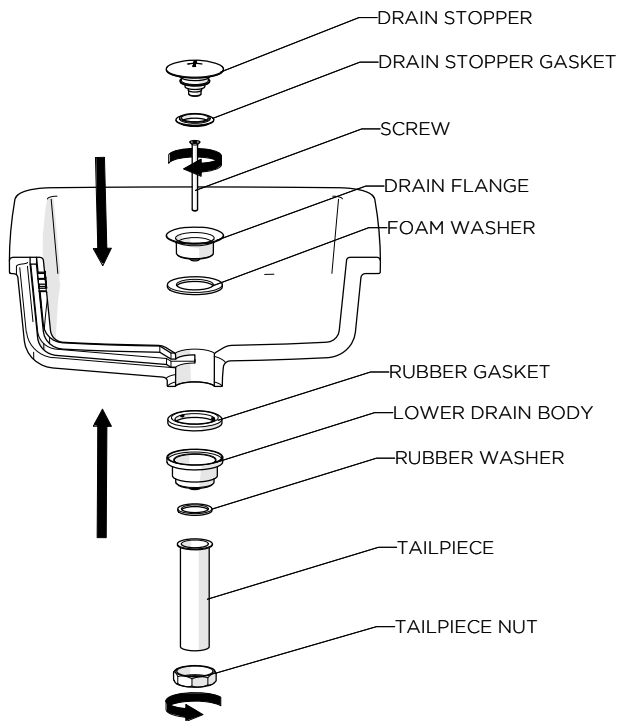


FIGURE - 07

### INSPECT THE INSTALLATION:

30. Remove the AERATOR using the tool provided and then carefully open the hot and cold water supplies to flush out any debris in the supply lines.
  31. Operate both HANDLES to ensure they are functioning properly.
  32. Inspect all connections for leaks.
  33. Close the DRAIN and fill the lavatory with water to make sure the DRAIN STOPPER operates and seals properly.
  34. Turn off the water and re-install the AERATOR.
- If further assistance is required, please contact Product Support at 1-800-927-2120 Monday through Friday, 8am - 6pm EST.
  - Refer to the separate Service Parts Documents for available replacement parts.

These guidelines have been prepared for the professional contractor to aid in the installation of:  
**DECIBEL LOW PROFILE THREE HOLE DECK MOUNTED LAVATORY FAUCET WITH METAL KNOB HANDLES**  
(STYLE No. DBLS01, DBO1LS) AND METAL LEVER HANDLES (STYLE No. DBLS10, DB10LS).  
All dimensions are based on original specification and are subject to change and variation.  
Please consult your Design Associate for current specifications.

**WATERWORKS**  
STUDIO