

## FLYTE

## FLXT70

Flyte Floor Mounted Exposed Tub Filler with Handshower and Metal Lever Handles



SHOWN IN FLYTE FLOOR MOUNTED EXPOSED TUB FILLER WITH HANDSHOWER AND METAL LEVER HANDLES| FLXT70

### TECHNICAL DETAILS

Escutcheon Primary Material: Brass  
Fittings Hole Diameter: 1 3/8"  
Flow Restriction Options: 2.0, 1.75, 1.5, 0.92  
Handle Turn Angle: Quarter Turn  
Handshower / Spray Hose Length: 59"  
Height: 34 1/2"  
Inlet Connection Size: 3/4"  
Inlet Connection Type: Copper Sweat  
Inlet Supply Spread Maximum: 5 7/8"  
Inlet Supply Spread Minimum: 5 7/8"  
Integrated Diverter: Y  
Length: 11 1/4"  
Number of Holes: Two Hole  
Primary Material: Brass  
Valve Material: Brass, Ceramic  
Water Pressure Maximum: 80.0 psi  
Water Pressure Minimum: 20.0 psi  
Water Pressure Recommended: 45.0 psi

### INSPIRATION

Pure Modernism. Like minimalist works of art, the elegant proportions of these light, fluid elements bring sculptural reference to a room.

### PRODUCT FEATURES

Lever Handles

This item is stocked in a Chrome and Nickel finishes.

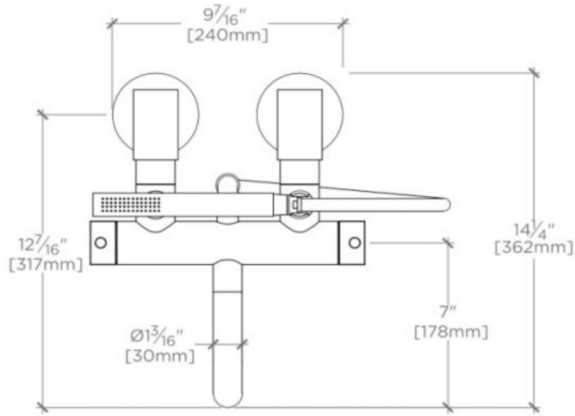
Includes Floor Unions

Stocked in 2.0gpm (7.6 L/min) and 1.75gpm (6.6 L/min) for handshower. State of California requires 1.75gpm (6.6 L/min) to comply with their water conservation requirements. Other flow options are available to order, contact your sales associate or call 1 (800) 899-6757 for details.

## FLYTE

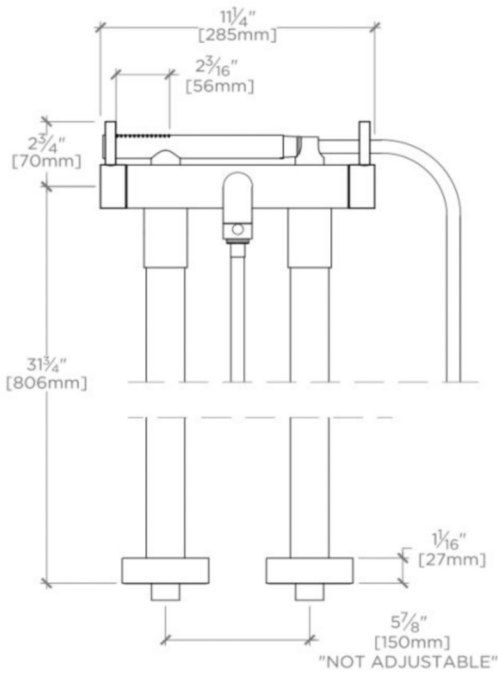
## FLXT70

Flyte Floor Mounted Exposed Tub Filler with Handshower and Metal Lever Handles



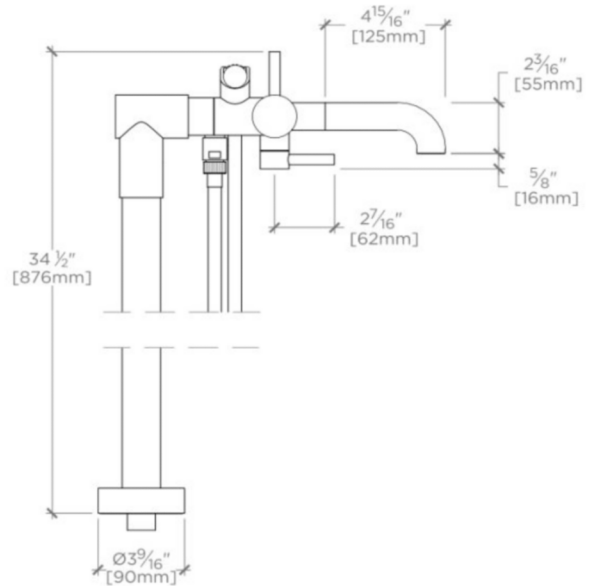
TOP VIEW

SCALE: 1/2"=1'-0"



FRONT VIEW

SCALE: 1/2"=1'-0"



SIDE VIEW

SCALE: 1/2"=1'-0"