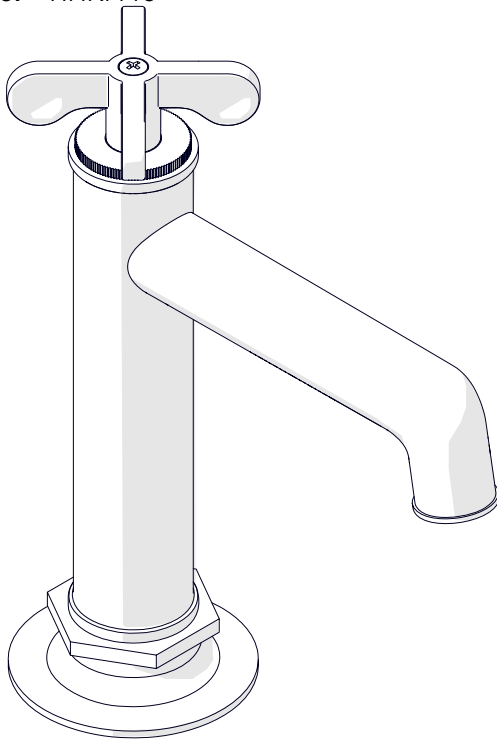


STYLE No. HNKM40[†]



SPECIFICATIONS:

Deck Thickness Maximum: 1-1/4" (32mm)
Fittings Hole Diameter: Ø1-3/8" (35mm)
Handle Turn Angle: Half Turn
Inlet Connection Size: 3/8"
Inlet Connection Type: Compression Connection Hoses[†]
Restricted Maximum Flow Rate: 2.2gpm (8.3liters/min)
Spout Reach: 5-1/4" (133mm)
Spout Swivel: No
Water Pressure Minimum: 20 psi (1.4 Bar)
Water Pressure Maximum: 80 psi (5.5 Bar)
Water Pressure Recommended: 45 psi (3 Bar)

[†] UK Style No. **HN40KM** is supplied with 2 **BSP** adapters, assembly required.

IMPORTANT:

- To ensure this product is installed properly, you must read and follow these guidelines.
- The owner/user of this product must keep this information for future reference..
- This product must be installed by a professional licensed contractor.
- Be sure your installation conforms to all federal, state, and local codes.
- In the State of Massachusetts, all installations must comply with the rules and regulations set forth within 248 CMR.

- Refer to the specification and assembly drawings attached. Product is sold partially assembled but shown fully disassembled for illustrative and service purposes only.
- Inspect the product to ensure you have all the parts required for proper installation.
- Use only a strap wrench or protected/smooth-jaw wrench on any finished surface.
- **DO NOT** use putty. Putty contains oil and can cause permanent discoloration on certain materials such as marble, granite and any porous surface.
- **NOTE: The screw on the top of the handle is purely aesthetic. DO NOT REMOVE.**

INSTALLATION:

1. Remove the **NUTS, METAL WASHER, and UPPER RUBBER WASHER** from the **THREADED RODS**. See **FIGURE - 01**.

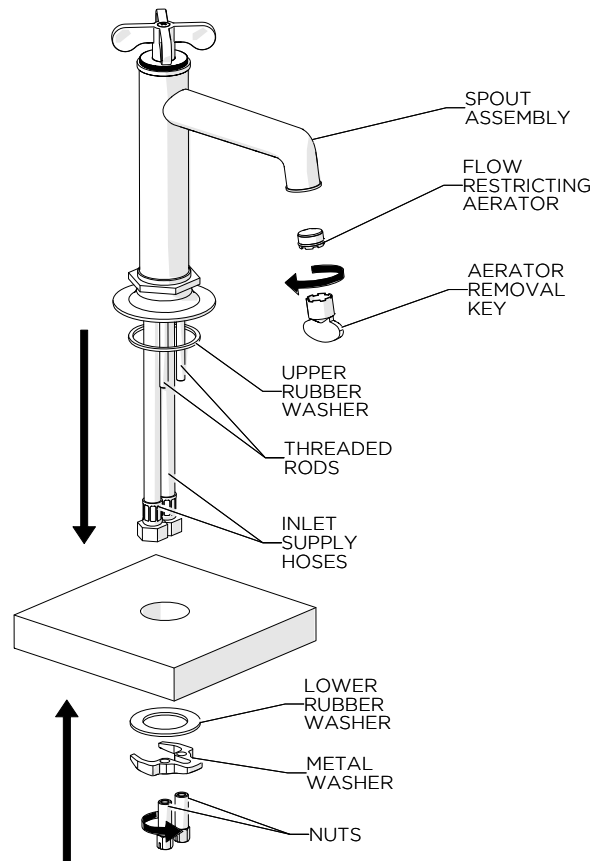


FIGURE - 01

2. Ensure that the **INLET SUPPLY HOSES** and **THREADED ROD** are securely tightened to the **SPOUT ASSEMBLY**, then insert the **HOSES** and **THREADED RODS** through the Ø1-3/8" (35mm) hole on the mounting surface making sure the **UPPER RUBBER WASHER** is beneath.

These guidelines have been prepared for the professional contractor to aid in the installation of:
HENRY ONE HOLE BAR FAUCET WITH METAL CROSS HANDLE (STYLE No. HNKM40, HN40KM UK).
All dimensions are based on original specification and are subject to change and variation.
Please consult your Design Associate for current specifications.

WATERWORKS

3. Re-install the LOWER RUBBER WASHER, METAL WASHER and NUTS. Securely tighten the NUTS to secure the SPOUT ASSEMBLY to mounting surface.
4. Connect the HOSES to the water supplies making sure they are not pinched or kinked.

OPTIONAL HOT LIMIT SAFETY STOP CALIBRATION:

- Refer to FIGURE - 02a & FIGURE - 2b for steps 5 - 8.
5. Remove the HANDLE ASSEMBLY by unthreading the HANDLE BASE from the SPOUT BODY.
 6. Loosen the ADJUSTMENT SCREWS to allow the LIMIT STOP PLATES to rotate freely. The orientation of LIMIT STOP COLLAR can also be adjusted.
 7. Place the HANDLE ASSEMBLY over cartridge stem and beginning in the off position rotate handle counterclockwise towards full hot. Using a thermometer measure the water temperature and adjust the handle until the desired temperature is reached. The LIMIT STOP PIN makes contact with the LIMIT STOP PLATE and will move it.
 8. Remove the HANDLE ASSEMBLY and tighten the ADJUSTMENT SCREWS to set hot temperature limit. Re-attached HANDLE ASSEMBLY to SPOUT ASSEMBLY to complete calibration.

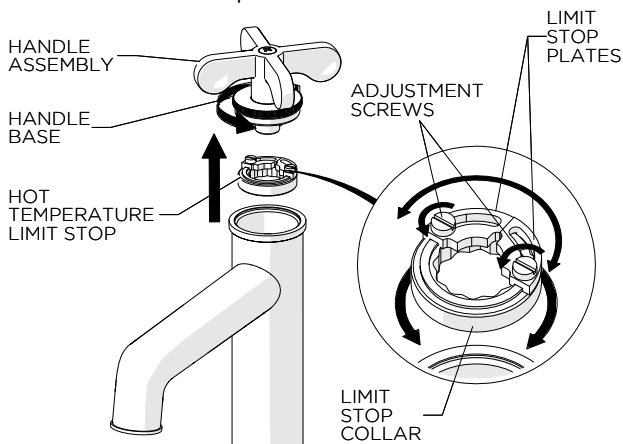


FIGURE - 02a

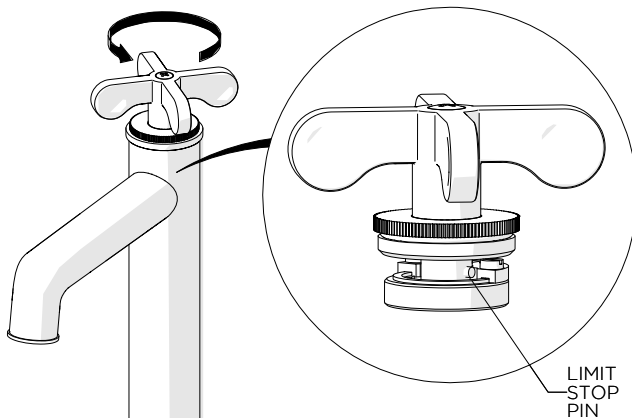


FIGURE - 02b

FINISH AND INSPECT THE INSTALLATION:

9. Remove the FLOW RESTRICTING AERATOR from the SPOUT ASSEMBLY using the AERATOR REMOVAL KEY, then open the hot and cold supplies and carefully turn the HANDLE to flush out any debris in the supply lines.
10. Inspect all connections for leaks.
11. Shut the water off and re-install the FLOW RESTRICTING AERATOR.

SERVICING THE CARTRIDGE:

- Refer to FIGURE - 03 for step 12.
12. To access the CARTRIDGE, remove the HANDLE ASSEMBLY by unthreading the HANDLE BASE then unthread the RETAINING COLLAR to expose the CARTRIDGE.

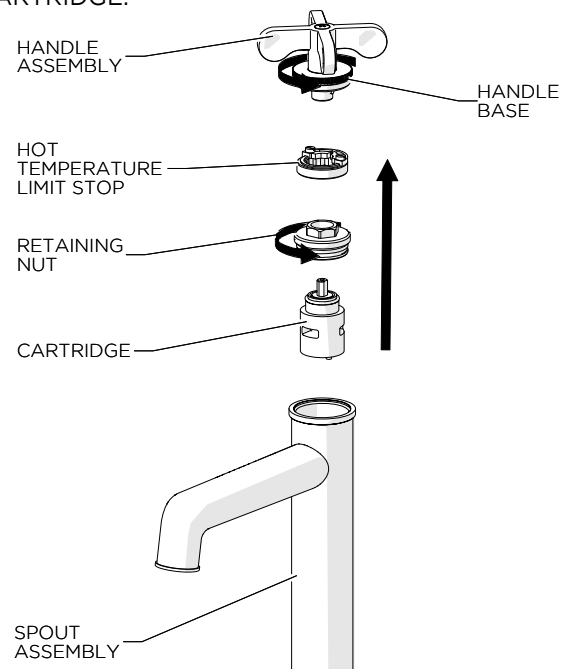


FIGURE - 03

- If further assistance is required, please contact Product Support at 1-800-927-2120 Ext 2 Monday through Friday, 8am - 6pm EST.
- See the service part document for parts ordering, available on WATERWORKS.COM.
- * Putty contains oil and can cause permanent discoloration on certain materials such as marble, granite and any porous surface.

These guidelines have been prepared for the professional contractor to aid in the installation of:
HENRY ONE HOLE BAR FAUCET WITH METAL CROSS HANDLE (STYLE No. HNKM40, HN40KM UK).
 All dimensions are based on original specification and are subject to change and variation.
 Please consult your Design Associate for current specifications.

WATERWORKS