

California Faucets[®] TRADITIONAL DECK MOUNT TUB FILLER WITH HANDSHOWER

Features

- Tub filler maximum flow rate: 15 gpm (56.8 L/min) at 60 psi
- Handshower flow rate: 2.0 gpm (7.6 L/min) or 1.8 gpm (6.8 L/min)
- Handshower bracket may be placed on COLD or HOT side of body
- 1/4 turn ceramic disc cartridges
- All brass construction
- Over 30 finishes including 15 PVD finishes

Codes/Standards

Product meets or exceeds the following:

- ASME A112.18.1 / CSA B125.1
- CEC (1.8 gpm) / DOE (2.0 & 1.8 gpm)
- Commonwealth of MA
- EPA Watersense handshower (2.0gpm)
- ADA compliant (with lever handles)
- Local codes may require installation of an upstream tempering valve

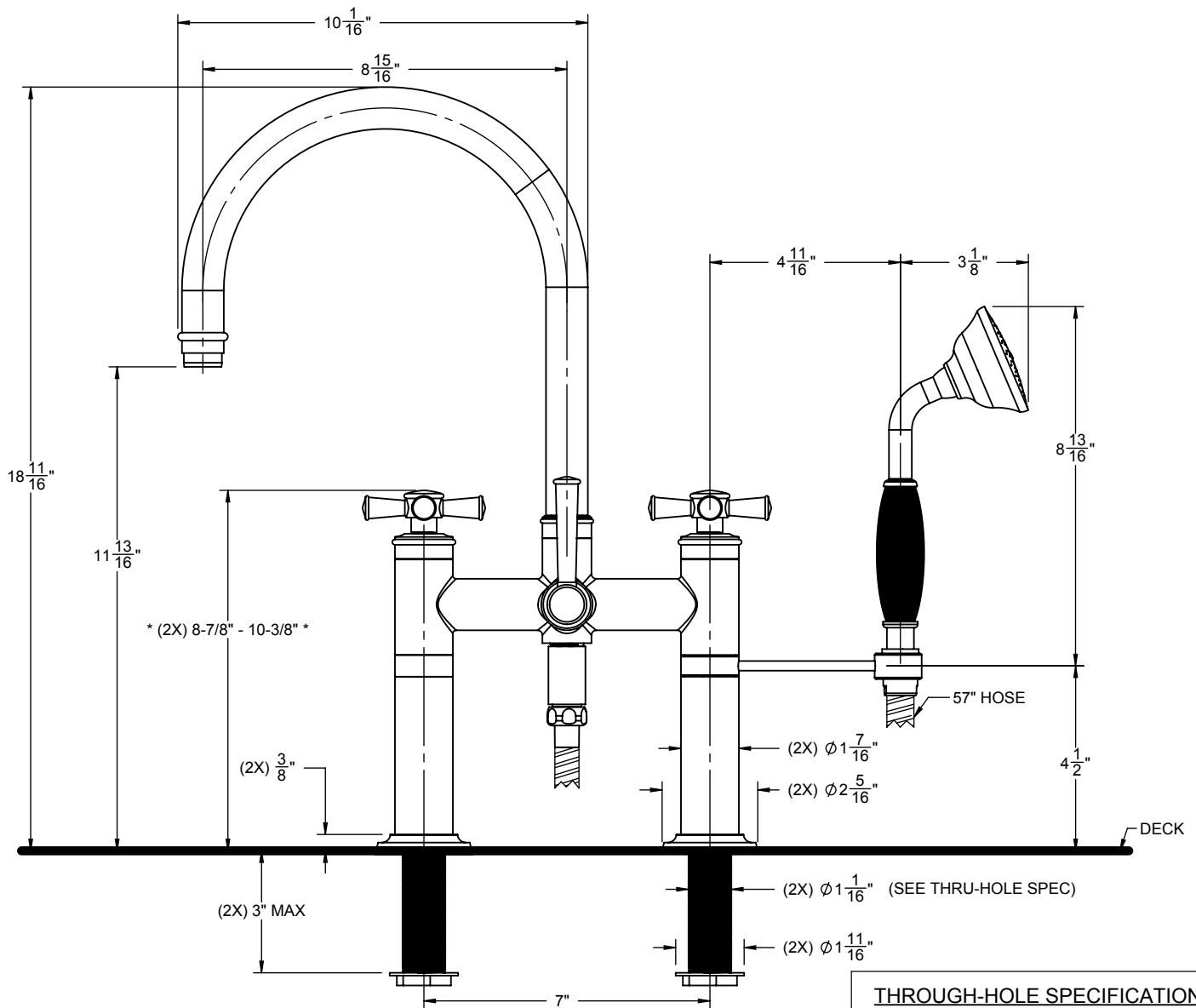


1308-48X.FR SHOWN

1308-XX.13M.20
1308-XX.13M.18
1308-XX.20
1308-XX.18



XX= DENOTES HANDLE SERIES



THROUGH-HOLE SPECIFICATIONS		
MIN	RECOMENDED	MAX
$\phi 1 \frac{1}{16}$ "	$\phi 1 \frac{5}{16}$ "	$\phi 1 \frac{3}{8}$ "

* = DIMENSION VARIES BASED ON HANDLE SERIES
SPECIFICATIONS SUBJECT TO CHANGE WITHOUT NOTICE

ALL DIMENSIONS SHOWN TO NEAREST 1/16"