



California Faucets®

**Descanso®**

INDUSTRIAL FLOOR MOUNT TUB FILLER WITH HANDSHOWER

**Features**

- No additional wall or trap stabilizer kit required
- Tub filler: Maximum flow rate: 15 gpm (56.8 L/min) at 60 psi
- Handshower: Flow rate: 2.0 gpm (7.6 L/min) or 1.8 gpm (6.8 L/min)
- Handshower bracket may be placed on COLD or HOT side of body
- 1/4 turn ceramic disc cartridges
- Rough kit sold separately (9516)
- All brass construction
- Over 28 finishes including 13 PVD finishes

**Codes/Standards Applicable**

Product meets or exceeds the following:

- ASME A112.18.1/CSA B125.1
- CEC (1.8 gpm) / DOE (2.0 & 1.8 gpm)
- Commonwealth of MA
- ADA compliant (with lever handles)
- Local codes may require installation of an upstream tempering valve

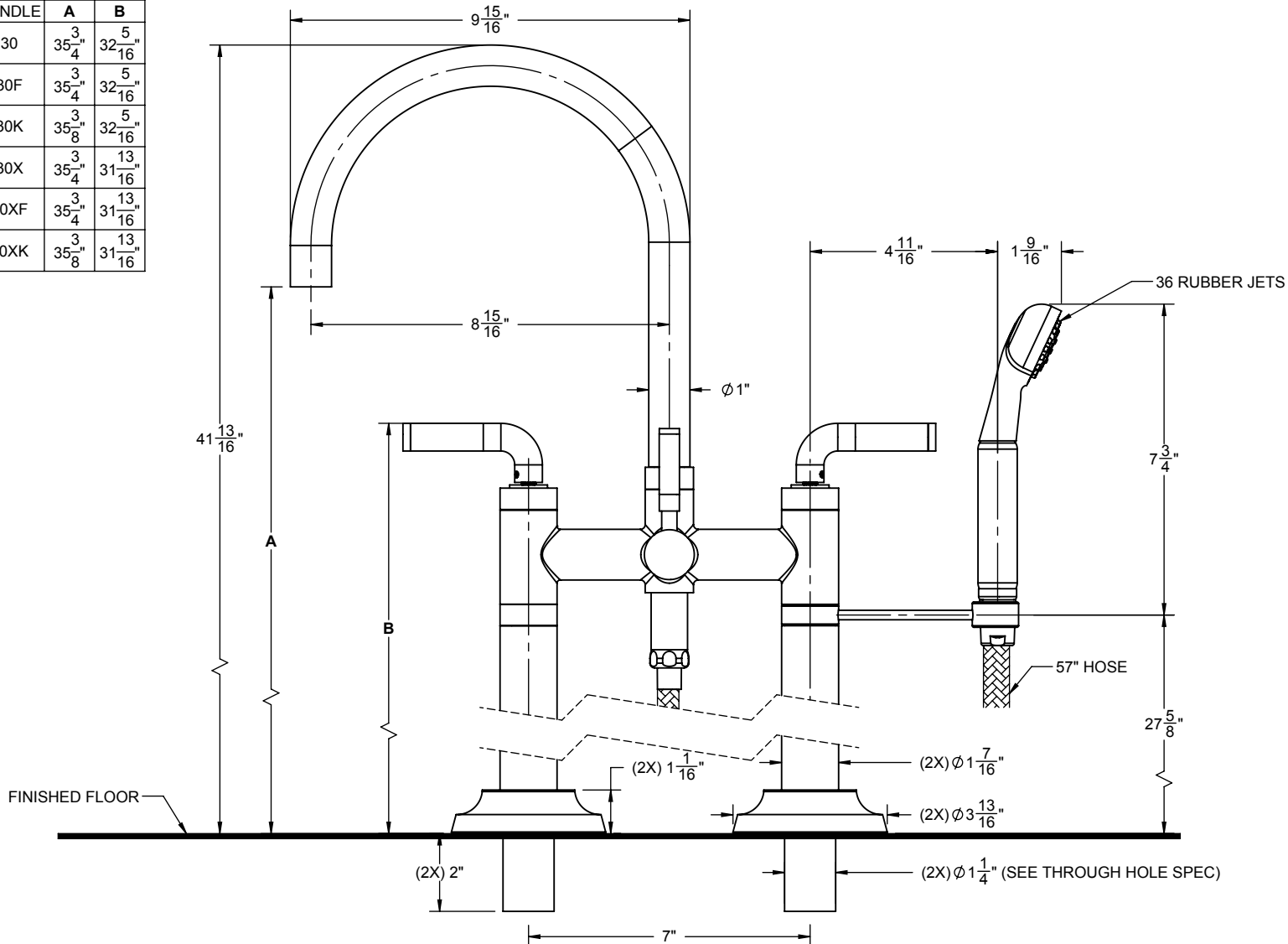
1003-XX.20  
1003-XX.18



1003-30F.FR SHOWN

XX = DENOTES HANDLE SERIES

HANDLE	A	B
30	35 <sup>3</sup> / <sub>4</sub> "	32 <sup>5</sup> / <sub>16</sub> "
30F	35 <sup>3</sup> / <sub>4</sub> "	32 <sup>5</sup> / <sub>16</sub> "
30K	35 <sup>3</sup> / <sub>8</sub> "	32 <sup>5</sup> / <sub>16</sub> "
30X	35 <sup>3</sup> / <sub>4</sub> "	31 <sup>13</sup> / <sub>16</sub> "
30XF	35 <sup>3</sup> / <sub>4</sub> "	31 <sup>13</sup> / <sub>16</sub> "
30XK	35 <sup>3</sup> / <sub>8</sub> "	31 <sup>13</sup> / <sub>16</sub> "



- (8X) CONCRETE TRI-LOBE ANCHOR
- (8X) #10 X 2 STAINLESS STEEL SCREW

THROUGH-HOLE SPECIFICATIONS		
MIN	RECOMMENDED	MAX
Ø 1-1/4"	Ø 1-5/16"	Ø 1-1/2"

SPECIFICATIONS SUBJECT TO CHANGE WITHOUT NOTICE

ALL DIMENSIONS SHOWN TO NEAREST 1/16"