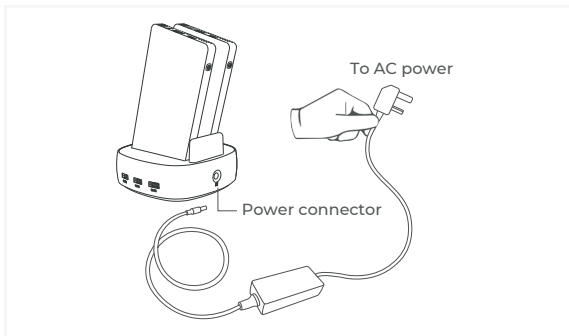


## USER GUIDE

# MULTI POWER BANK WITH DOCKING STATION CIB31S2

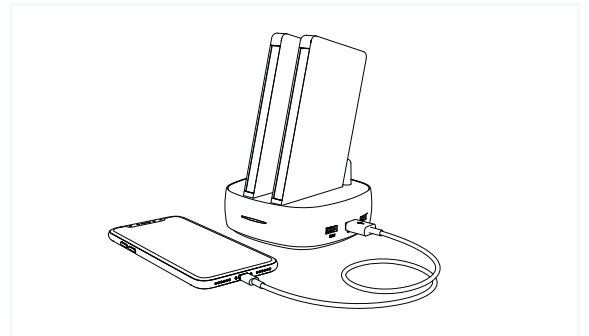
### 1 Powering the Docking Station

Using the power cable supplied plug one end into the dock and the other into the mains.



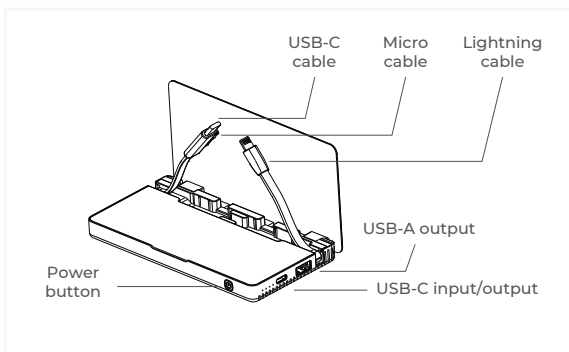
### 2 Dock Ports

Power a phone, tablet etc using 1 of the ports on the side of the dock.



### 3 Using The Power Banks





Connect your device using the built in Lightning, USB-C, Micro USB cables or plug your cable into the USB-C or USB-A ports. Press the power button to wake.



### Specifications

SKU	CIB31S2
Battery Type	Li-Polymer
Capacity	8000mAh 3.8V (30.4Wh)
Rated Capacity	4500mAh 5V(TYP 2.1A)
Output	USB: 5V = 2.1A Lightning / USB-C Cable Micro Cable: 5V = 2.1A
Total output	5.0V = 2.1A (MAX)
Size	Power Bank: ≈139×73×13.3mm Dock: ≈108.5×108.5×55.8mm
Weight	Dock + Power Banks: ≈520g Power Bank: ≈190g

### ! ATTENTION

-  Use original or certified cables.
-  To preserve battery lifespan, use and recharge at least once every 4 months.
-  Don't expose to liquids.
-  Don't disassemble.