

1.25 in (32 mm) Pull-up cross with textured storm grey powdercoat paint for secure grip

3 x 3 inch 11 gauge uprights with laser cut numbers

Bar supports and Optional Bar Catches with UHMW wear guards

Upgradable with Optional Attachments

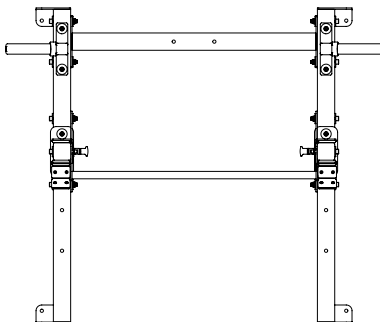


(4) 7.5 in (192 mm) solid steel nylon-covered weight horns for storage and rack stability

1/2 inch socket head cap screws

Model number	XGYM-LSR-5.0-01-F07
Depth x Width	53.8 in X 64.2 in (137 cm x 163 cm)
Height	Frame 82.3 in (209 cm)
Frame Color	Black Satin
Residential Warranty	10 year frame and welds/1 year parts/90 days misc.

TOP VIEW



ATTACHMENT OPTIONS

- DIP/STEP/ATTACHMENT ANCHOR
- PLATFORM & INSERT (N/A ONLY)
- HORIZONTAL GROUND ROTATIONAL TRAINER
- BATTLE ROPE ANCHOR
- BAR CATCHES