



Doors open to two different pulley widths and fold-away when not in use

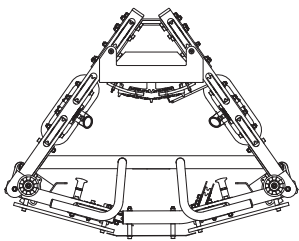


1:2 Weight ratio with two independent 150, 200, or 225 LB weight stack options

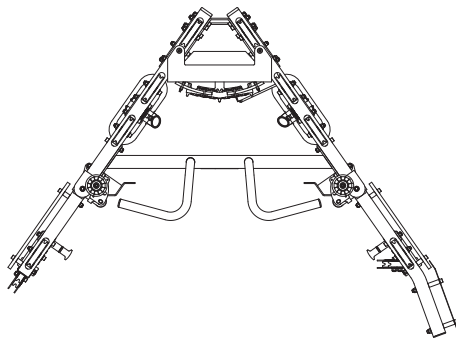
Fits tightly into corner when doors are closed

Model number	F9-001-150LB/200LB/225LB
Dimensions (Doors closed)	37.7 in X 37.7 in (96 cm x 96 cm)
Dimensions (Doors fully open)	64.4 in X 64.4 in (163 cm x 163 cm)
Height	83.8 in (213 cm)
Frame Color	Platinum/Black Satin
Residential Warranty	10 year frame and welds/1 year parts/90 days misc.

TOP VIEW CLOSED



TOP VIEW OPEN



INCLUDED ACCESSORIES

- (2) SHORT STRAP HANDLES
- PRESS BAR
- CHIN-ASSIST STRAP
- LEG BOOT
- SQUAT HARNESS

OPTIONS

- FLAT-INCLINE BENCH (WITH STORAGE INSIDE GYM)