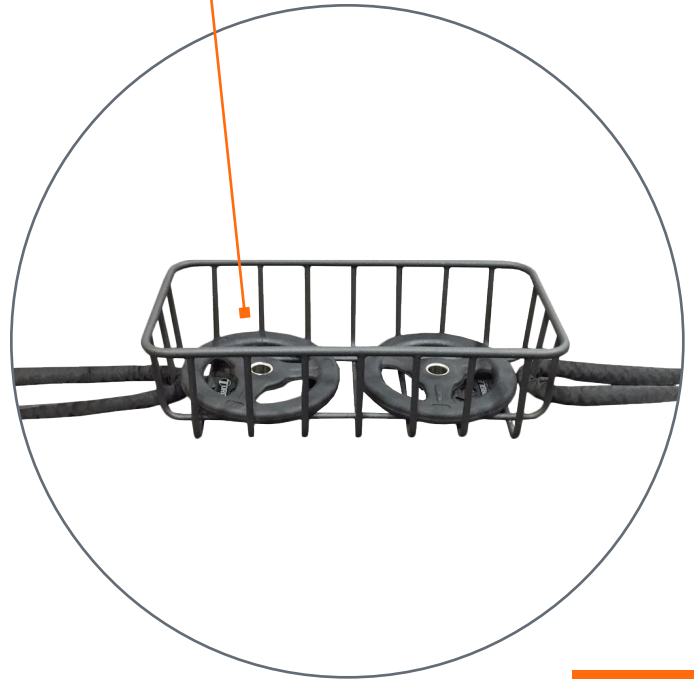
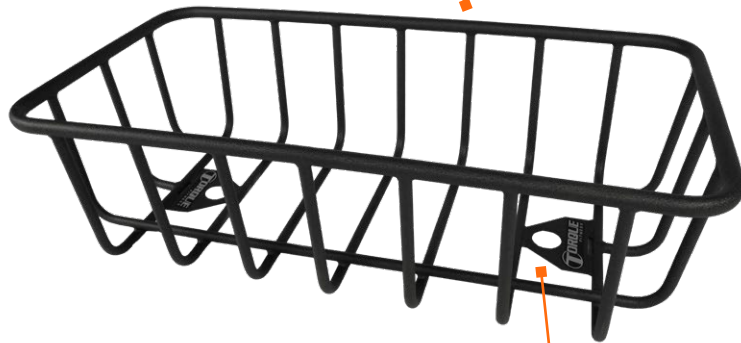


Group Anchor Station (XGAS) allows up to eight battle rope anchor positions.

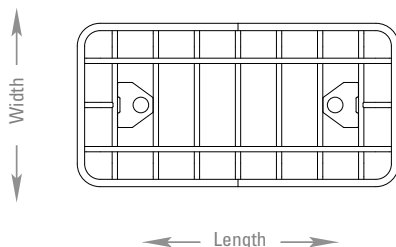
Use weight plates/kettlebells or anything with mass to keep XGAS stationary



Interlocks with TANK for transportation of all training accessories

Model number	XGAS
Footprint (L x W x H)	43.0" x 21.9" x 12.0" (109 cm x 56 cm x 31 cm)
Weight	27 lbs (12.2 kg)
Warranty	10 year frame and welds/1 year finish

TOP VIEW



Note: Weight plates and battle ropes shown in image are not included. XGASBRP4 package is available that includes four battle ropes with the XGAS.

The XTWHK is required for the Tank M4 and M4GT for the XGAS to attach.