

TANK

Assembly Guide

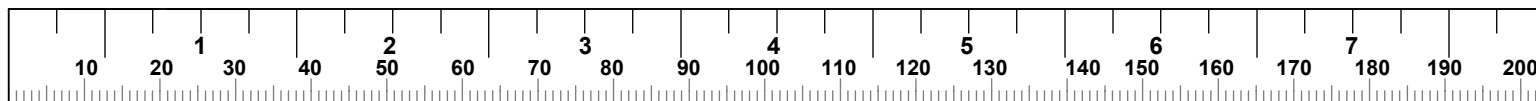
ITEM	PART NUMBER	DESCRIPTION	QTY
1	5661401	ASSY, CHASSIS WITH BRAKE SYSTEM	1
2	5661501	ASSY, REAR FRAME	1
3	2024401	WASHER, 8.4MM X 16MM X 1.8MM CLEAR ZINC	8
4	2009801	SCREW, M8-1.25 X 20L SOC HD GR 12.9	8
5	2010801	WASHER, STEEL 12.7 ID-25 OD-2 THK CLEAR ZINC	2
6	5654501	ASSY, REAR WHEEL 10" DIA X 3" WIDE	2
7	2010901	WASHER, LOCK M12 SAE ST ZN	2
8	2011301	SCREW, M12-1.75 X 30L SOC HD GR 12.9 CLEAR ZINC	2
9	56930PA	PTD ASSY, RH PUSH HANDLE	1
10	56931PA	PTD ASSY, LH PUSH HANDLE	1
11	57144PA	PTD ASSY, UPPER MOUNT (OPTIONAL)	1
12	57145PA	PTD ASSY, LOWER MOUNT (OPTIONAL)	1
13	2001101	WASHER, FLAT 3/8 SAE ST ZN	8
14	2031101	SCREW, 3/8" LAG X 2.5"L CLEAR ZINC	8

TOOLS NEEDED FOR ASSEMBLY:

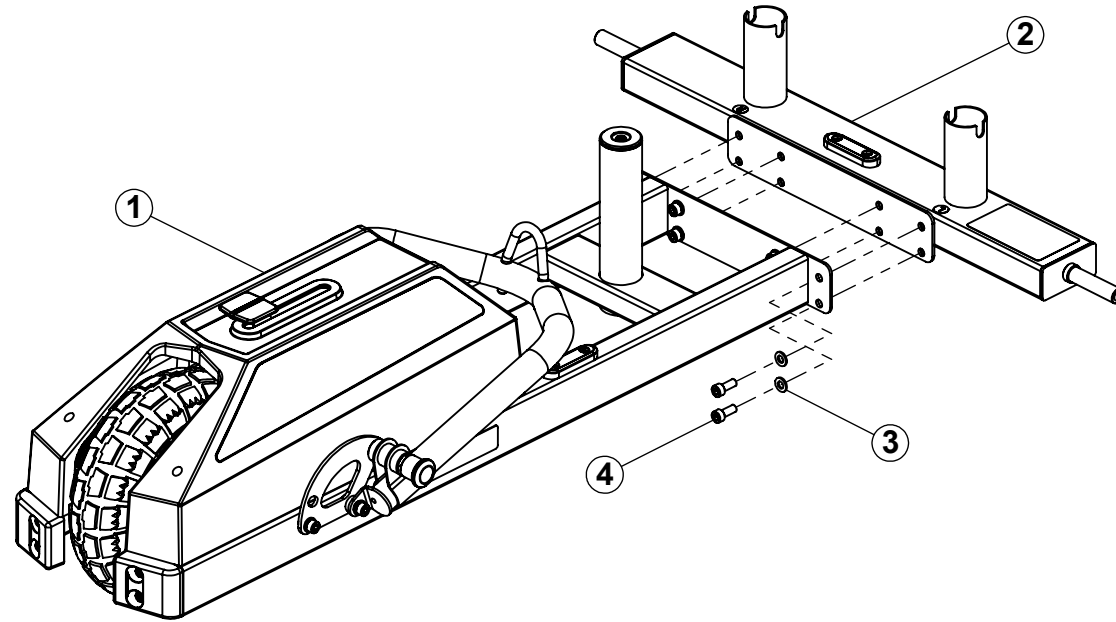
- 10MM ALLEN WRENCH (INCLUDED)
- 6MM ALLEN WRENCH (INCLUDED)

TABLE OF CONTENTS:

- TANK ASSEMBLY: PAGES 3 - 5
- TANK STORAGE (OPTIONAL): 6 - 8
- ADJUSTMENTS: 9 - 10
- INSPECTION & LUBRICATION: PAGE 11

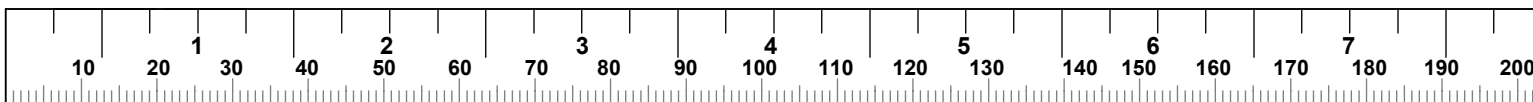


STEP 1

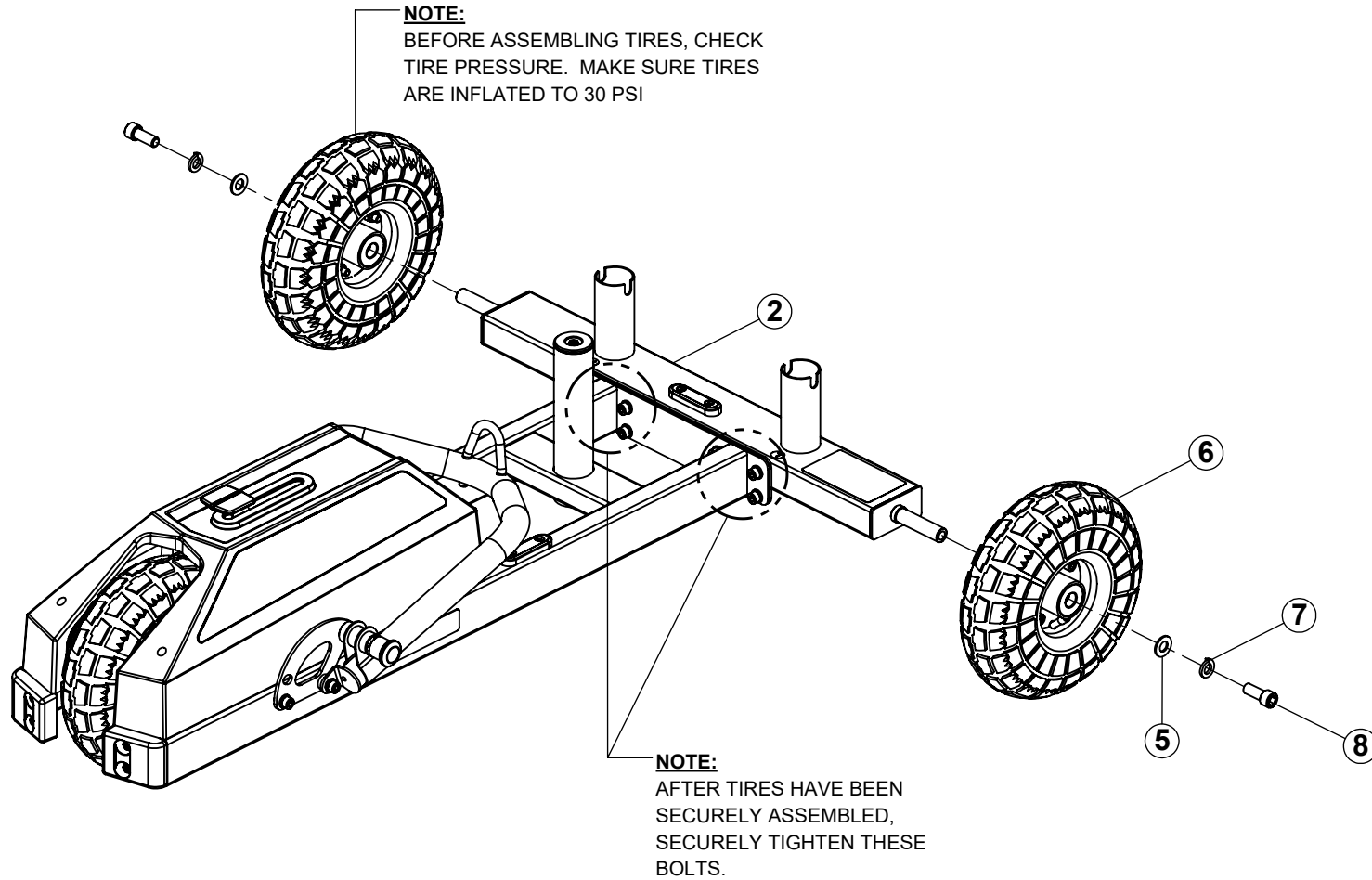


NOTE:

LOOSELY tighten bolt connections in this step.

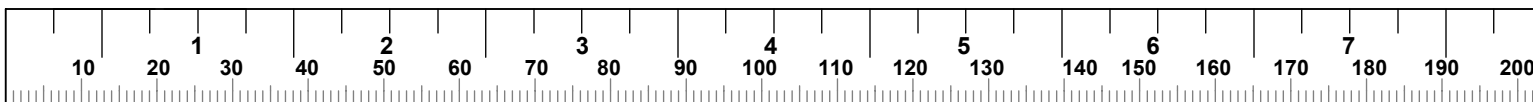


STEP 2

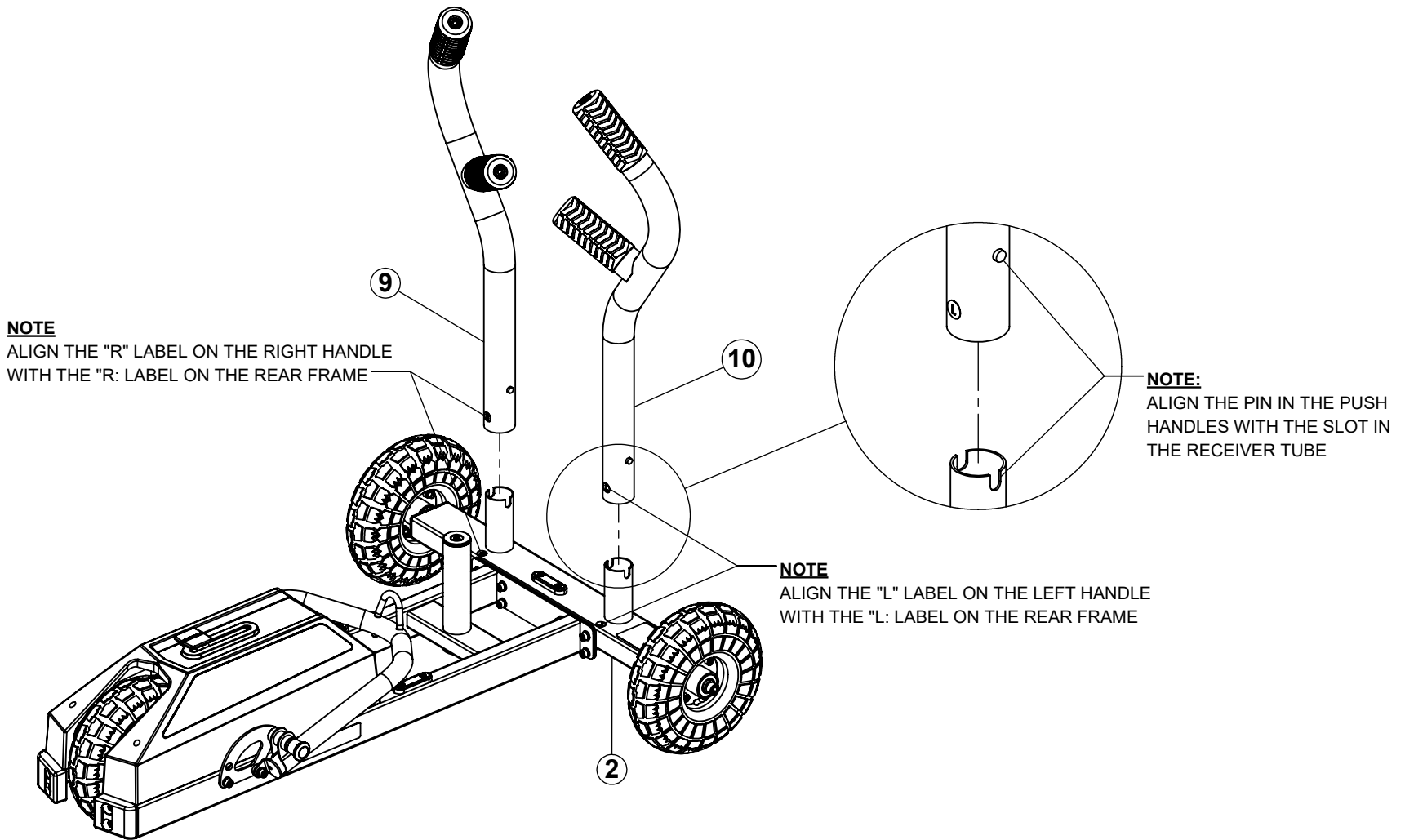


NOTE:

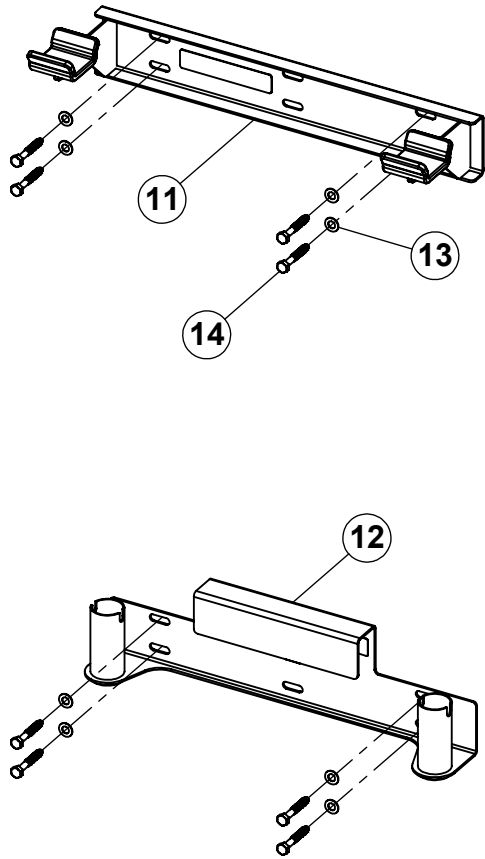
SECURELY tighten all bolt connections in this step and previous step.



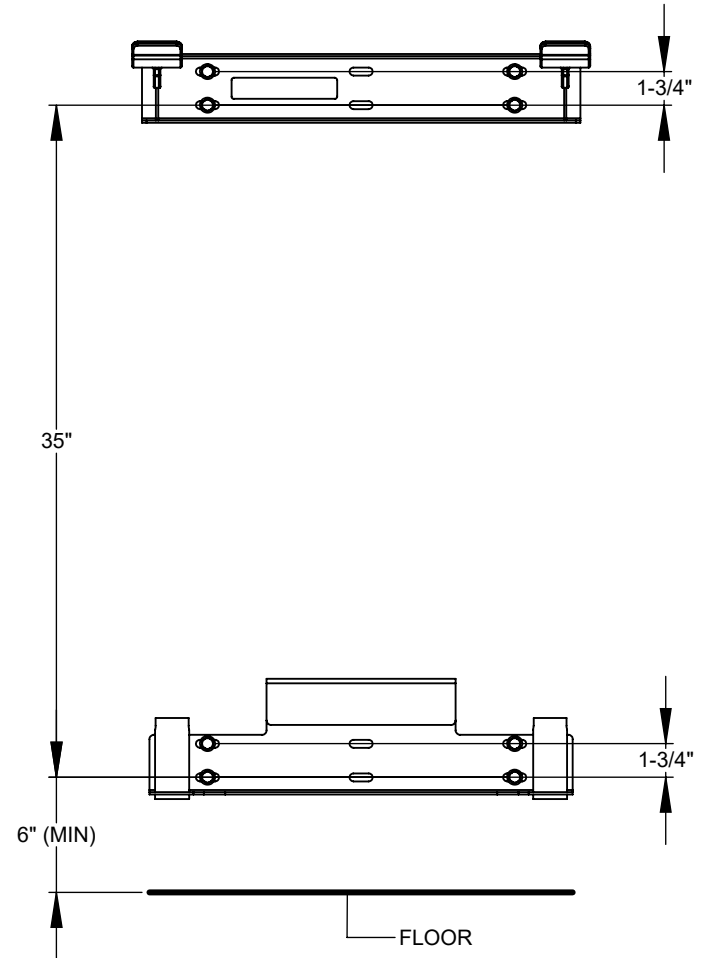
STEP 3



**XTWMH
WALL MOUNT HANGER (OPTIONAL)**



WARNING:
THE UPPER MOUNT **MUST** BE ANCHORED TO THE WALL USING FOUR WALL ANCHORS SUITABLE FOR THAT PARTICULAR WALL CONSTRUCTION.

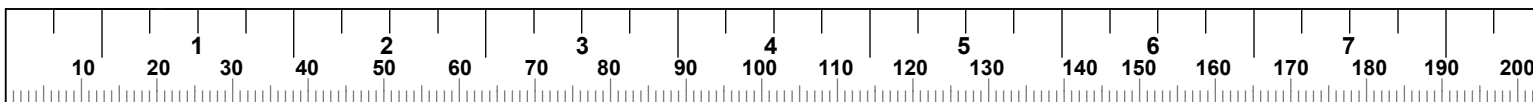


WARNING:
THE LOWER MOUNT **MUST** BE ANCHORED TO THE WALL USING FOUR WALL ANCHORS SUITABLE FOR THAT PARTICULAR WALL CONSTRUCTION.

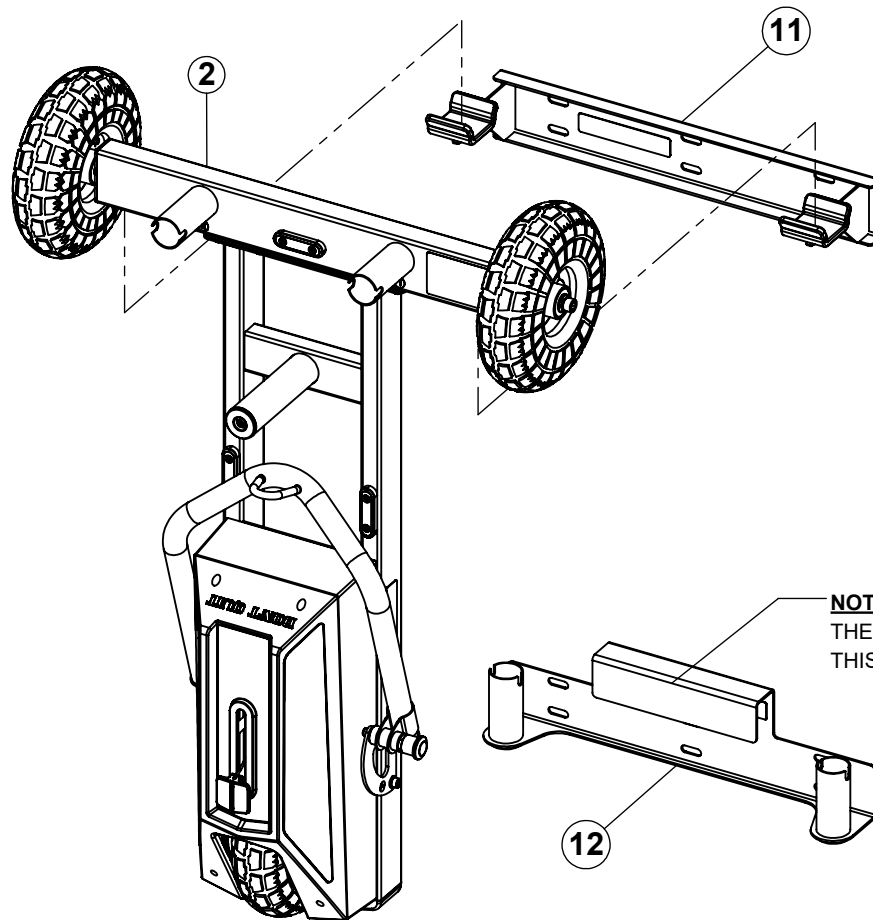
NOTES:

The images above show the anchoring hardware used for attaching to typical walls with wood studs spaced 16" on center. The anchors used will depend on the wall construction. In all cases, at least four anchoring locations must be used. The pull-out strength of the anchoring bolts used must be greater than or equal to 200 lbs. (91 kg)

SECURELY tighten bolt connections in this step.

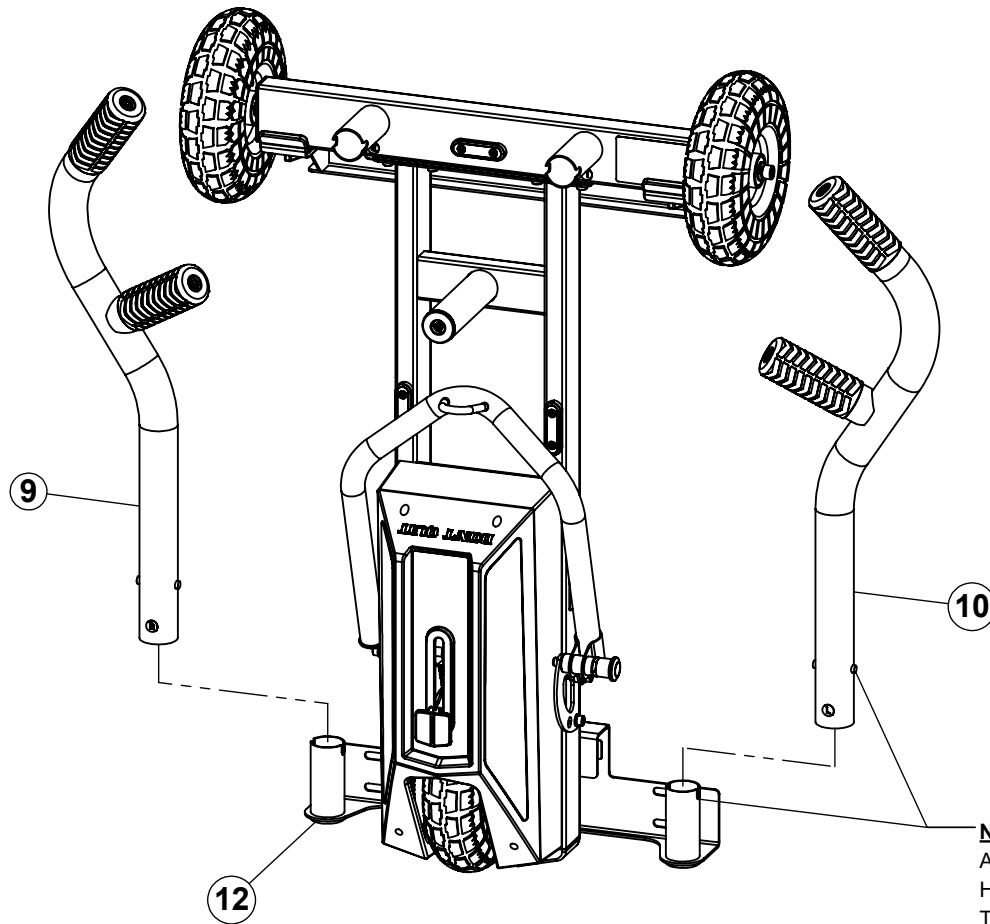


**XTWMH
WALL MOUNT HANGER (OPTIONAL)**



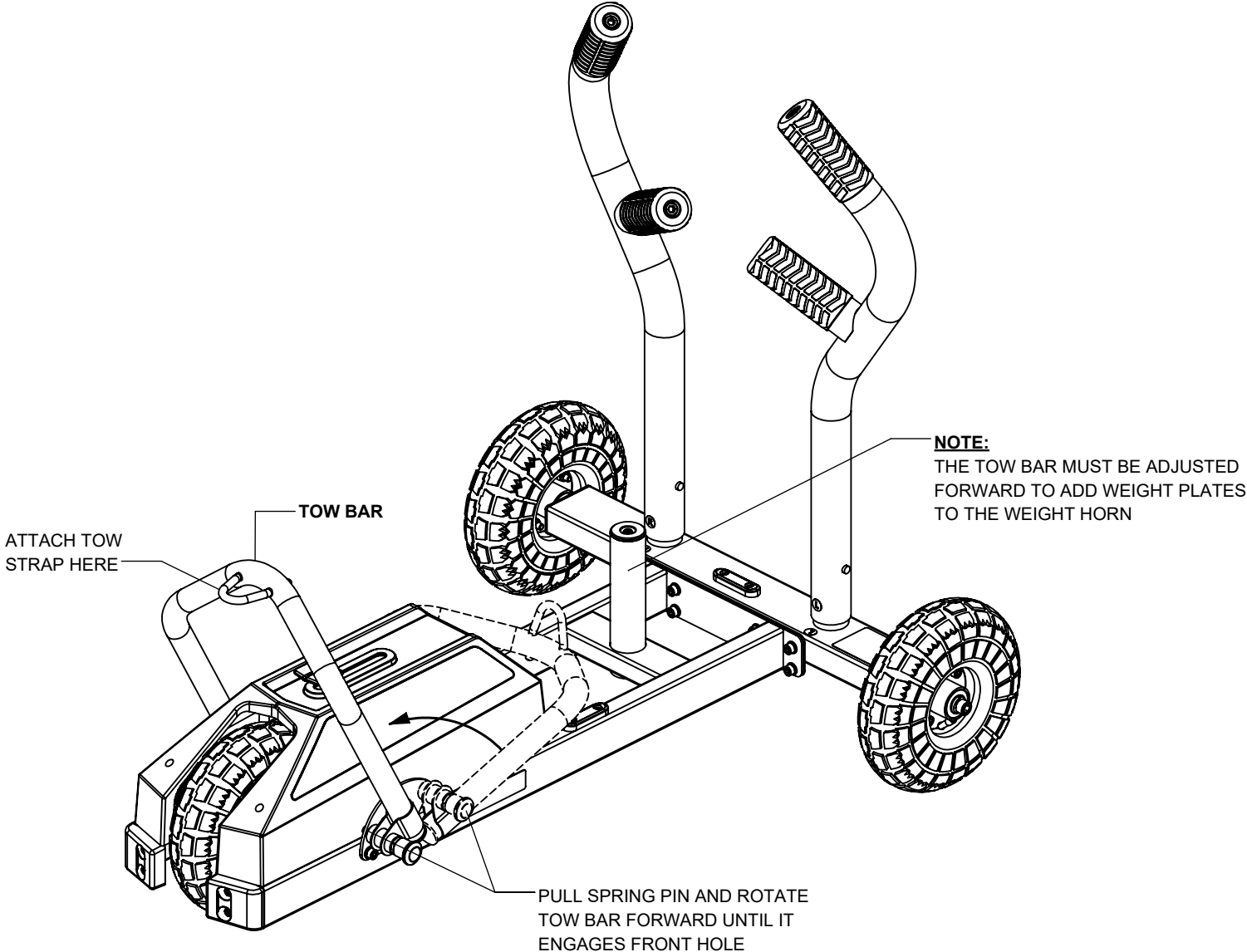
NOTE:
THE FRONT TIRE WILL REST ON
THIS SURFACE WHEN STORED

**XTWMH
WALL MOUNT HANGER (OPTIONAL)**

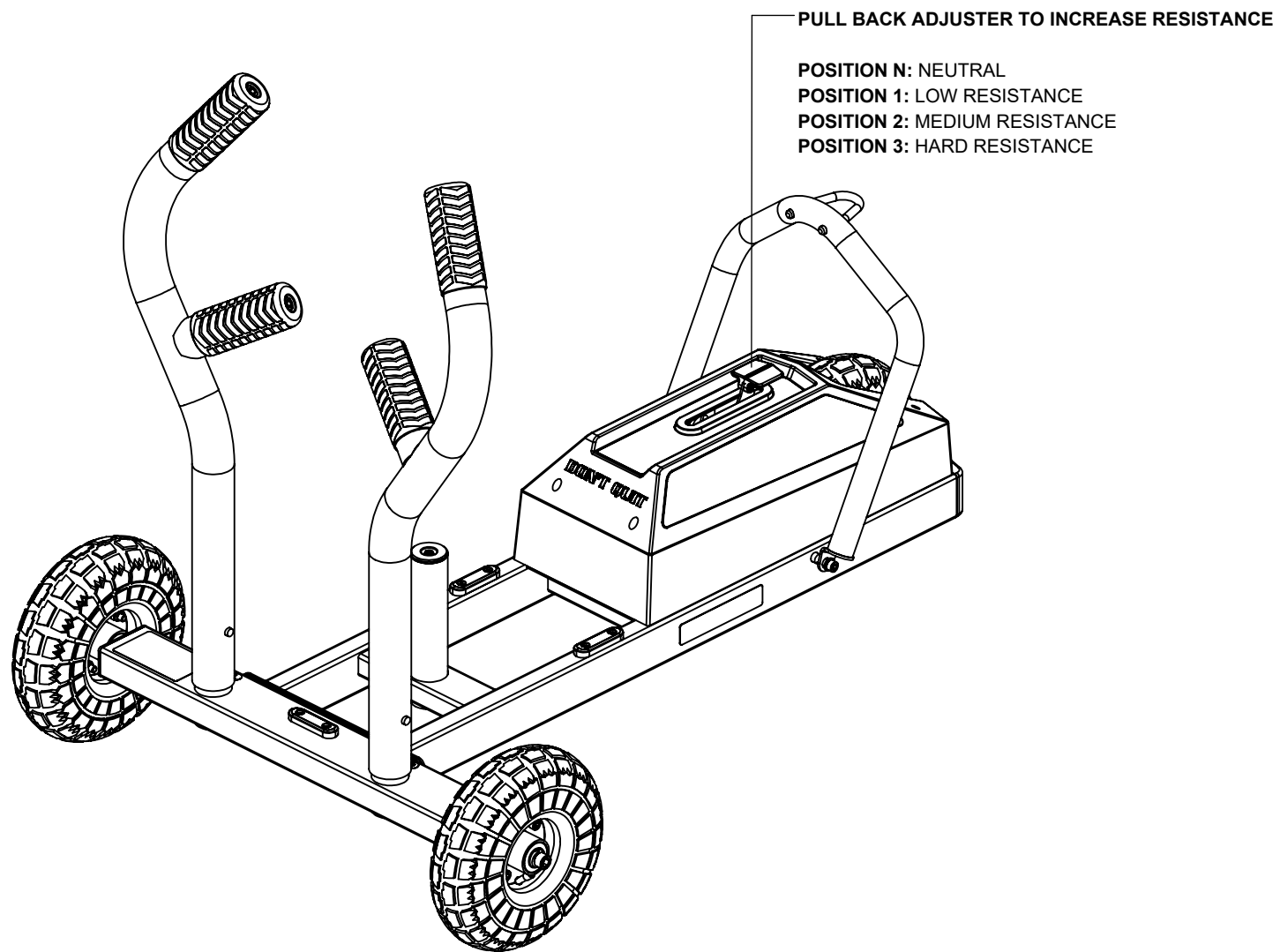


NOTE:
ALIGN THE PIN IN THE PUSH
HANDLES WITH THE SLOT IN
THE RECEIVER TUBE (2X)

XTTM1 TOW BAR ADJUSTMENT



XTTM1 RESISTANCE ADJUSTMENT



INSPECTION & LUBRICATION

INSPECTION:

ATTENTION:

PLEASE ENSURE THAT ALL TIRES ARE INFLATED TO 30 PSI. FAILURE TO DO SO MAY RESULT IN TANK VEERING DURING USE.

Once a month, check for loose bolts on frame and wheels. Tighten if necessary.

Once a month, remove shroud and check that the chain and sprockets are clean, free of rust, dust and grime. Make sure that the chain is properly lubricated.

LUBRICATION:

Once a month, the sprockets should be cleaned and the chain should be lubricated.

RECOMMENDED LUBRICATION: Use a Dry lubrication for indoor use, and wet lubrication for outdoor use. Most bicycle shops carry a variety of different lubricants and can recommend a lubricant based on the conditions where the TANK will be used.

