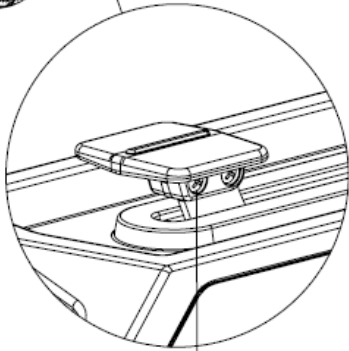
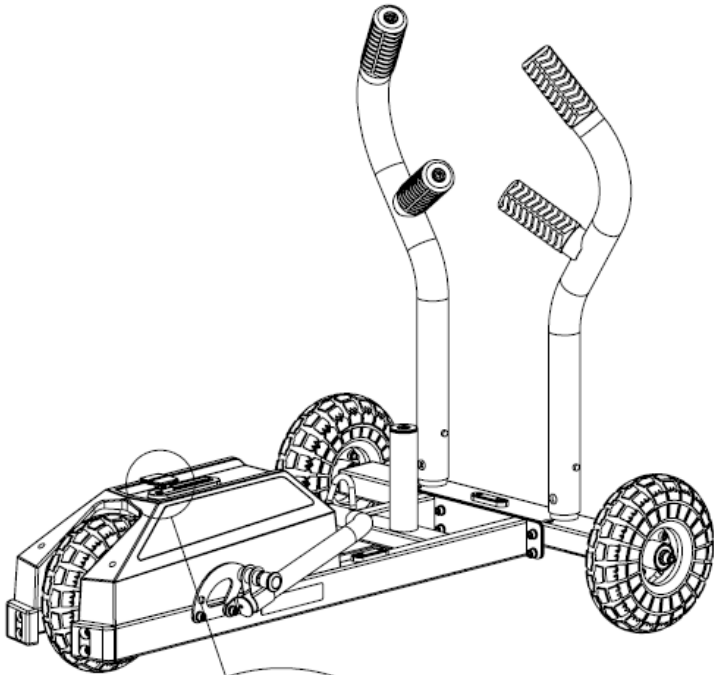


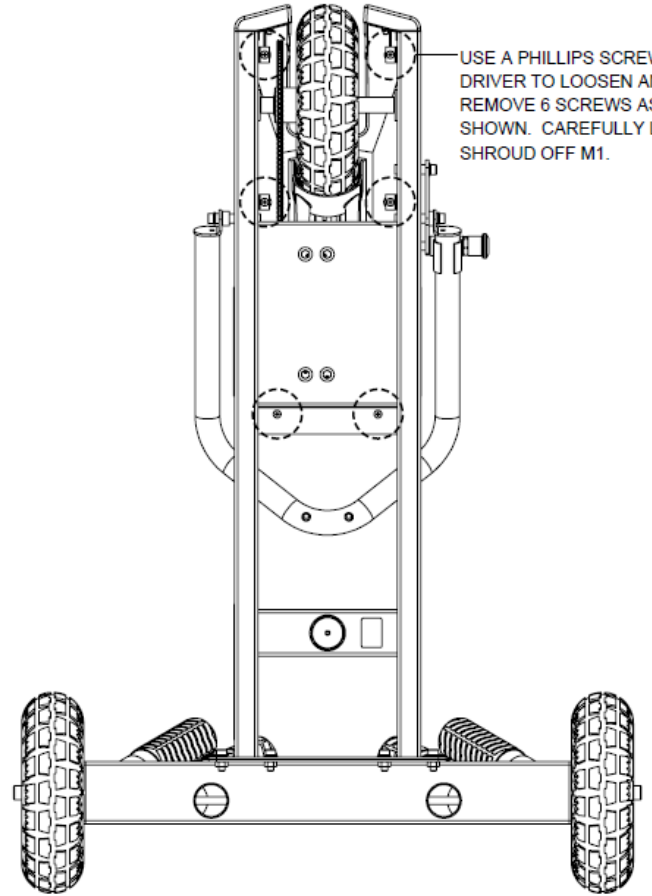
To replace the inner tube and/or tire in the front wheel, there are a few steps to it, but they aren't too intricate. You would need to remove the plastic cover of the M1 to access the Front Drive Wheel Assembly.

### **SHROUD REMOVAL - STEP 1**



USE A PHILLIPS SCREW DRIVER TO LOOSEN AND REMOVE 2 SCREWS AND CAREFULLY REMOVE HANDLE.

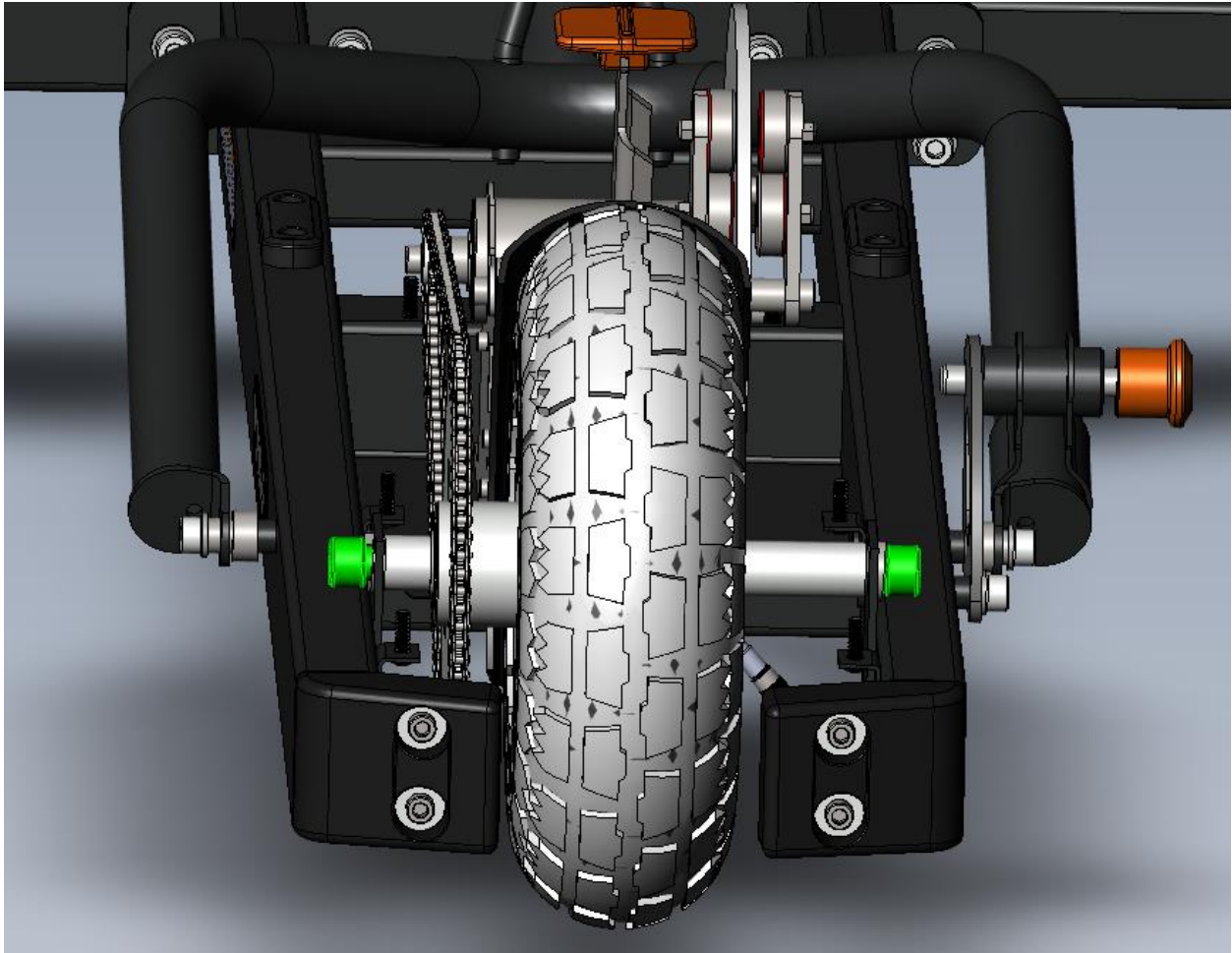
### **SHROUD REMOVAL - STEP 2**



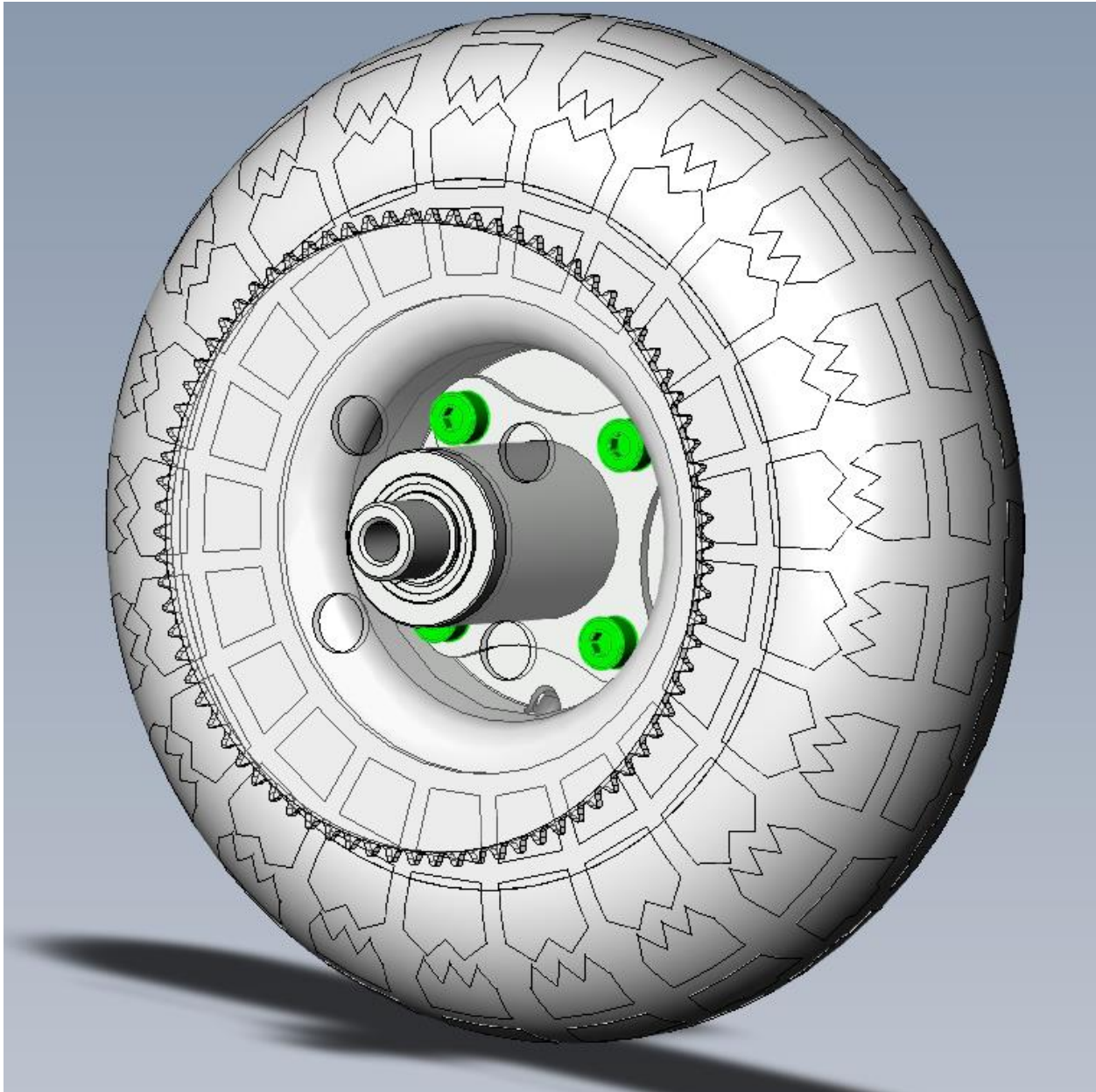
USE A PHILLIPS SCREW DRIVER TO LOOSEN AND REMOVE 6 SCREWS AS SHOWN. CAREFULLY LIFT SHROUD OFF M1.

**BOTTOM VIEW**

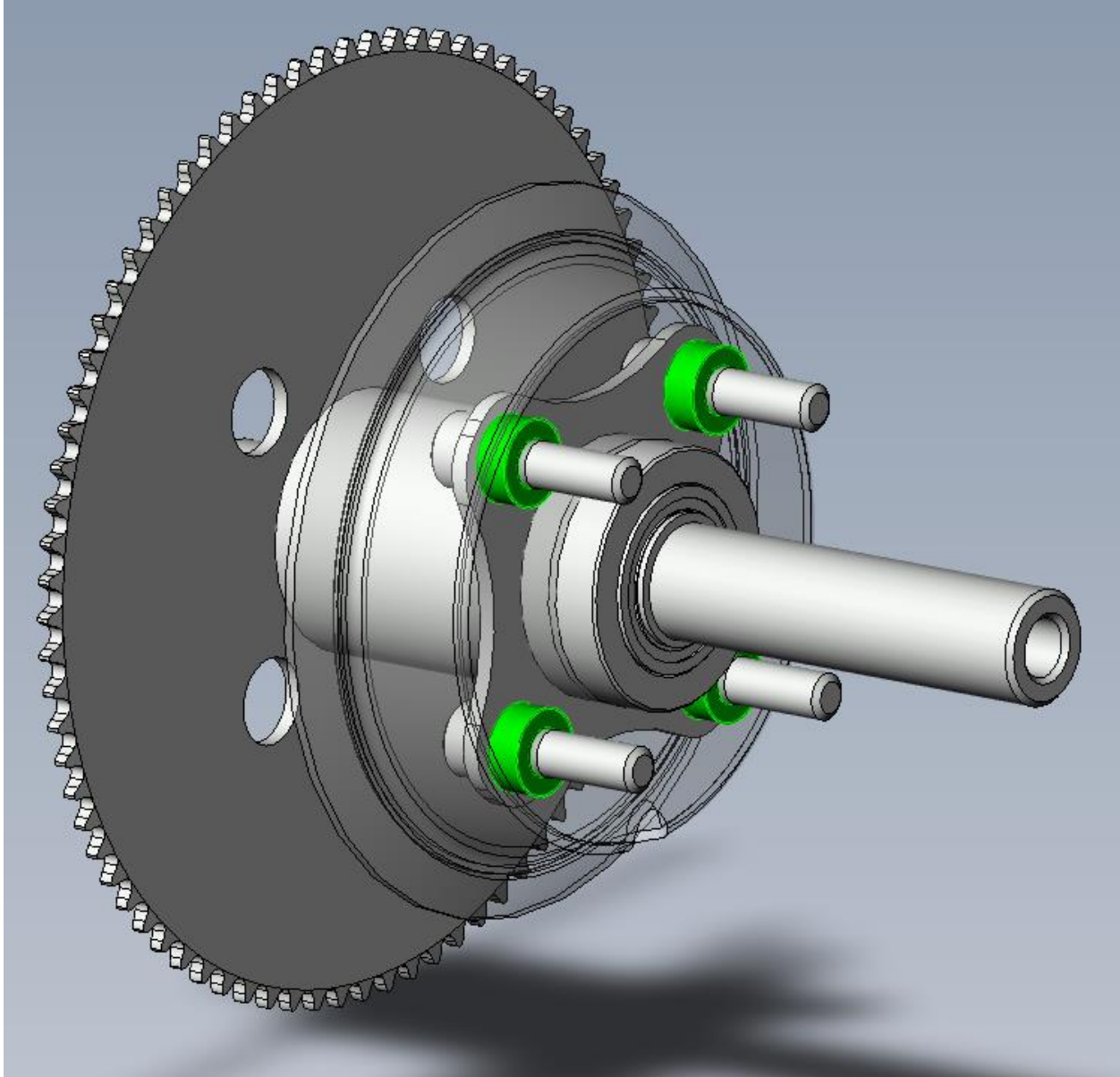
Once the shroud is removed, there are two bolts holding the front drive assembly to the frame. Loosen the bolts by using the allen wrench included with the Tank M1. If the bolts are hard to turn loose with the wrench, you may need to tap the wrench with a rubber mallet or hammer to relieve tension caused by the locking washers. As you are loosening the bolts, hold onto the shaft of the axle to prevent it from spinning.



Removing the two bolts and chain frees up the drive assembly. Remove the four bolts holding the rim in place using the allen wrench included with the M1 and a 13mm socket. While removing the bolts to the rim, there are four spacers that are in-between the bracket that is welded to the axle and the outside of the rim. Keep the spacers with the bolts as they will be needed during assembly.







Once the rim is split, you now have access to both the inner tube and tire. To remove the inner tube from the tire, you will need to peel away the tube as the rubber may have bonded with the tire. When installing the replacement inner tube in the tire, you may need to partially inflate the tube to prevent it from getting pinched by the rim during reassembly.

Work in reverse order to reassemble the drive wheel assembly and Tank M1. Once the wheel assembly is back together, inflate the inner tube to 30psi. If needed, the 90-degree extension piece that came installed on the original inner tube can be secured fastened to the valve stem or left off at this time.