

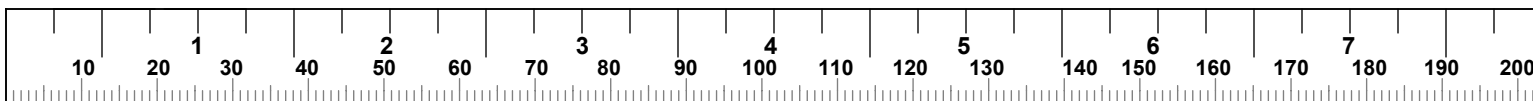
BALL TARGET

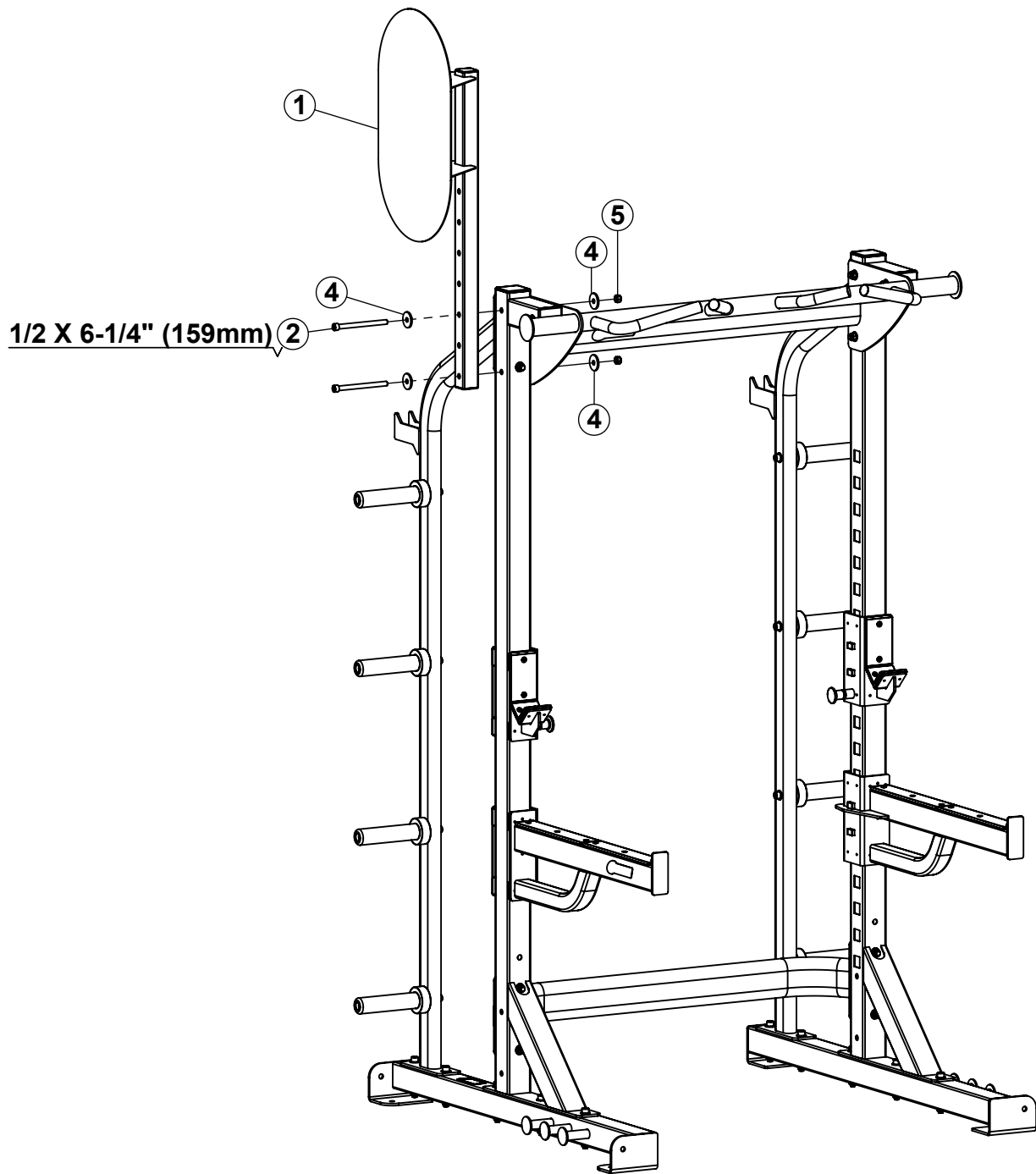
Assembly Guide

ITEM	PART NO	DESCRIPTION	QTY
1	54615PA	PTD ASSY, BALL TARGET	1
2	2005824	BOLT, 1/2-13 X 6-1/4" (159mm) SOCKET HEAD	2
3	2005822	BOLT, 1/2-13 X 5-3/4" (146mm) SOCKET HEAD	2
4	2007801	WASHER, 1/2 ID X 1-3/4 OD X 4.5t ST ZN	4
5	2001401	NUT, 1/2-13 LK ST ZN	2

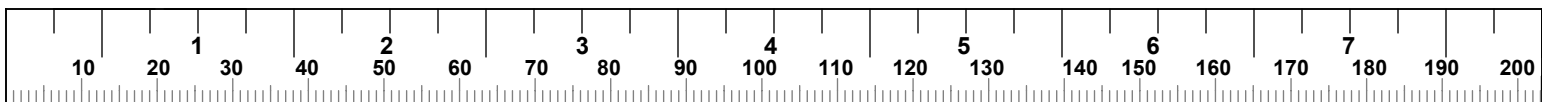
Assembly Instructions:

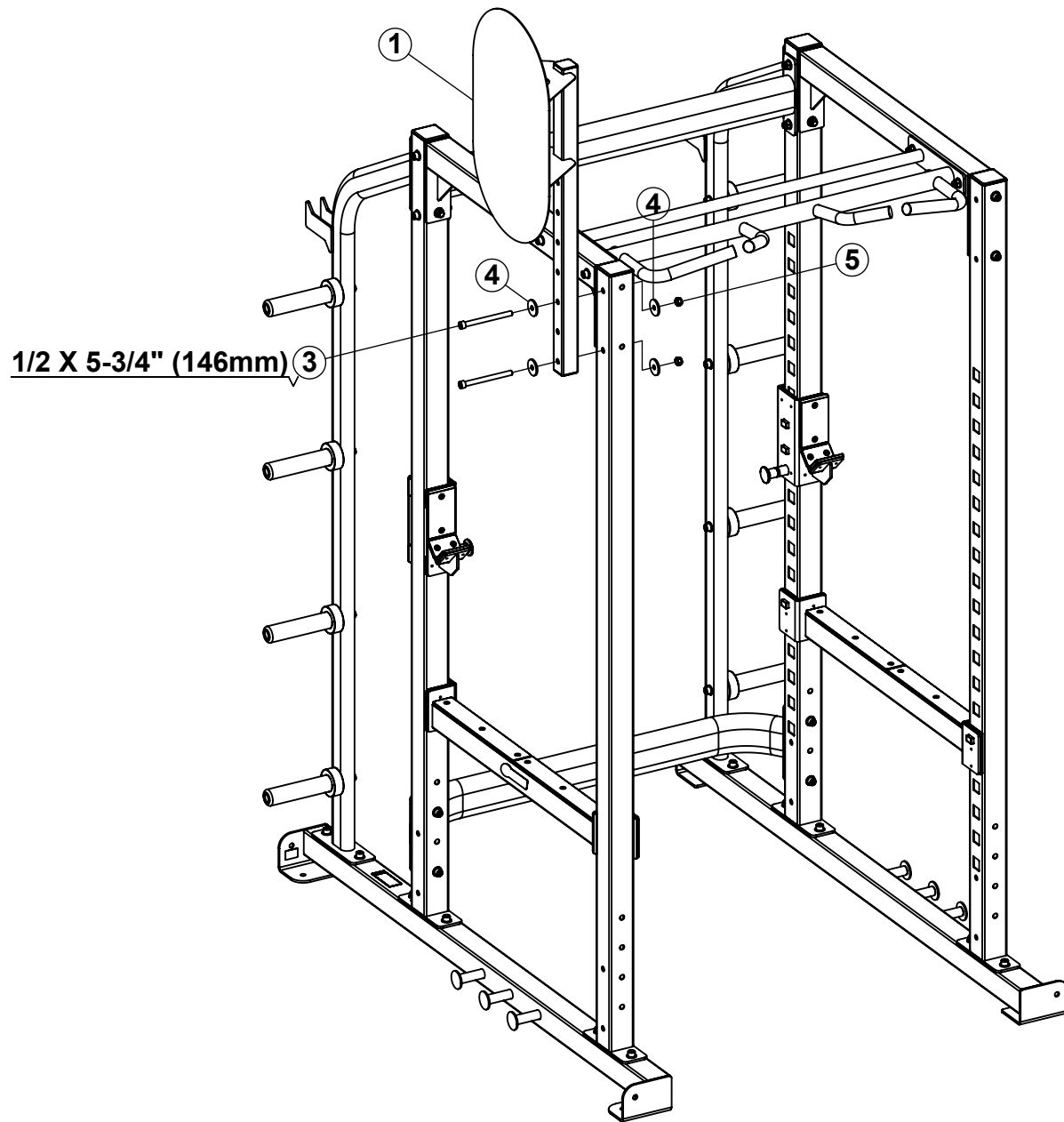
- **To assemble BT to the HC refer to page: 3**
- **To assemble the BT to the PC refer to pages: 4 - 5**
- **To assemble BT to the X-LAB refer to page: 6**
- **To assemble the BT to the X-RACK refer to pages: 7 - 8**
- **To assemble the BT to the WARRIOR ELITE refer to pages 9 - 10**



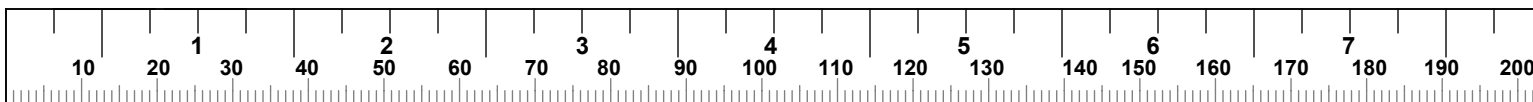


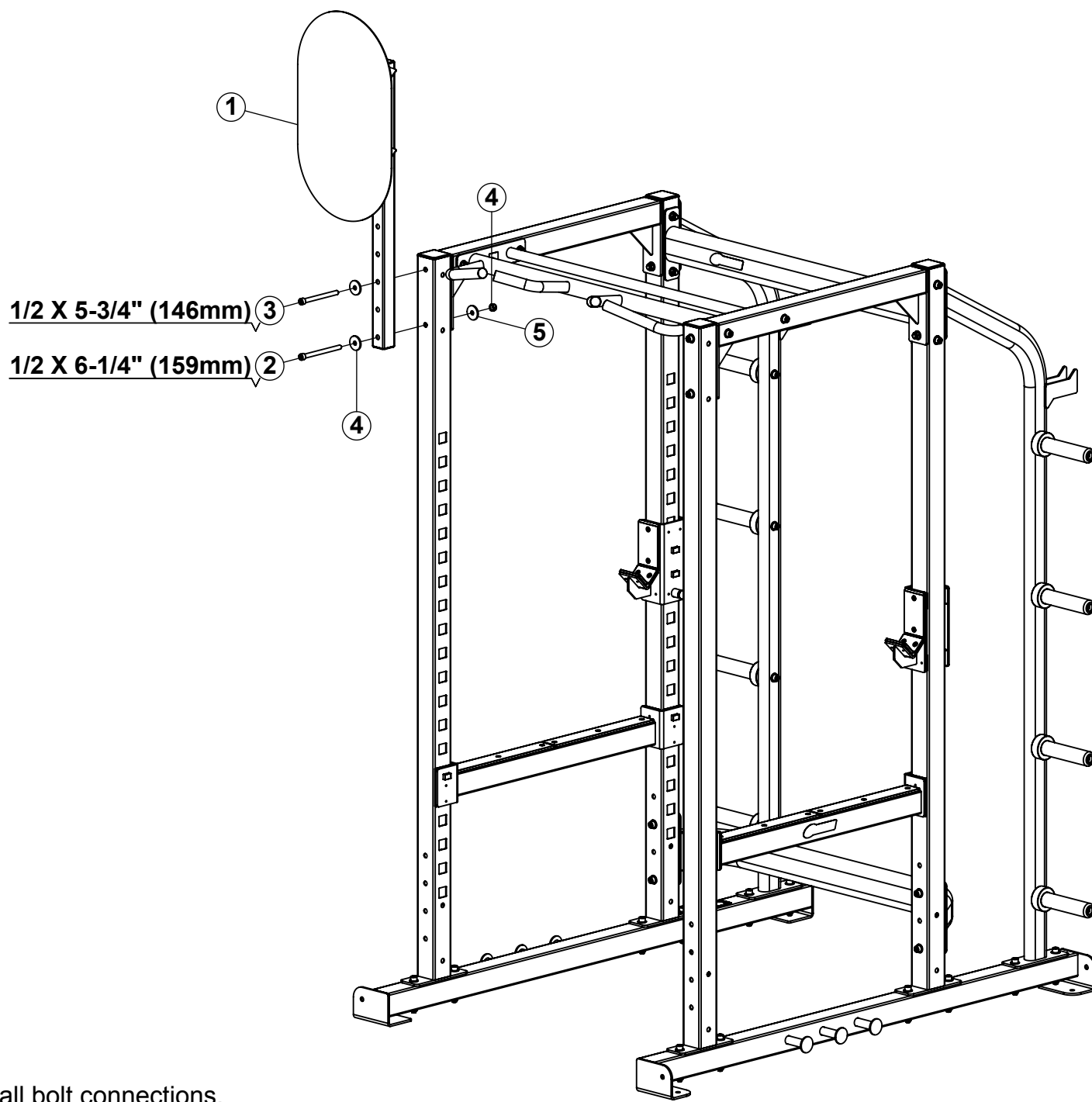
SECURELY tighten all bolt connections.



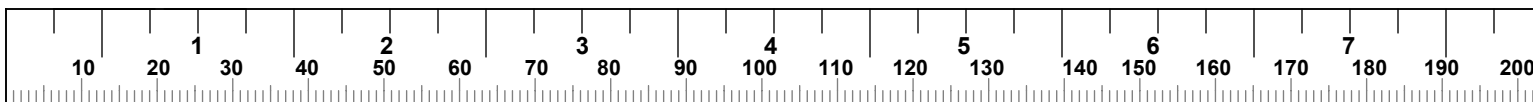


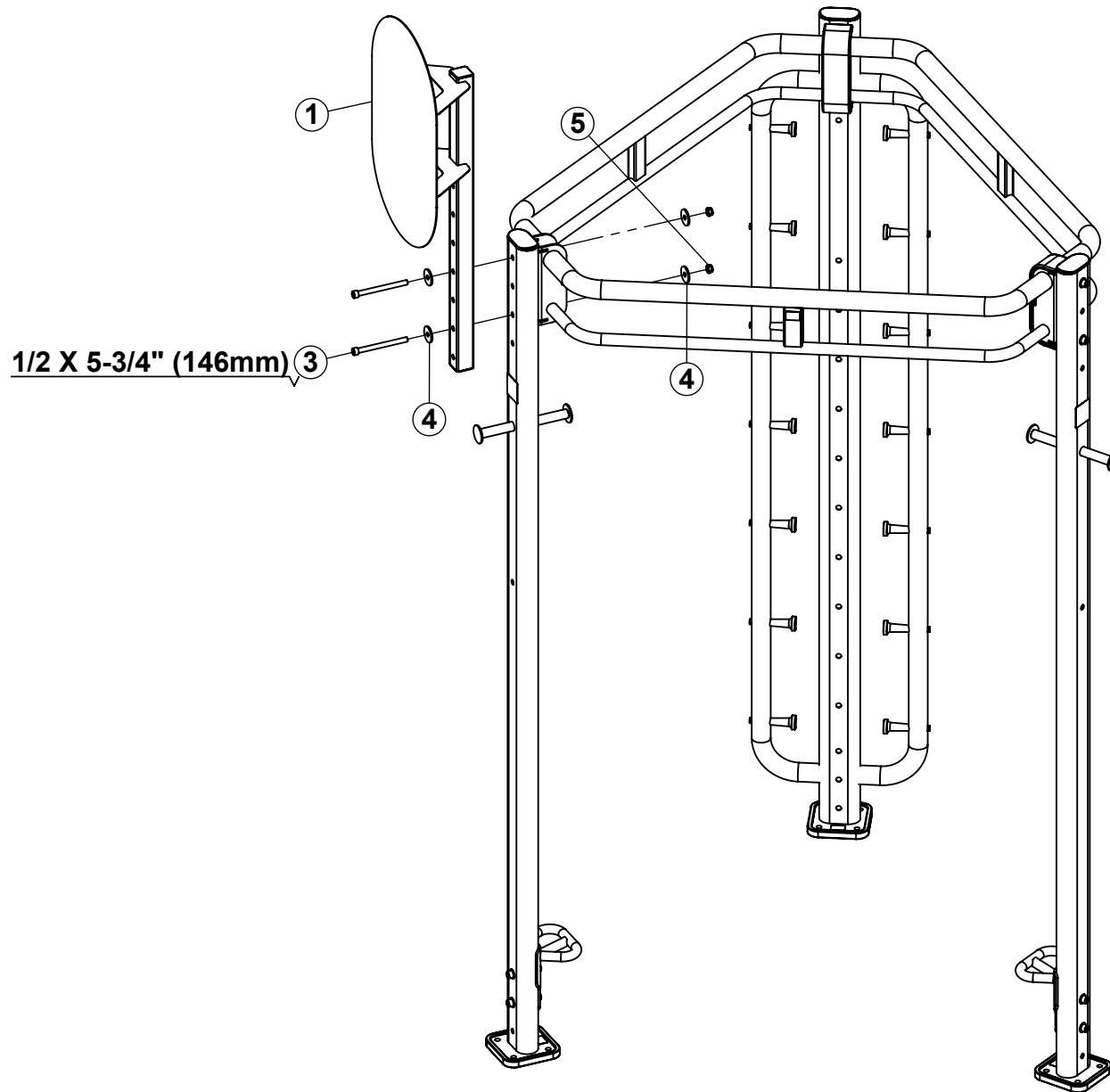
SECURELY tighten all bolt connections.



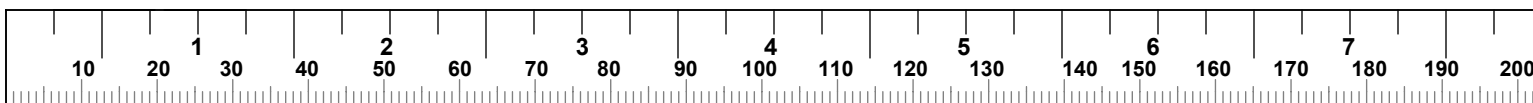


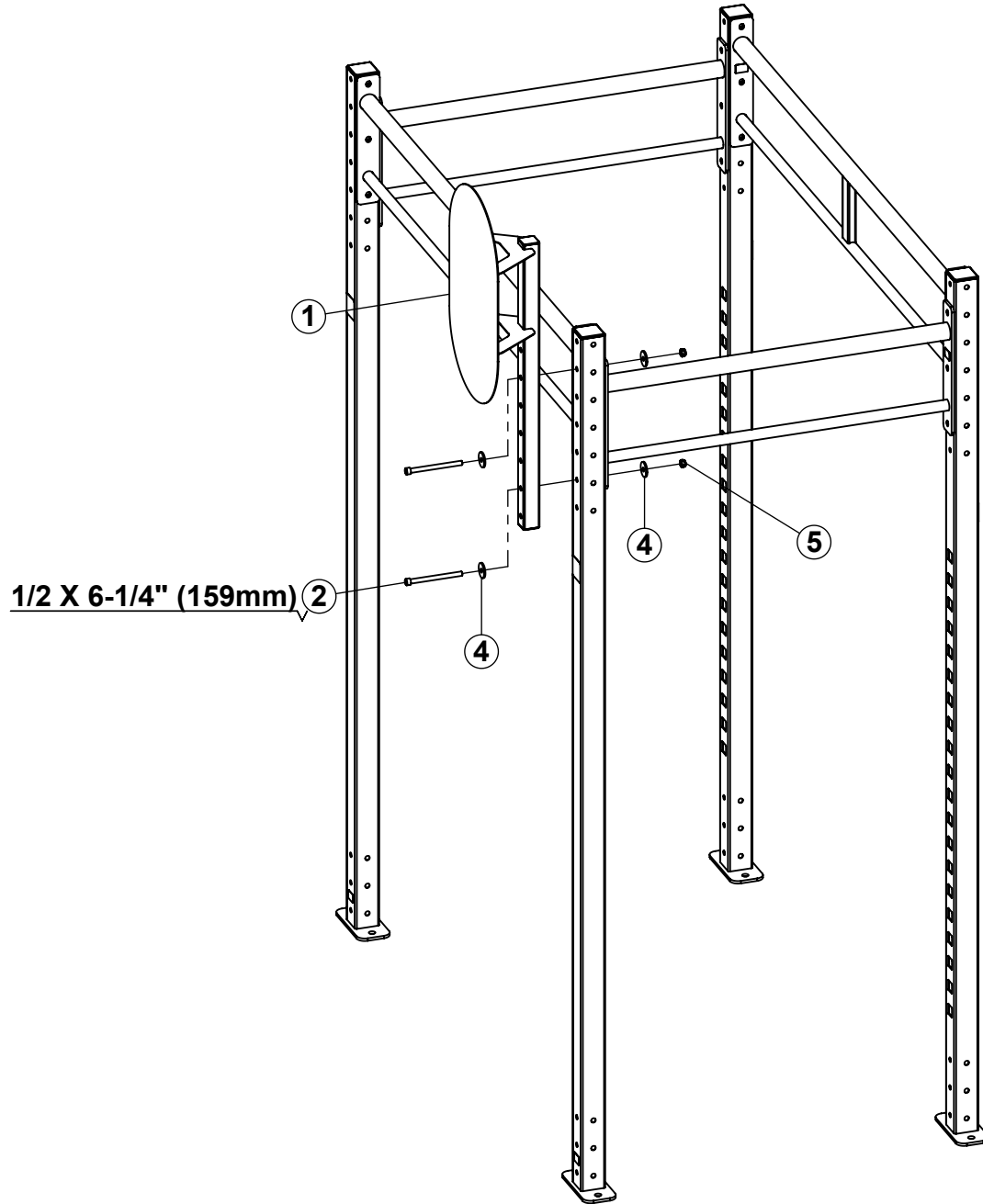
SECURELY tighten all bolt connections.



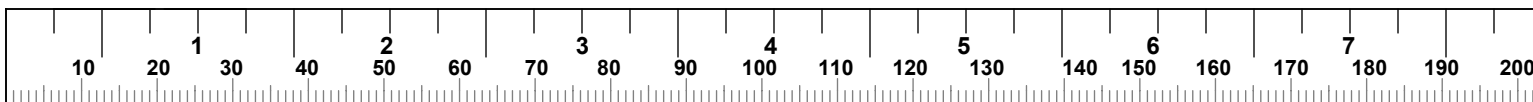


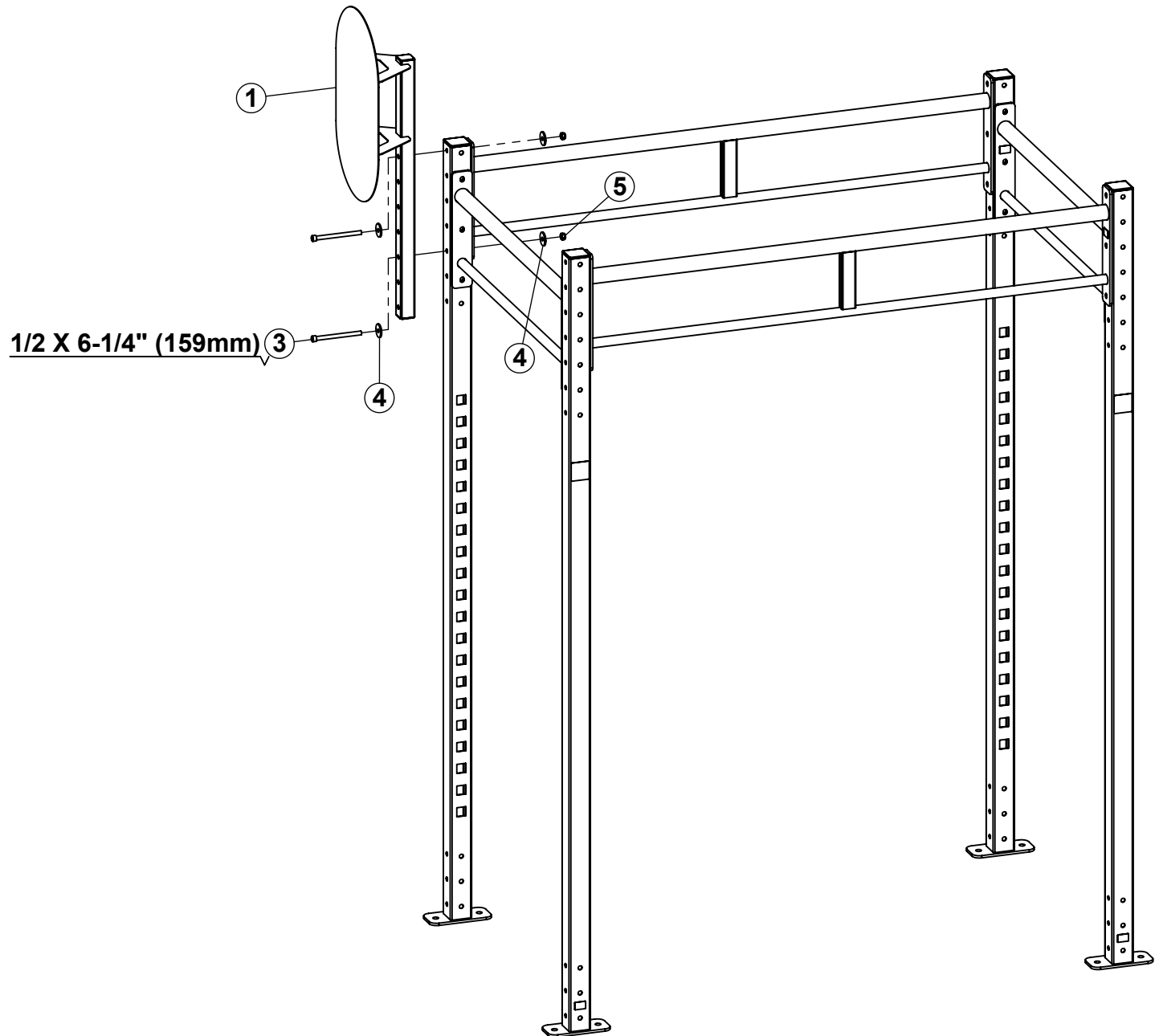
SECURELY tighten all bolt connections.



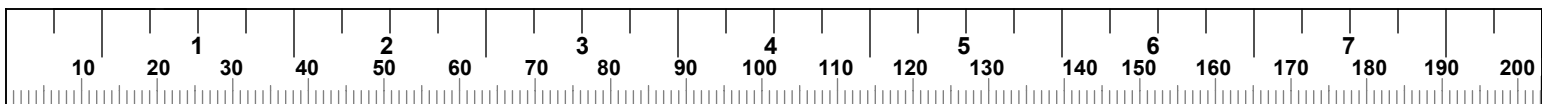


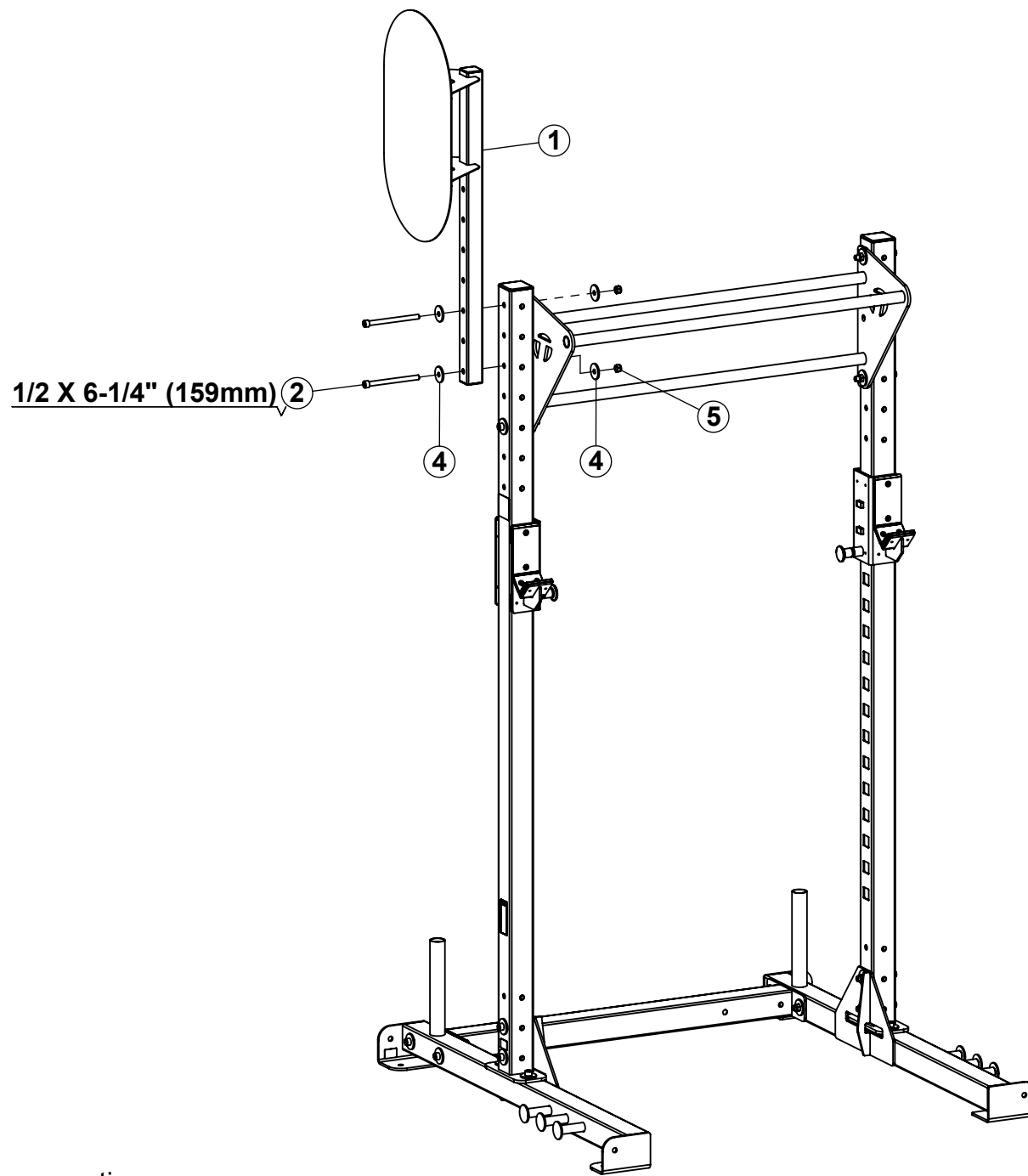
SECURELY tighten all bolt connections.



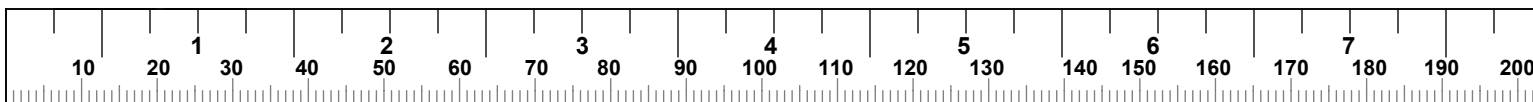


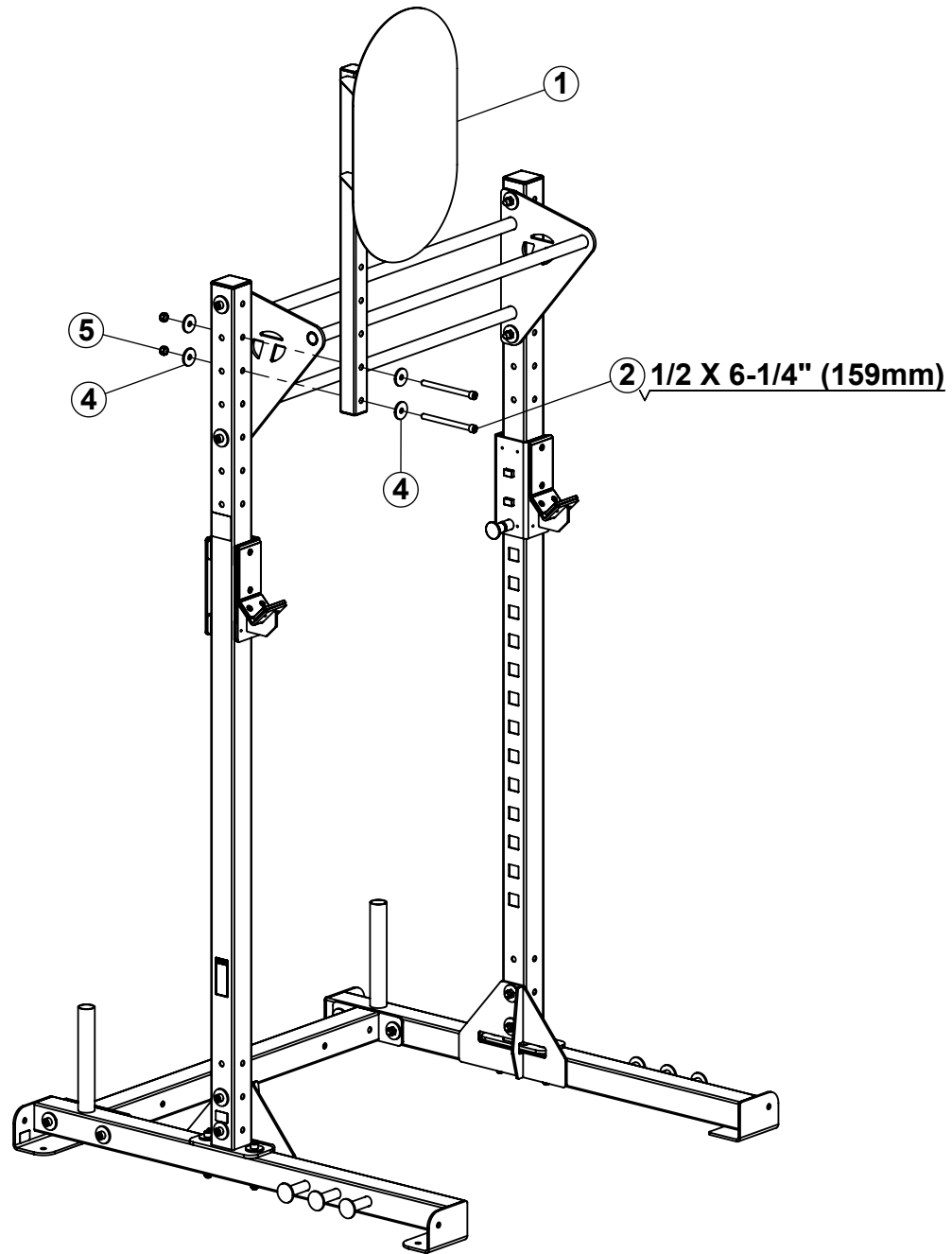
SECURELY tighten all bolt connections.





SECURELY tighten all bolt connections.





SECURELY tighten all bolt connections.

