

## TR SERIES COMPONENTS FLYER

## 2024 TR SERIES COMPONENTS

### BAR SUPPORT (2 PIECS, PAIR)



**Product Code: BS**

#### DESCRIPTION

- Included with XCREATE-8OLS.
- Polyurethane wear guards protect uprights and Olympic Bars.
- 850 lb (385 kg) maximum training weight.
- Aluminum knob spring pins prevent disengagement with the uprights.

#### COMPATIBILITY

TR-1	✓
TR-2	✓
X-Create	✓
X-Rack	✓
X-Siege	✓

### BAR CATCH (2 PIECS, PAIR)



**Product Code: BC**

#### DESCRIPTION

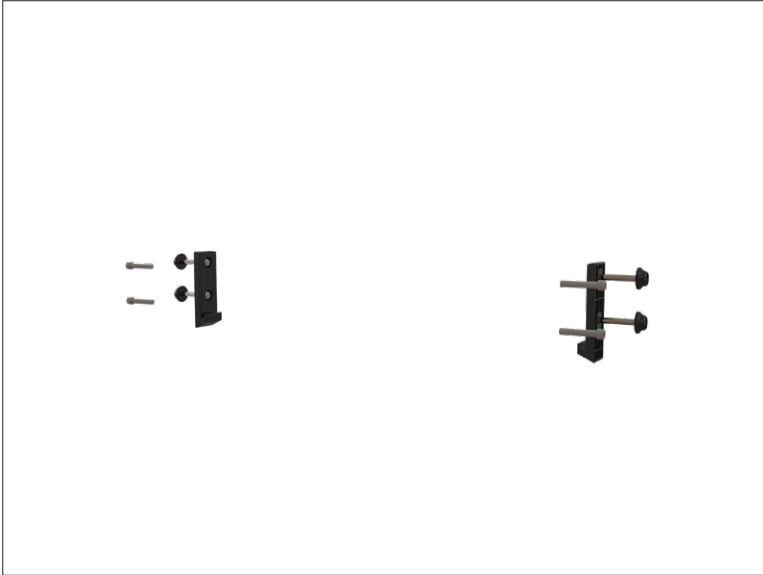
- Sold as a pair.
- Polyurethane wear guards protect uprights and Olympic Bars.
- 850 lb (385 kg) maximum training weight.

#### COMPATIBILITY

TR-1	✓
TR-2	✓
X-Create	✓
X-Rack	✓
X-Siege	✓

## 2024 TR SERIES COMPONENTS

### BAR CATCH STORAGE ATTACHMENT



**Product Code: BCSA**

#### DESCRIPTION

- Durable storage for Bar Catches
- Only compatible with BC-106

#### COMPATIBILITY

TR-1	✓
TR-2	✓
X-Create	✓
X-Rack	
X-Siege	

### BALL TARGET



**Product Code: BT**

#### DESCRIPTION

- Oval design allows for 8' and 10' target heights.
- Fully welded construction with no bolts on target that could damage wall balls.
- Compatible with most X-Series systems except X-Create, 7' Arsenal and Squat Stand.

#### COMPATIBILITY

TR-1	✓
TR-2	✓
X-Create	
X-Rack	✓
X-Siege	✓

## 2024 TR SERIES COMPONENTS

### TR1 HALF RACK BASE



**Product Code:** TR1-BHR

#### DESCRIPTION

- 3" x 3" 11 gauge tubing provides a solid structure
- Welded gussets provide a stable and secure base
- Includes welded band pegs
- Optional floor anchoring points provide increased stability

#### COMPATIBILITY

TR-1	✓
TR-2	
X-Create	
X-Rack	
X-Siege	

### TR1 7 FT (2.1 M) UPRIGHT, PAIR



**Product Code:** TR1-U7-2

#### DESCRIPTION

- 3" x 3" 11 gauge tubing provides a solid structure
- Designed to fit under a 7 foot ceiling
- Uprights include laser cut numbers

#### COMPATIBILITY

TR-1	✓
TR-2	
X-Create	
X-Rack	
X-Siege	

## 2024 TR SERIES COMPONENTS

### TR1 VERTICAL ACCESSORY STORAGE



Product Code: TR1-VAS

#### DESCRIPTION

- 2"x2" 11 gauge tubing with supporting gussets
- Includes barbell and change plate storage

#### COMPATIBILITY

TR-1	✓
TR-2	
X-Create	
X-Rack	
X-Siege	

### TR1 VERTICAL WEIGHT STORAGE



Product Code: TR1-VWS

#### DESCRIPTION

- 2"x2" 11 gauge tubing with welded support gussets
- Includes barbell, change plate storage, and nylon covered bumper plate weight horns

#### COMPATIBILITY

TR-1	✓
TR-2	
X-Create	
X-Rack	
X-Siege	

## 2024 TR SERIES COMPONENTS

### TR2 POWER RACK - BASE & BAR CATCHES



**Product Code:** TR2-BBCPR

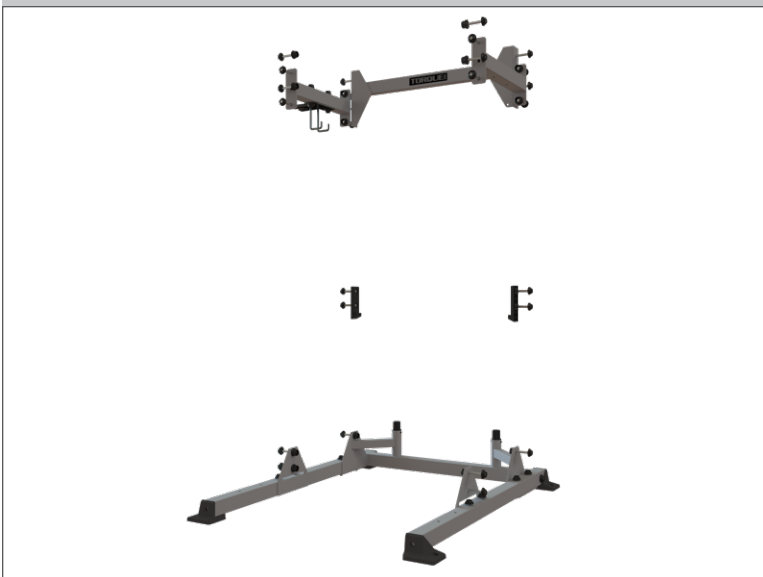
#### DESCRIPTION

- 3" x 3" 11 gauge base tubes with bolt-on cast iron end caps for increased stability
- 3"x2" 11 gauge Bar Catches with plastic guards to protect Olympic Barbells
- Includes optional floor anchoring points

#### COMPATIBILITY

TR-1	
TR-2	✓
X-Create	
X-Rack	
X-Siege	

### TR2 HALF RACK - BASE & CROSSES



**Product Code:** TR2-BCHR

#### DESCRIPTION

- 3" x 3" 11 gauge base construction includes cast iron feet and bolt on caps for increased base stability.
- Includes storage for Olympic bars and chains, as well as Bar Catch Storage Attachment.
- Collar caps can be removed for additional barbell storage

#### COMPATIBILITY

TR-1	
TR-2	✓
X-Create	
X-Rack	
X-Siege	

## 2024 TR SERIES COMPONENTS

### TR2 SIGN BACKING BRACKET



Product Code: TR2-SBB

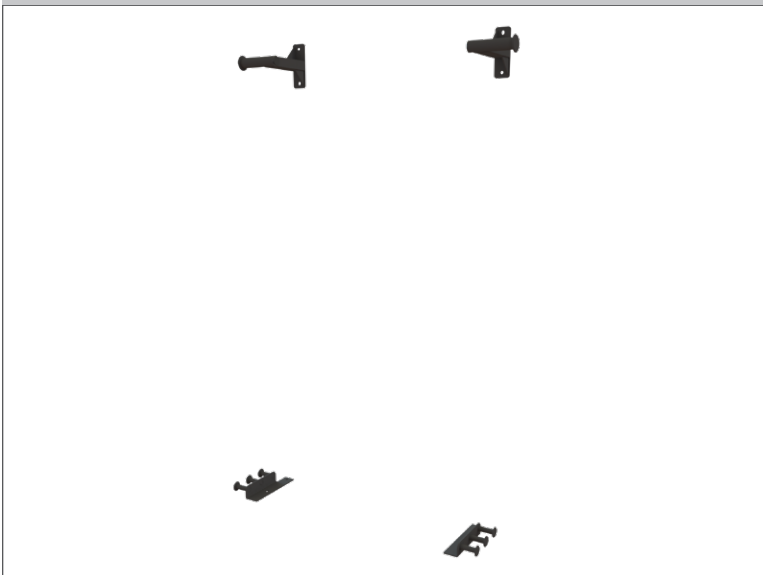
#### DESCRIPTION

- Heavy duty 14 gauge sheet steel
- Bolt on sign bracket that allows for custom labels

#### COMPATIBILITY

TR-1	
TR-2	✓
X-Create	
X-Rack	
X-Siege	

### TR2 UPPER & LOWER BAND PEG ATTACHMENT



Product Code: TR2-ULBPA

#### DESCRIPTION

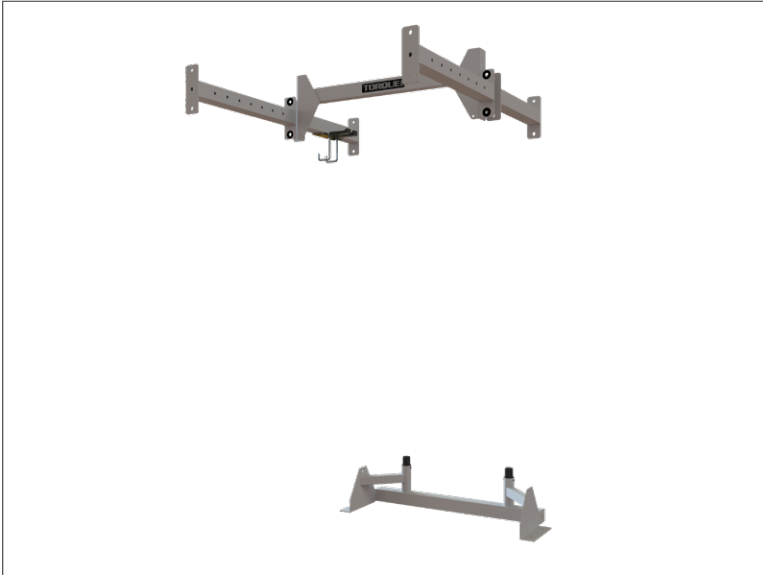
- Attaches to TR-2 base and uprights
- Enables barbell training with resistance bands

#### COMPATIBILITY

TR-1	
TR-2	✓
X-Create	
X-Rack	
X-Siege	

## 2024 TR SERIES COMPONENTS

### TR2 POWER RACK - UPPER & LOWER CROSSES



**Product Code:** TR2-ULCPR

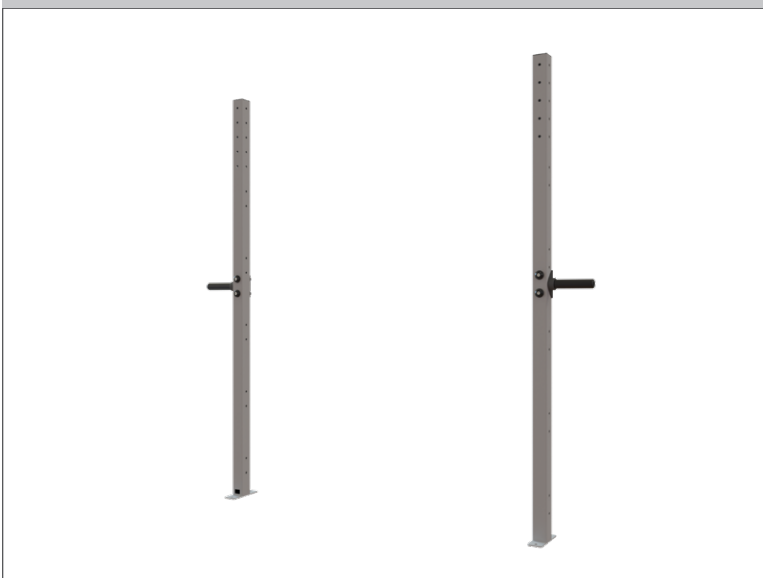
#### DESCRIPTION

- 3" x 3" 11 gauge base construction includes cast iron feet and bolt on caps for increased base stability.
- Includes storage for Olympic barbells and chains, as well as Bar Catch Storage Attachment.
- Collar caps can be removed for additional barbell storage

#### COMPATIBILITY

TR-1	
TR-2	✓
X-Create	
X-Rack	
X-Siege	

### TR2 VERTICAL ACCESSORY STORAGE



**Product Code:** TR2-VAS

#### DESCRIPTION

- 3" x 3" 11 gauge uprights
- Includes 2 solid steel change plate weight horns with nylon covers and rubber bumpers to protect weight plates
- Allows for multiple 6' attachments to be assembled between Half Rack or Power Rack in Double-Rack configurations

#### COMPATIBILITY

TR-1	
TR-2	✓
X-Create	
X-Rack	
X-Siege	



## 2024 TR SERIES COMPONENTS

### TR2 VERTICAL WEIGHT STORAGE



**Product Code:** TR2-VWS

#### DESCRIPTION

- Four solid steel weight pegs with nylon covers and rubber bumpers protect weight plates.
- Each 11.25 in (286 mm) long peg holds up to 4 Torque 45 lb bumper plates or 6 Torque 45 lb grip plates.
- Includes bolt on inner weight horn for change plates.

#### COMPATIBILITY

TR-1	
TR-2	✓
X-Create	
X-Rack	
X-Siege	

### TR 8 FT (2.4 M) UPRIGHTS, PAIR



**Product Code:** TR-U8-2

#### DESCRIPTION

- 3 x 3 11 gauge steel construction.
- Optional on X-Rack, X-Siege, Arsenal and Armament.
- Laser cut numbered slots.
- Standard color options.

#### COMPATIBILITY

TR-1	✓
TR-2	✓
X-Create	
X-Rack	✓
X-Siege	✓

## 2024 TR SERIES COMPONENTS

### WEIGHT STORAGE NUMBERING KIT, 5-55



**Product Code:** WSNK5-5

#### DESCRIPTION

- Molded caps snap over weight peg bolts to provide location indicators for bumper plates.
- Includes CHG PLT, 5, 10, 15, 20, 25, 35, 45, 55 lb indicators.
- Compatible with all X-Series products with weight pegs.

#### COMPATIBILITY

TR-1	✓
TR-2	✓
X-Create	✓
X-Rack	✓
X-Siege	✓

### SQUAT HANDLE ATTACHMENT



**Product Code:** XSHA

#### DESCRIPTION

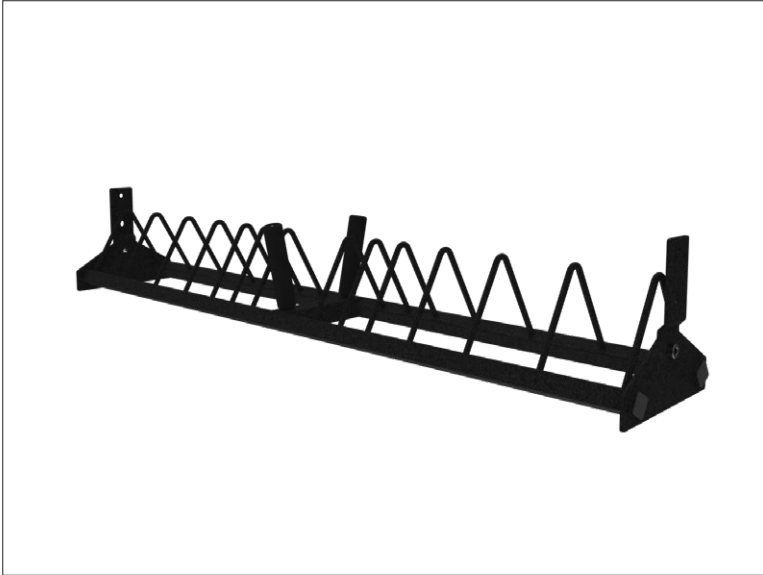
- Features 6" handles with rubber grips
- Has a large, 2" diameter for comfort and stability when safety squatting.

#### COMPATIBILITY

TR-1	✓
TR-2	✓
X-Create	✓
X-Rack	✓
X-Siege	✓

## 2024 TR SERIES COMPONENTS

### 6 FT (1.8 M) BUMPER BOOKSHELF STORAGE



**Product Code:** XCREATE-6BBS

#### DESCRIPTION

- Maximizes bumper plate storage.
- Holds smaller weights on vertical posts and 10 lb - 55 lb bumpers in vertical dividers.

#### COMPATIBILITY

TR-1	✓
TR-2	✓
X-Create	✓
X-Rack	✓
X-Siege	

### 6 FT (1.8 M) BALL STORAGE



**Product Code:** XCREATE-6BS

#### DESCRIPTION

- Next generation ball storage requires no adjustment.
- Compatible with Torque's smallest medicine and slam balls up to our larger diameter stability balls.

#### COMPATIBILITY

TR-1	✓
TR-2	✓
X-Create	✓
X-Rack	✓
X-Siege	

## 2024 TR SERIES COMPONENTS

### 6 FT (1.8 M) TRAY



**Product Code:** XCREATE-6TRAY

#### DESCRIPTION

- Over built to handle your heaviest accessories.
- Can be mounted at an angle for ergonomic placement and retrieval of dumbbells.
- Compatible with XCREATE-6MAT

#### COMPATIBILITY

TR-1	✓
TR-2	✓
X-Create	✓
X-Rack	✓
X-Siege	

### 6 FT (1.8 M) MAT



**Product Code:** XCREATE-6MAT

#### DESCRIPTION

- Over built to handle your heaviest accessories.
- For use with XCREATE-6TRAY

#### COMPATIBILITY

TR-1	✓
TR-2	✓
X-Create	✓
X-Rack	✓
X-Siege	

## 2024 TR SERIES COMPONENTS

### MAGNETIC SUSPENSION CLIP



**Product Code:** XCREATE-HMSC

#### DESCRIPTION

- Magnetically attaches to any 3" tube.
- Used to capture and retain suspension straps when not in use.

#### COMPATIBILITY

TR-1	✓
TR-2	✓
X-Create	✓
X-Rack	✓
X-Siege	✓

### DIP STEP ANCHOR



**Product Code:** XDSA

#### DESCRIPTION

- Interlocks with all uprights for adjustable height dip movements.
- Also can be used as a step-up to reach pull-up or monkey bars.
- Gussets have openings to be used with resistance band for adjustable height anchors.

#### COMPATIBILITY

TR-1	✓
TR-2	✓
X-Create	✓
X-Rack	✓
X-Siege	✓

## 2024 TR SERIES COMPONENTS

### RELENTLESS ROPE TRAINER



**Product Code: XERT**

#### DESCRIPTION

- Relentless Rope features a variable resistance magnet brake with four difficulty settings.
- Included brackets allow for mounting to almost all Torque systems.

#### COMPATIBILITY

TR-1	✓
TR-2	✓
X-Create	✓
X-Rack	✓
X-Siege	✓

### HORIZONTAL MOUNT GROUND ROTATIONAL TRAINER



**Product Code: XHMGRT**

#### DESCRIPTION

- Mounts to the base of X-Create Uprights, TR1 and TR2 Racks, and to the Lower Band Peg Attachment on X-Rack and X-Siege Systems.
- Provides rotational movements off the front of the stations saving floor space.
- Molded rubber bumper provides stationary storage location for pivot.
- \*Not compatible with TR2 Power Rack

#### COMPATIBILITY

TR-1	✓
TR-2	✓*
X-Create	✓
X-Rack	✓
X-Siege	✓

## 2024 TR SERIES COMPONENTS

### 4 FT (1.2 M) MULTI-GRIP RECTANGLE CROSS



**Product Code:** XRACK-4MGRX

#### DESCRIPTION

- Includes 1¼" solid steel multi-grips for pull-up and chin-up variety
- Welded gussets add increased stability for overall rig or rack system

#### COMPATIBILITY

TR-1	✓
TR-2	✓
X-Create	
X-Rack	✓
X-Siege	✓

### 4 FT (1.2 M) MULTI-GRIP CROSS



**Product Code:** XRACK-4MGX

#### DESCRIPTION

- Includes solid 1.25" diameter ergonomic handles and a 2" diameter "fat grip" straight bar for four different pull-up variations.
- Compatible with all Torque Rack systems as well as X-RACK and X-SIEGE systems.

#### COMPATIBILITY

TR-1	✓
TR-2	✓
X-Create	
X-Rack	✓
X-Siege	✓

## 2024 TR SERIES COMPONENTS

### 4 FT (1.2 M) NINJA CROSS



**Product code:** XRACK-4NX

#### DESCRIPTION

- 4' cross attaches to any 4 foot X-Rack or X-Seige Space, including Monkey Bar Racks as well as Arsenal and Armament Systems.
- Incorporates multiple grip variations, including angled straight bar, fat bar, 3" sphere, 4" sphere and rock grip.

#### COMPATIBILITY

TR-1	✓
TR-2	✓
X-Create	
X-Rack	✓
X-Siege	✓

### 4 FT (1.2 M) RECTANGULAR CROSS



**Product Code:** XRACK-4RX

#### DESCRIPTION

- Constructed with 3" x 3" 11 gauge with gussets, the rectangular cross provides a more rigid frame connection.
- Required for 4 foot depth racks with weight or accessory storage uprights.
- Can be substituted for 4MBX Monkey Bar Cross.

#### COMPATIBILITY

TR-1	✓
TR-2	✓
X-Create	
X-Rack	✓
X-Siege	✓



## 2024 TR SERIES COMPONENTS

### 4 FT (1.2 M) SINGLE CROSS



**Product code:** XRACK-4SX

#### DESCRIPTION

- 1.25 inch diameter pull-up bar featuring “thru-plate” construction with gussets.
- Preferred cross member for performing muscle-ups.
- Compatible with all X-RACKS, X-SIEGE, and TR Racks

#### COMPATIBILITY

TR-1	✓
TR-2	✓
X-Create	
X-Rack	✓
X-Siege	✓

### 4 FT (1.2 M) TRIPLE CROSS



**Product code:** XRACK-4TX

#### DESCRIPTION

- Constructed with three 1.25” diameter pull-up bars with “thru-plate” construction.
- Allows for two different pull-up heights at the same station.

#### COMPATIBILITY

TR-1	✓
TR-2	✓
X-Create	
X-Rack	✓
X-Siege	✓

## 2024 TR SERIES COMPONENTS

### 4 FT (1.2 M) TRIPLE CROSS



**Product Code:** XRACK-4TX

#### DESCRIPTION

- Constructed with three 1.25" diameter pull-up bars with "thru-plate" construction.
- Allows for two different pull-up heights at the same station.

#### COMPATIBILITY

TR-1	✓
TR-2	✓
X-Create	
X-Rack	✓
X-Siege	✓

### 6 FT (1.8 M) DOUBLE CROSS



**Product code:** XRACK-6DX

#### DESCRIPTION

- Includes 1.25" and 2" pull-up bars.
- Can be mounted in either direction for "fat bar" or "skinny bar" down.
- Can be mounted horizontally for stability ball storage. (Requires XUHK1)

#### COMPATIBILITY

TR-1	
TR-2	✓
X-Create	
X-Rack	✓
X-Siege	✓

## 2024 TR SERIES COMPONENTS

### 6 FT (1.8 M) MONKEY BAR CROSS



**Product Code:** XRACK-6MBX

#### DESCRIPTION

- Includes 3" x 3" 11 gauge upper tube for attaching Monkey Bars and a 1.25" diameter tube for pull-ups.

#### COMPATIBILITY

TR-1	
TR-2	✓
X-Create	
X-Rack	✓
X-Siege	✓

### 6 FT (1.8 M) RECTANGULAR CROSS



**Product Code:** XRACK-6RX

#### DESCRIPTION

- Constructed with 3 x 3 inch 11 gauge with gussets, the rectangular cross provides a more rigid frame connection.

#### COMPATIBILITY

TR-1	
TR-2	✓
X-Create	
X-Rack	✓
X-Siege	✓

## 2024 TR SERIES COMPONENTS

### 6 FT (1.8 M) SINGLE CROSS



**Product Code:** XRACK-6SX

#### DESCRIPTION

- 1.25 inch diameter pull-up bar featuring “thru-plate” construction with gussets.
- Preferred cross member for performing muscle-ups.

#### COMPATIBILITY

TR-1	
TR-2	✓
X-Create	
X-Rack	✓
X-Siege	✓

### 6 FT (1.8 M) TRIPLE CROSS



**Product Code:** XRACK-6TX

#### DESCRIPTION

- Constructed with three 1.25” diameter pull-up bars with “thru-plate” constructions.
- Allows for two different pull-up heights at the same station.

#### COMPATIBILITY

TR-1	
TR-2	✓
X-Create	
X-Rack	✓
X-Siege	✓

## 2024 TR SERIES COMPONENTS

### BATTLE ROPE ANCHOR



**Product Code:** XRACK-BRA

#### DESCRIPTION

- Glass-reinforced molded nylon anchor includes rounded edges to prevent wear on ropes.
- Molded in steel inserts in mounting holes.
- Mounts to base of uprights on most X-Series Systems.

#### COMPATIBILITY

TR-1	✓
TR-2	✓
X-Create	✓
X-Rack	✓
X-Siege	✓

### ROCK CLIMBING KIT (2 PCS)



**Product Code:** XRACK-RCK

#### DESCRIPTION

- Sold as a left and right pair.
- Mounts to monkey bar crosses on X-Create Bridge Systems to provide rock grip locations.
- Textured molded surface provides sure grip.

#### COMPATIBILITY

TR-1	✓
TR-2	✓
X-Create	✓
X-Rack	✓
X-Siege	✓

## 2024 TR SERIES COMPONENTS

### UPPER BAND PEG ATTACHMENT



**Product Code:** XRACK-UBPA

#### DESCRIPTION

- Mounts to any of our rack uprights except XHC which has them built in. (Cannot be used on uprights that include ball targets)
- Enables Olympic bar training with resistance bands.

#### COMPATIBILITY

TR-1	✓
TR-2	✓
X-Create	
X-Rack	✓
X-Siege	✓

### RELENTLESS RIPPER



**Product Code:** XRR-SKI

#### DESCRIPTION

- Features 10 levels of progressive magnetic resistance
- Included brackets allow for mounting to almost all Torque systems.
- Console tracks time, strokes per minute, watts, calories, distance, and more.

#### COMPATIBILITY

TR-1	✓
TR-2	✓
X-Create	✓
X-Rack	✓
X-Siege	✓