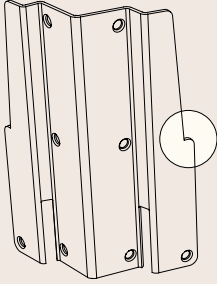


# Assembly Guide

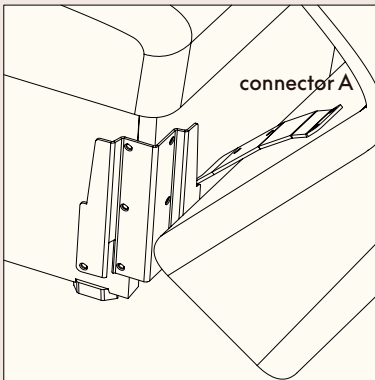
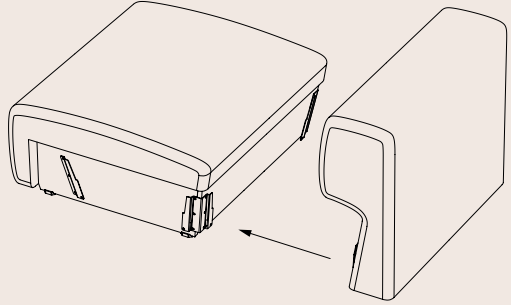
CUBI BY MARCEL WANDERS

## STEP 1: ATTACH BACKREST TO THE SEAT

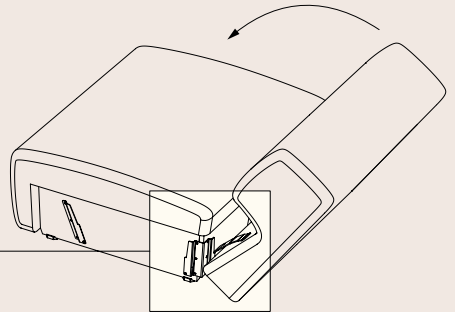
Attach the backrest to the seating module by sliding connector A into bracket B on the back of the seat. Aim at the small step on the middle of bracket B when you connect the parts!  
(You can disconnect the modules by lifting up the backrest.)



bracket B

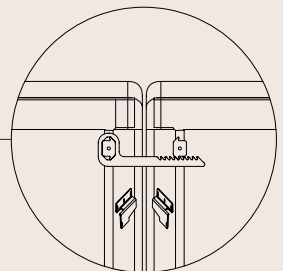
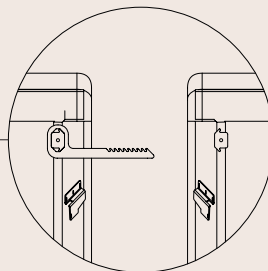
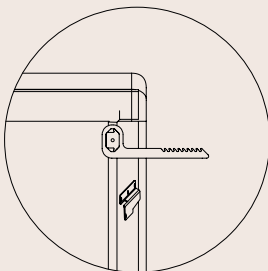


connector A

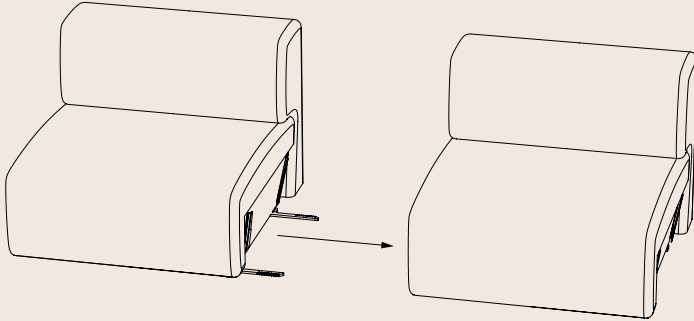


## STEP 2: CONNECT THE MODULES

Crocodile connectors are the clips that hold modules firmly together. You can attach them to the legs of the seat. First, fold them out ensuring they are pointing out from the sofa.

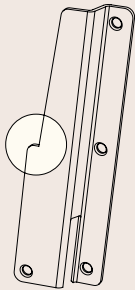


Align the modular pieces and slide the alligator clips into place.

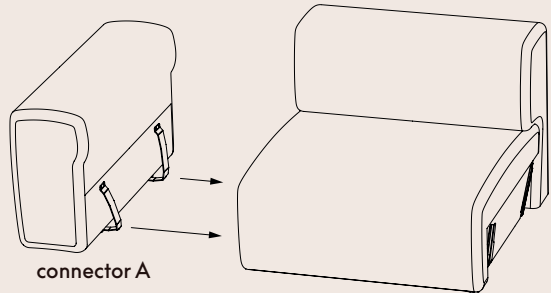


### STEP 3: ATTACH THE ARMRESTS

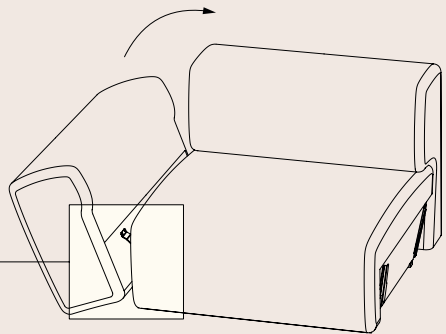
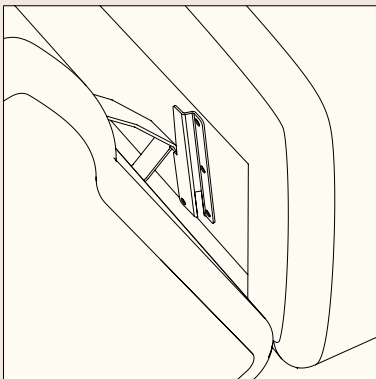
Using the same logic as in STEP 1, attach the armrests by sliding connectors A into bracket B.



bracket B



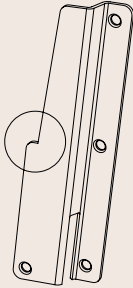
connector A



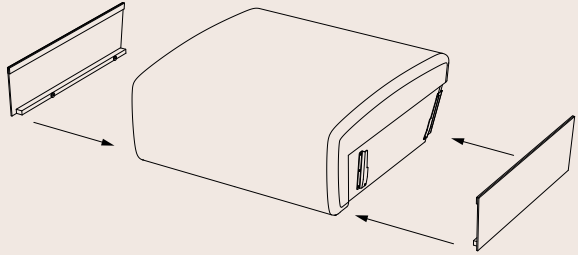
Need help? Send an e-mail to [info@basta.co](mailto:info@basta.co)

## IN CASE YOU HAVE A FULLY COVERED MODULE

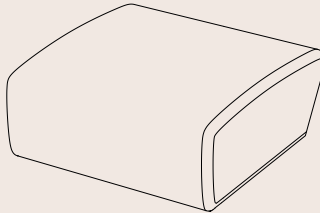
**STEP 1:** Connect the cover panels by sliding them into bracket B on the side of the seat.  
Aim at the small step on the middle of bracket B when you connect the parts!



bracket B



**STEP 2:** Attach the cover to the seat along the velcro line.



**BASTA**