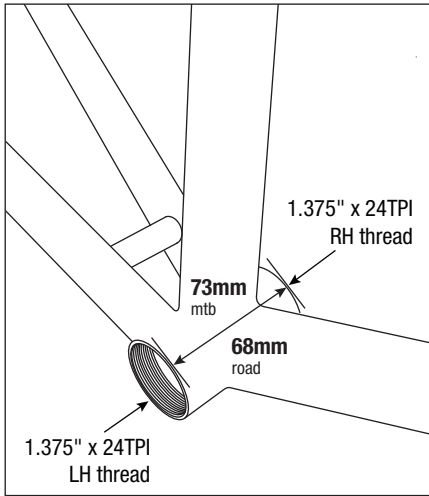


Installation Guide | Maxhit BSA Bottom Bracket Bearings

Maxhit

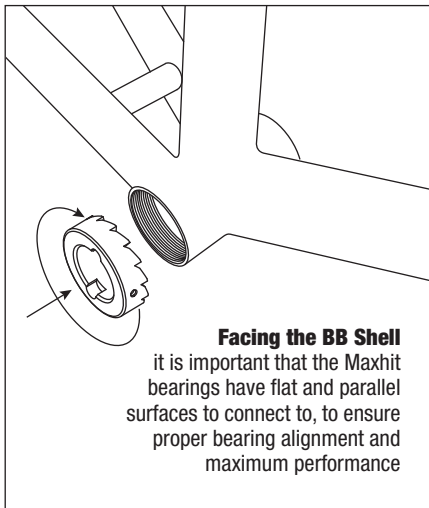
1 Confirm Specifications

BSA bottom bracket standards



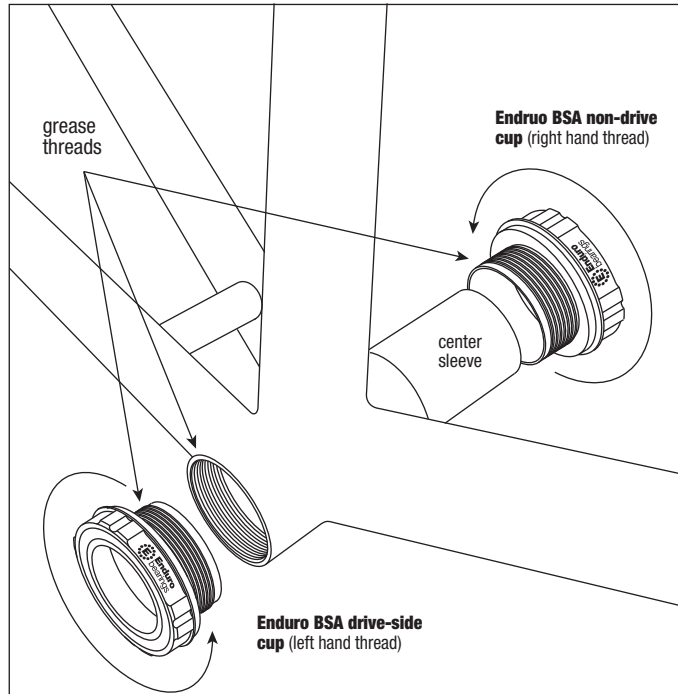
2 Prep BB Shell

with facing tools, if necessary



3 Grease Threads and Install Bearings

with appropriate tools

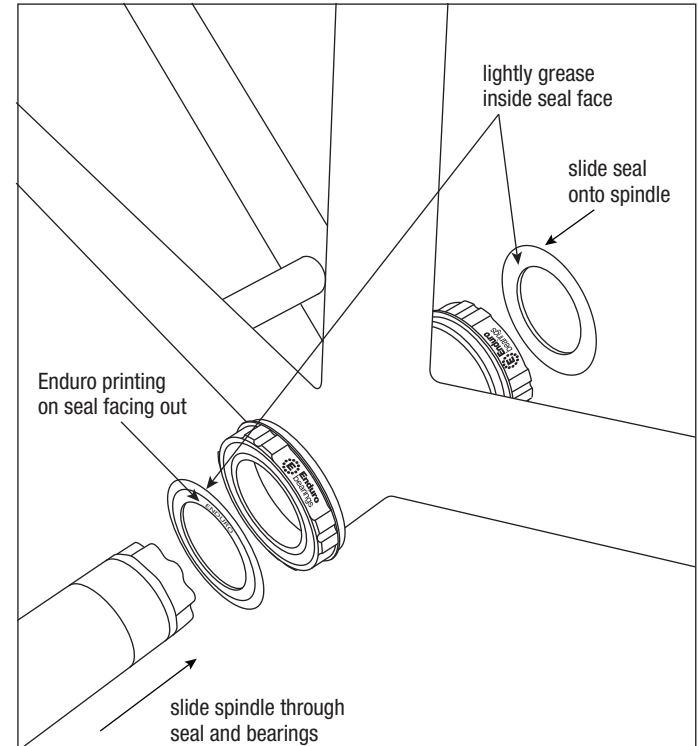


1. Apply a light coating of grease onto the threaded surfaces of the Maxhit Bearings and BB shell
2. Thread in the Maxhit bearings as far as possible by hand. Please note: the drive side is a left-hand thread and non-drive is right-hand thread. Insert the center sleeve between the cups if necessary.

note: If you are installing a MTB crankset on a 68mm shell add a 2.5mm spacer on each side, either between the cup and the BB shell or on the BB spindle between the crankarm and the bearing seals.
3. Torque Maxhit bearing with splined BB tool to 35-50Nm. Spine tool specification is Shimano FC-25 for BSA 24, or Enduro tool BBT-020. BSA 29 & 30 requires a BSA 30 (46mm x 12) spline tool like Enduro tool BBT-029. Enduro also makes BBT-036, to fit both sizes.

4 Install Seals and Crankset

and set bearing pre-load



4. Apply a thin film of grease onto the flat face of both seals and the BB spindle. Slide the first seal onto the BB spindle, flat face facing the bearing
5. Slide the BB spindle through the bearings, contacting the inner bearing seals. Slide the other seal onto the spindle, flat face facing the bearing
6. Install crankarms as recommended by the crankset manufacturer
7. Check the chainline and adjust with spacers (included) if necessary
8. Use crankset preload device or light wave washer to remove any side to side movement in the system and to add a light axial load onto the bearings.
6. Confirm that crankarms are torqued to manufacturer specs