



USER MANUAL SP--SERIES

Email: Support@tigerkingsafe.com

Facebook: [@TIGERKINGSAFES](https://www.facebook.com/TIGERKINGSAFES)

Messenger: [m.me/TIGERKINGSAFES](https://www.m.me/TIGERKINGSAFES)

go to our web
www.tigerkingsafe-us.com
click **chat with us** to have live
chat

Version: V202303



01 STRUCTURE

02 FIRST OPENING OPEN WITH CODE

03 CODE SETTING

04 CLOSE THE SAFE WRONG ENTRY PENALTY SILENCE MODE

05 MOUNTING

06 CUSTOMER SERVICE

⚠ WARNING

Tigerking safe recommends that you do not store loaded guns in this unit.

If you experience any problems or challenges with your safe, please feel free to contact us for quick response. Many issues can be resolved promptly without the product needing to be returned.

Our customer support team is always available to answer any questions and help to resolve all concerns you may have.

Email: Support@tigerkingsafe.com
Facebook: @TIGERKINGSAFES
Messenger: m.me/TIGERKINGSAFES

go to our web
www.tigerkingsafe-us.com
click [chat with us](#) to have live chat



Warning: Please do not keep the emergency key inside the safe.

FIRST OPENING



STEP 1: Located the emergency keyhole behind the cover (Push the cover on the left to remove the cover);

STEP 2 : Fully insert the emergency key and turn counterclockwise,then hold it;

STEP 3 : Turn the knob clockwise while holding the key to open the door.



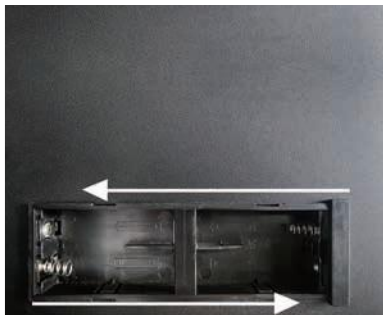
STEP 2 : Turn the knob clockwise within the “right” indicator lights on to open the door.

Notice:

- 1.The system will revert to standby status if there is no key press within 20 seconds.
- 2.Keep the emergency key in the safe place,but not in the safe;
- 3.The default code is 1-5-9.
- 4.Manufacturer recommends the use of 6-Volt standard alkaline battery replaced every three months, even if you use it infrequently.
- 4.When the green indicator lights on, and the red indicator lights on at the same time, which indicates that the battery is low and needs immediate replacement.



OPEN WITH CODE



(After first opening , please prepare 4 X AA batteries (not include) and install into the battery box in the back of the safe door by matching the + & - ends.)

STEP 1 : Enter your set code (if you haven't set up the code,please enter the default code 1-5-9),press # or * to confirm. If the code is correct, the “right” indicator will blink with two beeps;

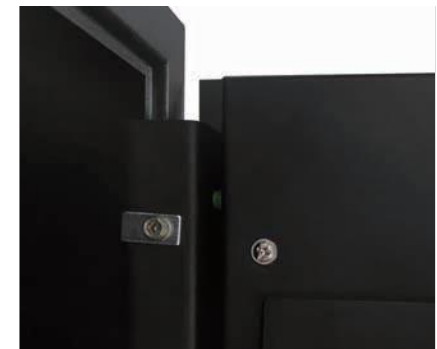
- ALWAYS PERFORM OPERATION WITH SAFE LOCK SYSTEM UNLOCK AND THE SAFE DOOR OPEN
- BEFORE CLOSING THE DOOR,MAKE SURE ALL THE PROGRA CHANGES ARE CORRECT.

STEP 1: In the open state, locate the reset button in the hinge side of the safe door;

STEP 2: Press it shortly and quickly,the yellow light will turn on with two beeps;

STEP 3: Enter a new code with 3-8 digits and press # or *,it will confirm by two beeps,and yellow light will turn off ;

STEP 4: The new code has been set completely.Verify the new code at least 3 times before closing the door to make sure the code has been programmed correctly.





Notice:

- 1.The system will revert to standby status if there is no key press within 20 seconds.
- 2.The default code is 1-5-9, please change the code immediately right after receiving the safe in order to keep security;

CLOSE THE SAFE



Close the door and rotate the knob counterclockwise, and then pull out the key(if using the emergency key.)

WRONG ENTRY PENALTY

- 1.Entry of three (3) consecutive invalid codes results in a 20 seconds penalty time period and the buzzer will go off.
- 2.Entry of three (3) consecutive invalid codes after first entry of three (3) consecutive invalid codes results in a 5 minutes penalty time and the buzzer will go off for the second time.
- 3.While the system is in the penalty time,the entrypad buttons remain unresponsive. Pressing buttons during penalty will not restart or lengthen the penalty time period.It will continue to count through the 20 seconds penalty time period.
- 4.While the system is in penalty time,removal of the battery will interrupt the penalty time countdown

SILENCE MODE SETTING

Press 3 and then press # as confirming to toggle the keypad tones ON/OFF.

MOUNTING

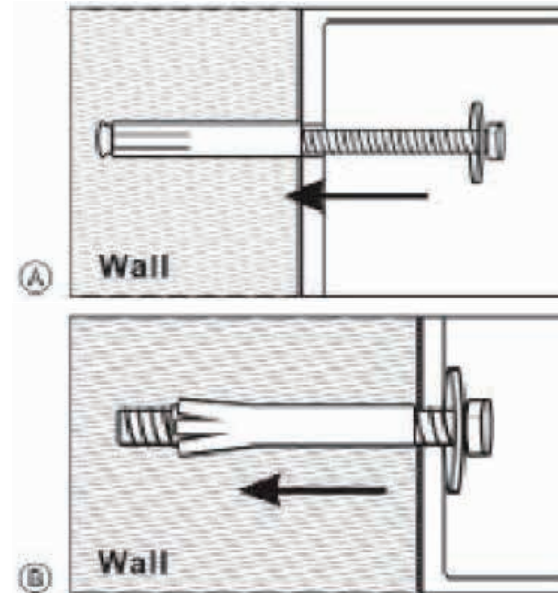
Use proper drilling tools and mounting hardware based on the type of surface you are mounting the safe onto.

TIP: Make sure you have enough clearance for the lid to open properly before mounting the safe.

- Open the safe with the code or emergency keys.
- Turn the expansion bolts counterclockwise to separate;
- Use the wall mounting holes on the side or bottom of the safe to mark the desired mounting location.
- Use appropriate mounting hardware to screw the case to the wall or the floor.
- Close the safe.
- The safe can be used now.

Notice:

- 1.For concrete walls, expansion bolts are recommended; for wooden walls, clamping screws are recommended;
- 2.The clamping screw is not included, you need prepare by yourself.



Where could I find the instruction video? To see the tutorial video:

1. Go to our Facebook: **@TIGERKINGSAFES**
2. Go to our Youtube channel:
<https://www.youtube.com/@tigerkingsafe>
3. contact us to get the videos (24/7):
Messenger: **m.me/TIGERKINGSAFES**
Email : **Support@tigerkingsafe.com**

go to our web
www.tigerkingsafe-us.com
click **chat with us** to have live chat

What should I do to get replacement keys?

The information below is important to get replaced keys:

If with emergency key---The numbers on the key.

If without emergency key---The numbers on the keyhole of the safe.

Contact our support service to get the help

Email:**Support@tigerkingsafe.com**

Customer Support /Warranty

The possible problem you might meet:

1. Cargo damaged
2. Missing accessories
3. Unsatisfied with the safe
4. Or any other setting problem

We encourage you to contact us (24/7):

Messenger: **m.me/TIGERKINGSAFES**

Email : **Support@tigerkingsafe.com**

Warranty Information

Your safe lock is eligible for a 12 months warranty covering product defects, please visit our website to register your product.

Please visit **www.tigerkingsafe-rg.com** and look for the button entitled "Activate your Warranty".

Register your safe : **www.tigerkingsafe-rg.com**

Thank you for your time to read



TIGER KING
Professional, Efficient, Competitive



20SP



30SP



50SP

PLEASE EMAIL US TO GET A SPECIAL VIP DISCOUNT CODE BEFORE YOUR NEXT ORDER.