

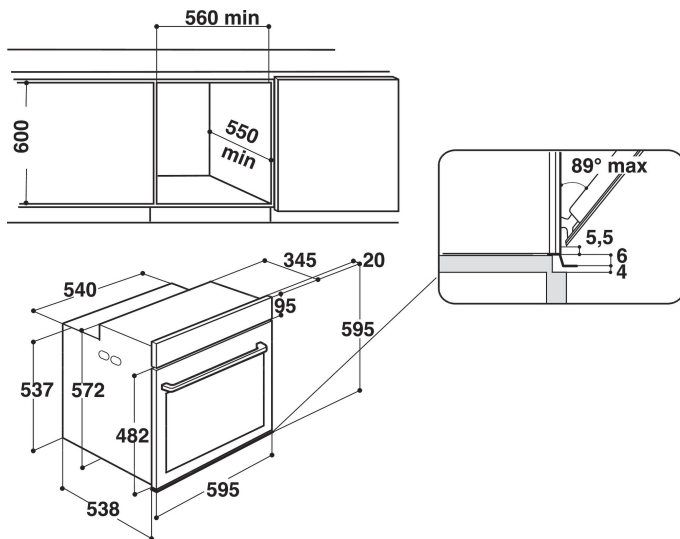
W7 OM4 4S1 P

12NC: 859991538900

GTIN (EAN) code: 8003437834363

Whirlpool

SENSING THE DIFFERENCE



- 6TH Sense technology
- Up to 40 6th SENSE Cooking Combinations
- Pyrolytic cleaning system
- Energy class A+
- Cavity 73 L
- Cook4
- Ready2Cook
- Defrost function
- Forced Air Fan Cooking
- Grill
- Easy Clean Enamel Interior
- Turbo grill function
- Maxi cooking
- Pastry function
- Pizza/Bread function
- Eco Forced Air
- Warm Keeping

Whirlpool built in electric oven: inox color, self cleaning - W7 OM4 4S1 P

This Whirlpool built in Oven features: self cleaning technology, that uses a high-temperature cycle to burn food residues into ashes, which can then be easily wiped away with a sponge. Advanced electric technology allowing you to cook dishes saving energy. Halogen lamp allowing a more energy-efficient performance. Exclusive 6th SENSE technology, that allows you to pick among a variety of pre-programmed recipes, and your oven will automatically adjust cooking, temperature and time settings, to ensure perfect results. Innovative Cook4 function, that allows you to cook up to four separate dishes at the same time, without the risk of aromas mixing.



6th Sense W6 W7

No more guesswork. Simply pick your recipes, and let 6th SENSE cook them to perfection, every time. Up to 40 cooking combinations organized to fit your lifestyle and diet, for a full assisted cooking experience.



Ready2cook

No pre-heating required. The Ready2Cook function uses a powerful convection system to quickly reach the right temperature, and completely eliminate the need for pre-heating.



Cook4

The Cook4 function provides a unique level of flexibility that enables consumers to cook up to four dishes at the same time without mixing any of the flavours or aromas.



Soft closing

Slow-motion closing. Thanks to slow-closing hinges, the oven door shuts effortlessly, with a soft and silent motion.



Electronic control

Electronic temperature control.



Sliding shelves

Smooth motion. This Whirlpool oven features soft-sliding shelves, for increased ease of use.



Pyrolytic technology

Spotless cleaning at the touch of a button. Pyrolytic technology uses a high-temperature cycle to burn food residues into ashes, which can then be easily wiped away with a sponge. Heat-reflecting glass panels in the oven door ensure that the external temperature stays low, for added safety.

W7 OM4 4S1 P

12NC: 859991538900

GTIN (EAN) code: 8003437834363

Whirlpool

SENSING THE DIFFERENCE

MAIN FEATURES

Product group	Oven
Commercial code	W7 OM4 4S1 P
Main colour of product	Inox
Construction type	Built-in
Type of control	Electronic
Type of control settings	-
Are any hobs controls integrated?	No
Which kind of hobs can be controlled?	-
Automatic programmes	Yes
Current (A)	16
Voltage (V)	220-240
Frequency (Hz)	50/60
Length of Electrical Supply Cord (cm)	90
Plug type	No
Depth with open door 90 degree (mm)	-
Height of the product	595
Width of the product	595
Depth of the product	564
Minimum niche height	0
Minimum niche width	0
Niche depth	0
Net weight (kg)	40.5
Usable volume (of cavity)	73
Integrated Cleaning system	Pyrolytic
Grids of the cavity	2
Trays	2

TECHNICAL FEATURES

Timer	Yes
Time control	Electronic
Time-setting options	Start and Stop
Safety device	-
Interior light	Yes
Number of interior lights of the cavity	1
Position of interior lights of the cavity	Rear
Oven guides of the cavity	Telescopic
Probe of the cavity	No

PERFORMANCES

Energy input	Electric
Type of energy of the cavity	Electricity
Energy efficiency class - NEW (2010/30/EU)	A+
Energy consumption per cycle conventional - NEW (2010/30/EU)	0.91
Energy consumption per cycle forced air convection - NEW (2010/30/EU)	0.7

ENERG Y UA
енергия · ενεργεια IE 1A

WHIRLPOOL W7 OM4 4S1 P

A+

73 L

0.91 kWh/cycle*

0.7 kWh/cycle*

* цистерна · cylindus · partion · zylinder · mpolytymia · ciclo · tsükkel · ohjelma · ciklus · cikls · ciklu · cycles · cykl · ciclu · program · cykel
65/2014