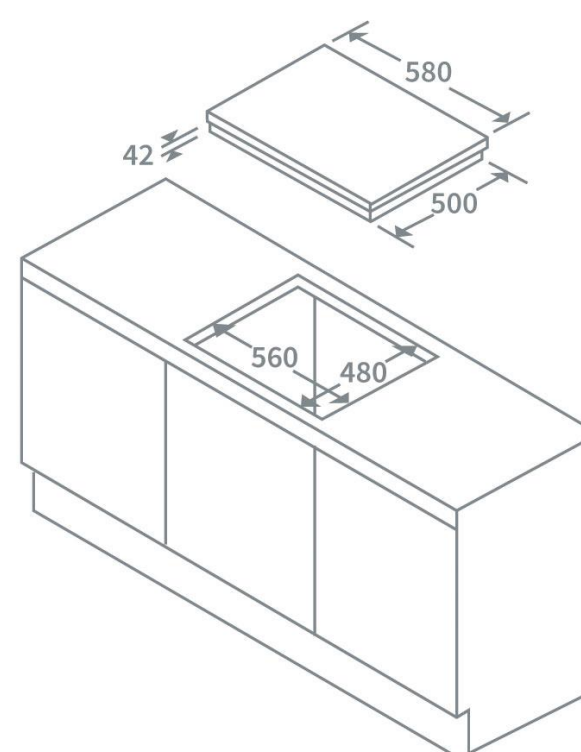


Product Data Sheet



Prima Code	PRGH102
Description	60cm Gas Hob
Colour	Stainless Steel
EAN Code	5034109087612
No. of cooking Zones	4 Zones
Features	Flame failure safety device
Controls	Push & turn auto ignition
Control Panel Style	Side panel
Pan Supports	x 2 enamel supports
Surface material	Stainless Steel
LPG Conversion	LPG Conversion kit included
Front left zone power	2.8kW
Rear left zone power	1.75kW
Rear right zone power	1.75kW
Front right zone power	1kW
Gas Connection rating	7.3kW
Electrical Connection rating	0.001kW
Centre/far left zone power	n/a
Electrical supply cord length (mm)	1200
Product Height (mm)	42
Product Width (mm)	580
Product Depth (mm)	500
Cut Out Width (mm)	560
Cut Out Depth (mm)	480
Required clearance above hob (mm)	760