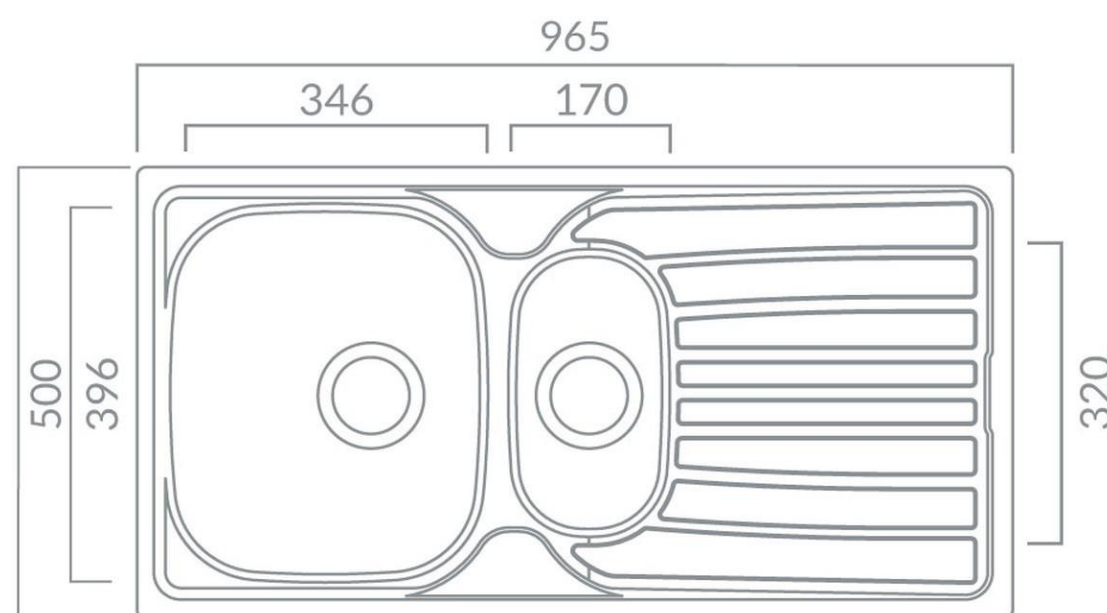


# Product Data Sheet



Prima Code	CPR026
Description	Prima 1.5B Inset Sink
Colour	Grey/Silver
Material	Stainless Steel
Stainless Steel Thickness (mm)	0.6
Finish	Polished
Fitting Style	Inset
Sealant Strip (Incl./Separate)	Included
No. Drainers	1
No. Tap Holes	1
Features	Pre-drilled tap holes
Dimensions (mm)	W 965 x D 500 x H 155
Main Bowl Dimensions (mm)	W 346 x D 396 x H 155
Half Bowl Dimensions (mm)	W 170 x D 320 x H 80
Cut out depth (mm)	482
Cut out width (mm)	947
Minimum cabinet width (mm)	600
Main Bowl Radius (mm)	10
Half Bowl Radius (mm)	10
Drainer (RH/LH)	Both
Reversible	Yes
Accessories (included)	Waste, overflow & fitting clips
Accessories (optional)	CPR108 Plumbing kit
Waste disposer compatible	Yes
Boxed/Sleeved packaging	Sleeved
Guarantee	Lifetime