

N 70, Modular Teppan Yaki  
N74TDO0N0



COOKING PASSION SINCE 1877



#### Features

##### Technical Data

Product name/family : Vario/Domino Teppan Yaki  
Construction type : Built-in  
Energy input : Electric  
Type of control : Electronic  
Grill grating material : N/A  
Required niche size for installation (HxWxD) : 90 x x  
Width of the product (mm) : 396  
Dimensions of the product (mm) : 90 x 396 x 546  
Dimensions of the packed product (HxWxD) (mm) : 230 x 480 x 610  
Net weight (kg) : 10.031  
Gross weight (kg) : 12.0  
Residual heat indicator : Separate  
Basic surface material : N/A  
Color of surface : Stainless steel, Stainless steel  
Color of frame : Stainless steel  
Approval certificates : CE, VDE  
Length of electrical supply cord (cm) : 100  
EAN code : 4242004188117  
Electrical connection rating (W) : 1900  
Current (A) : 13  
Voltage (V) : 220-240  
Frequency (Hz) : 60; 50



#### Optional accessories

Z9914X0 Connecting strip

# N 70, Modular Teppan Yaki

## N74TD00N0

### Features

#### Control

- TouchControl

#### Flexibility

- Stainless steel cooking surface
- 2 cooking zones

#### Special features

- Main switch
- Power on indicator light
- Temperature range 140 - 240 °C
- heating-up control
- Special level for keeping warm (70°C)
- Special level for cleaning (40°C)
- LED display for each zone
- 2 stage residual heat indicators
- Count up timer
- LED timer for each zone with switch off function and acoustic signal
- Control panel suspension
- Safety cut out facility
- Control panel lock
- ReStart function
- Individual energy consumption display
- 2 spatulas included

#### Design

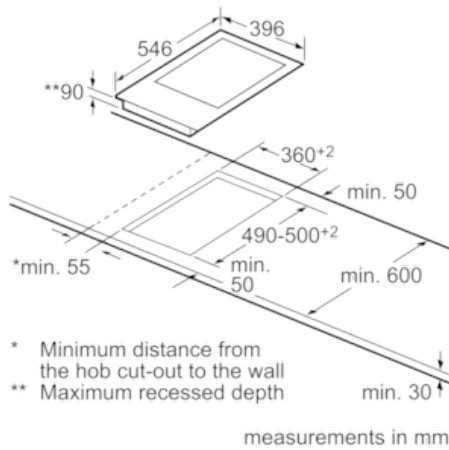
- Ceramic glass on stainless steel trim
- Removable ceramic glass cover

#### Technical information

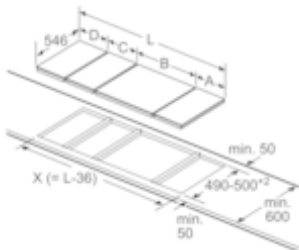
- Installation measurements (mm): 360 x 490-500
- 40 cm
- Length connecting cable 100 cm
- Min. worktop thickness: 30 mm
- Output 1900 W

N 70, Modular Teppan Yaki  
N74TD00N0

Dimensioned drawings



Domino combination options with corresponding appliance and cut-out dimensions (see table)



When installing several elements side by side, general assembly site domino combination options with one also required (L360 (X30)) corresponding appliance and cut-out dimensions

Cut-out dimensions (X) depending on the combination, see table.

Width type: 30 40 60 70 80 90  
Appliance width: 306 396 606 708 826 918

	A	B	C	D	L	X
2x30	306	306	-	-	612	576
1x30, 1x40	306	396	-	-	702	666
1x30, 1x60	306	606	-	-	912	876
1x30, 1x70*	306	708	-	-	1014	978
1x30, 1x80	306	826	-	-	1132	1096
1x30, 1x90	306	918	-	-	1224	1188
2x40	396	396	-	-	792	756
1x40, 1x60	396	606	-	-	1002	966
1x40, 1x70*	396	708	-	-	1104	1068
1x40, 1x80	396	826	-	-	1222	1186
1x40, 1x90	396	918	-	-	1314	1278
3x30	306	306	306	-	918	882
2x30, 1x40	306	306	396	-	1008	972
2x30, 1x60	306	306	606	-	1218	1182
2x30, 1x70*	306	306	708	-	1320	1284
2x30, 1x80	306	306	826	-	1438	1402
2x30, 1x90	306	306	918	-	1530	1494
1x30, 2x40	306	396	396	-	1098	1062
1x30, 1x40, 1x60	306	396	606	-	1308	1272
1x30, 1x40, 1x80	306	396	826	-	1528	1492
1x30, 1x40, 1x90	306	396	918	-	1620	1584
3x40	396	396	396	-	1188	1152
2x40, 1x60	396	396	606	-	1398	1362
1x30, 1x40, 1x70*	306	396	708	-	1410	1374
4x30	306	306	306	306	1224	1188
3x30, 1x40	306	306	306	396	1314	1278
2x30, 2x40	306	306	396	396	1404	1368
1x30, 3x40	306	396	396	396	1494	1458

\* Not possible with 70 cm induction hob.