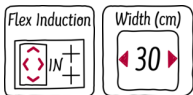
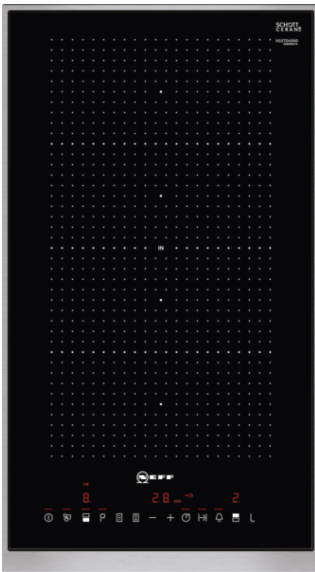


N 70, Flex induction cooktop, 30 cm  
N53TD40N0



COOKING PASSION SINCE 1877



#### FlexInduction hob with TouchControl.

- ✓ Induction - With induction cooking, the heat is generated directly in the cookware for precise cooking that stops when power is off.
- ✓ FlexInduction - The FlexZone lets you place your pots and pans anywhere you want and heats them exactly where they stand.
- ✓ TouchControl is a highly convenient way to control the hob. One touch is enough. A timer is also included.
- ✓ PowerMove - The FlexZone is divided into three heating zones: boiling in front, simmering in the middle and warming in the rear.
- ✓ Stainless-steel flush-fitted trim

#### Features

##### Technical Data

Product name/family : Vario/Domino cooking zone cera  
 Built-in / Free-standing : CONSTR\_TYPE.Built-in  
 Energy input : Electric  
 Total number of positions that can be used at the same time : 2  
 Required niche size for installation (HxWxD) : 51 x 270 x 490-500  
 Width of the product (mm) : 306  
 Dimensions of the product (mm) : 51 x 306 x 546  
 Dimensions of the packed product (HxWxD) (mm) : 126 x 370 x 573  
 Net weight (kg) : 7.838  
 Gross weight (kg) : 8.0  
 Residual heat indicator : Separate  
 Location of control panel : Hob front  
 Basic surface material : Ceramic  
 Color of surface : Black, Stainless steel  
 Color of frame : Stainless steel  
 Approval certificates : AENOR, CE  
 Length of electrical supply cord (cm) : 110  
 EAN code : 4242004189312  
 Electrical connection rating (W) : 3700  
 Voltage (V) : 220-240  
 Frequency (Hz) : 60; 50

#### Optional accessories

Z9410X1	Stainless Steel roaster with glas lid
Z9415X1	Steaming Rack for Stainless Steel roaste
Z9416X2	Griddle Plate
Z9417X2	Teppan Yaki (large)
Z9442X0	Set of 3 pots and 1 pan



*N 70, Flex induction cooktop, 30 cm*  
*N53TD40N0*

## Features

### Control

- TouchControl

### Flexibility

- Flex Induction
- 2 zone induction hob

### Special features

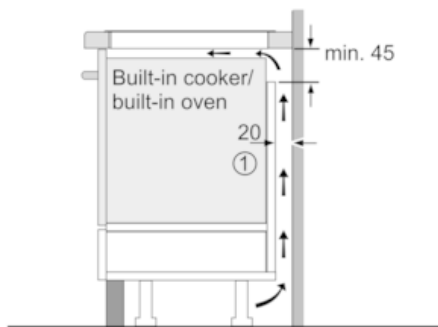
- Boost setting for all zones
- Variable 17-stage power settings for each zone
- Digital display of cooking levels
- 2 stage residual heat indicators
- Timer with automatic shut off for all zones  
LED timer for each zone with switch off function and acoustic signal  
Count up timer
- ReStart function
- Automatic pan recognition  
4.6kW power output (20A); current management options for 16A, 13A or 10A connection  
Safety cut out facility  
Control panel lock  
Control panel suspension
- Energy consumption display

### Technical information

- Cooking Zones: 1 x Ø 400 mmx210 mm, 3.3 KW (max. Power levels 3.7 KW) Induction or 2 x Ø 210 mm, 2.2 KW (max. Power levels 3.7 KW) Induction
- Measurement: (H/B/T) 51 x 306 x 546 mm
- Installation dimensions: (ID/W/D) 51 mm x 270 mm x 490 mm
- 30 cm width
- Length wire connection: 110 cm
- Main switch
- Min. worktop thickness: 30 mm
- Output 3700 W
- connected directly

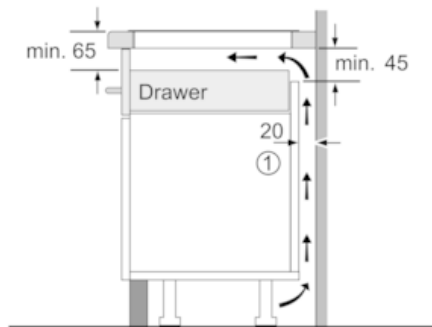
N 70, Flex induction cooktop, 30 cm  
N53TD40N0

Dimensioned drawings



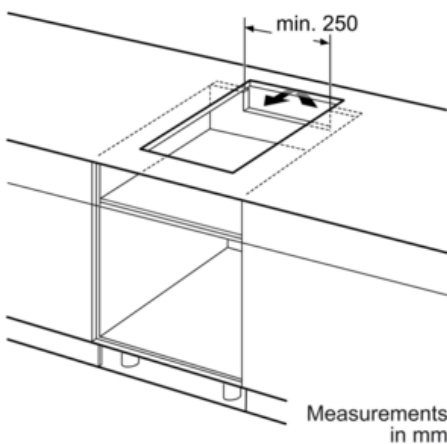
① Ventilation gap must be present

All measurements in mm

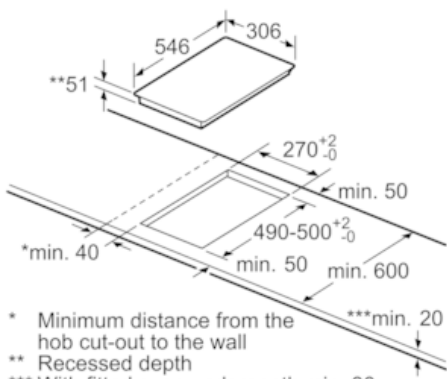


① Ventilation gap must be present.

Measurements in mm



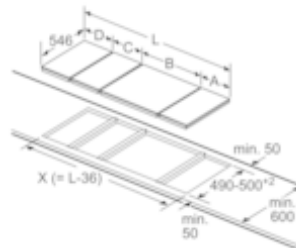
Measurements in mm



\* Minimum distance from the hob cut-out to the wall  
\*\* Recessed depth  
\*\*\* With fitted oven underneath min. 30, possibly more; see space requirements for the oven

measurements in mm

Domino combination options with corresponding appliance and cut-out dimensions (see table)



When installing several elements side by side, general assembly kits Domino combination options with are also required (r 9014X01) corresponding appliance and cut-out dimensions  
Cut-out dimensions (X) depending on the combination, see table.

Width type: 30 40 60 70 80 90  
Appliance width: 306 396 606 708 826 918

	A	B	C	D	L	X
2x30	306	306	-	-	612	576
1x30, 1x40	306	396	-	-	702	666
1x30, 1x60	306	606	-	-	912	876
1x30, 1x70*	306	708	-	-	1014	978
1x30, 1x80	306	826	-	-	1132	1096
1x30, 1x90	306	918	-	-	1224	1188
2x40	396	396	-	-	792	756
1x40, 1x60	396	606	-	-	1002	966
1x40, 1x70*	396	708	-	-	1104	1068
1x40, 1x80	396	826	-	-	1222	1186
1x40, 1x90	396	918	-	-	1314	1278
3x30	306	306	306	-	918	882
2x30, 1x40	306	306	396	-	1008	972
2x30, 1x60	306	306	606	-	1218	1182
2x30, 1x70*	306	306	708	-	1320	1284
2x30, 1x80	306	306	826	-	1438	1402
2x30, 1x90	306	306	918	-	1530	1494
1x30, 2x40	306	396	396	-	1098	1062
1x30, 1x40, 1x60	306	396	606	-	1308	1272
1x30, 1x40, 1x80	306	396	826	-	1528	1492
1x30, 1x40, 1x90	306	396	918	-	1620	1584
3x40	396	396	396	-	1188	1152
2x40, 1x60	396	396	606	-	1398	1362
1x30, 1x40, 1x70*	306	396	708	-	1410	1374
4x30	306	306	306	306	1224	1188
3x30, 1x40	306	306	306	396	1314	1278
2x30, 2x40	306	306	396	396	1404	1368
1x30, 3x40	306	396	396	396	1494	1458

\* Not possible with 70 cm induction hob.