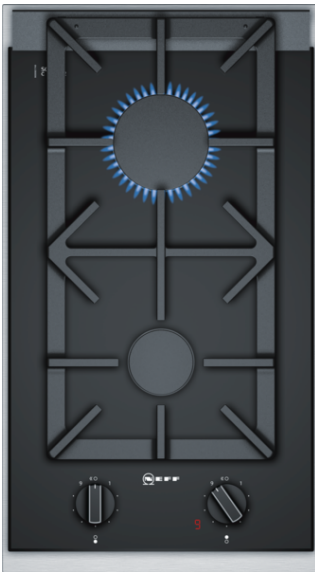


N 90, Domino gas wok, 30 cm  
N23TA29N0



COOKING PASSION SINCE 1877



The gas hob with heat-resistant ceramic glass surface and adjustable FlameSelect control.

- ✓ FlameSelect - Thanks to the clever control of gas flow, the flame can be precisely adjusted in 9 steps. Always the same reliable and precise power levels for outstanding cooking convenience.
- ✓ 7-segment display with residual heat indicator - Provides a digital display of the power level selected for a particular cooking zone. After the hob is turned off, the indicator informs you of the cooking zone's residual heat.
- ✓ Extremely easy-to-clean ceramic glass surface
- ✓ Continuous cast-iron pan supports for maximum stability and cooking convenience.
- ✓ Design co-ordinated control dials - easy to operate in an attractive design.

#### Features

##### Technical Data

Product name/family : Vario/Domino gas hob w control

Built-in / Free-standing : CONSTR\_TYPE.Built-in

Energy input : Gas

Total number of positions that can be used at the same time : 2

Required niche size for installation (HxWxD) : 45 x 270 x 490-500

Width of the product (mm) : 306

Dimensions of the product (mm) : 45 x 306 x 546

Dimensions of the packed product (HxWxD) (mm) : 185 x 397 x 646

Net weight (kg) : 6.943

Gross weight (kg) : 8.0

Residual heat indicator : Separate

Location of control panel : Hob front

Basic surface material : Ceramic

Color of surface : Black, Stainless steel

Color of frame : Black, Stainless steel

Approval certificates : CE, Eurasian

Length of electrical supply cord (cm) : 100

EAN code : 4242004203292

Electrical connection rating (W) : 2

Gas connection rating (W) : 4700

Current (A) : 3

Voltage (V) : 220-240

Frequency (Hz) : 60; 50

#### Optional accessories

Z9914X0 Connecting strip



4 242004 203292

N 90, Domino gas wok, 30 cm  
N23TA29N0

## Features

### Design

- black ceramic glass
- Stainless steel frame
- Domino

### Special features

- FlameSelect with 9 steps
- LED display for each zone
- Design co-ordinated control dials
- Ignition via control dials
- black cast iron pan supports with protective rubber feet

### Power and size:

- 2 burner hob
- Center rear: 2.8 KW
- Center front: Standard burner 1.9 KW

### Safety Features

- Flame failure safety device
- 2 stage residual heat indicator
- Factory set for connection to mains gas

### Technical information

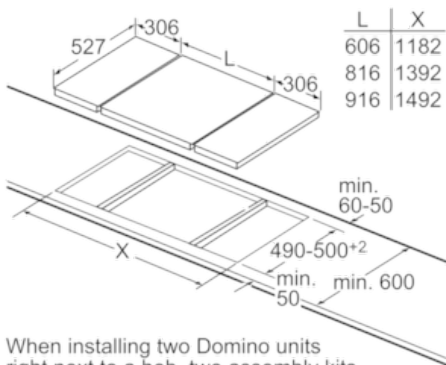
- Power cord length 100 cm

### Accessories

- LPG jets (28-30/37mbar) included

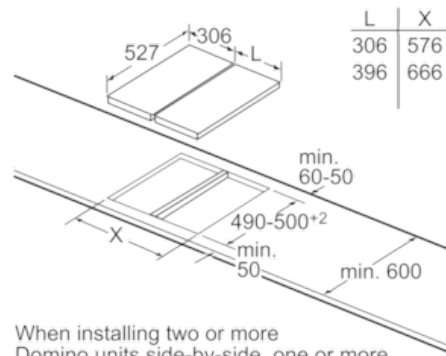
N 90, Domino gas wok, 30 cm  
N23TA29N0

Dimensioned drawings



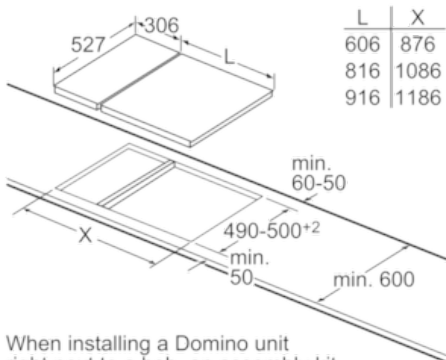
When installing two Domino units right next to a hob, two assembly kits (HEZ394301) are required.

Measurements in mm



When installing two or more Domino units side-by-side, one or more assembly kits are required (2 units = 1 assembly kit, 3 units = 2 assembly kits, etc).

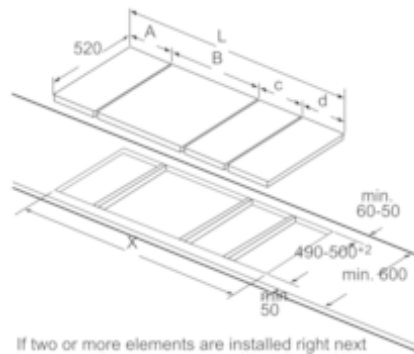
Measurements in mm



When installing a Domino unit right next to a hob, an assembly kit (HEZ394301) is required.

Measurements in mm

Picture for the table Domino combination possibilities with corresponding devices and cutout dimensions



If two or more elements are installed right next to one another, one or several installation kits are required (2 elements 1 installation kit, 3 elements 2 installation kits, etc.).

measurements in mm  
Domino combination options with corresponding appliance and cut-out dimensions

Width category:  
Appliance width: is in mm

	A	B	C	D	L	X
2x30	306	306	-	-	612	576
1x30, 1x40	306	396	-	-	702	666
1x30, 1x60	306	606	-	-	912	876
1x30, 1x70*	306	710	-	-	1016	980
1x30, 1x80	306	816	-	-	1122	1086
1x30, 1x90	306	916	-	-	1222	1186
2x40	396	396	-	-	792	756
1x40, 1x60	396	606	-	-	1002	966
1x40, 1x70*	396	710	-	-	1106	1070
1x40, 1x80	396	816	-	-	1212	1176
1x40, 1x90	396	916	-	-	1312	1276
3x30	306	306	306	-	918	882
2x30, 1x40	306	306	396	-	1008	972
2x30, 1x60	306	306	606	-	1218	1182
2x30, 1x70*	306	306	710	-	1322	1286
2x30, 1x80	306	306	816	-	1428	1392
2x30, 1x90	306	306	916	-	1528	1492
1x30, 2x40	306	396	396	-	1098	1062
1x30, 1x40, 1x60	306	396	606	-	1308	1272
1x30, 1x40, 1x70*	306	396	710	-	1412	1376
1x30, 1x40, 1x80	306	396	816	-	1518	1482
1x30, 1x40, 1x90	306	396	916	-	1618	1582
2x40, 1x60	396	396	606	-	1398	1362
4x30	306	306	306	306	1224	1188
3x30, 1x40	306	306	306	396	1314	1278
1x30, 1x75	306	750	-	-	1056	1020
1x40, 1x75	396	750	-	-	1146	1110
2x30, 1x75	306	306	750	-	1362	1326
1x30, 1x40, 1x75	306	396	750	-	1452	1416

\* Not possible with 70 cm induction hob

N 90, Domino gas wok, 30 cm  
 N23TA29N0

Dimensioned drawings

