

N 50, Built-in warming drawer, 29 cm  
N1AHA02NOB



COOKING PASSION SINCE 1877



A warming drawer designed to be combined with a compatible 60cm high single oven to fit neatly into a standard double oven niche

- ✓ Push & pull – simply give the handleless warming drawer a gentle push to open
- ✓ Stepless temperature control - The warming drawer makes choosing easy with our stepless temperature control from 40°-80°C.
- ✓ Range of applications - Warm your cookwear or utensils and keep your dishes hot and ready.
- ✓ Installation - The warming drawer can be installed separately or combined with your 45 cm compact appliance.



#### Features

##### Technical Data

Construction type : Built-in  
Color / Material Front : Stainless steel  
Maximum number of plates : 30  
Maximum number of espresso cups : 128  
Dimensions of the product (mm) : 290 x 594 x 540  
Dimensions of the packed product (HxWxD) (mm) : 210 x 660 x 660  
Required niche size for installation (HxWxD) : 290 x 560 x 550  
EAN code : 4242004222507  
Electrical connection rating (W) : 400  
Current (A) : 6  
Voltage (V) : 220-240  
Frequency (Hz) : 50; 60  
Plug type : GB plug



4 242004 222507

*N 50, Built-in warming drawer, 29 cm*  
N1AHA02NOB

## Features

### Design

- Push-Pull opening mechanism

### Programmes/functions

- Cavity volume: 58 l
- Loading up to 15 kg
- Can accommodate up to:
  - 30 plates
  - 128 espresso cups
- 4 Functions: keeping drinks and food warm, pre-warming of tableware, yeast dough proving, thawing of delicate foods
- Temperature Range: approx. 40 °C to 80 °C
- On/Off button

### Accessories

- 1 x Anti-slip mat

### Technical information

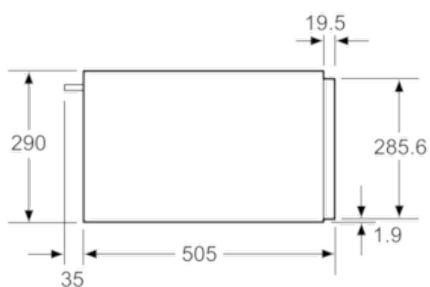
- Length of mains cable: 150 cm
- Total connected load electric: 0.4 KW
- Nominal voltage: 220 - 240 V

### Performance/technical information

- Appliance dimension (hxwxh): 290 mm x 594 mm x 540 mm
- Niche dimension (hxwxh): 290 mm x 560 mm - 568 mm x 550 mm
- Please refer to the dimensions provided in the installation manual

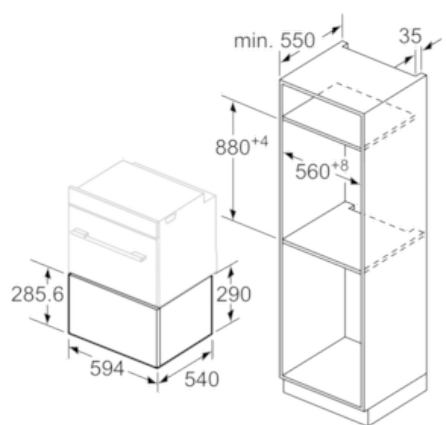
N 50, Built-in warming drawer, 29 cm  
N1AHA02NOB

Dimensioned drawings



Ovens with an appliance height of 595 mm can be installed above a warming drawer. An intermediate floor is not required.

measurements in mm



measurements in mm