

N 50, Built-in double oven, Stainless steel
J1ACE4HN0B



COOKING PASSION SINCE 1877



B



Built-in oven with CircoTherm® - The award-winning hot air system from Neff

Built under double oven - twice as flexible, twice as fast - bake or roast multiple dishes at the same time.

- ✓ CircoTherm® - the unique hot air-system for simultaneous baking and roasting on up to 3 levels
- ✓ EasyClean® - this special cleaning aid provides uncomplicated, energy-saving cleaning of the oven interior.
- ✓ An environment-saving option for fast oven cleaning.
- ✓ Clip-on Rail - easily removed and installed telescopic rails for flexible use on all shelf levels

Features

Technical Data

Color / Material Front : Stainless steel
 Construction type : Built-in
 Integrated Cleaning system : No
 Dimensions of the product (mm) : 717 x 594 x 550
 Dimensions of the packed product (HxWxD) (mm) : 790 x 690 x 660
 Control Panel Material : Glass
 Door Material : Glass
 Net weight (kg) : 47.472
 Usable volume of cavity (l) : 47
 Cooking method : Bottom heat, Conventional heat, Full width grill, Hot Air, Hotair gentle, Hot air grilling, Pizza setting
 Temperature control : No control of the temperature
 Number of interior lights : 1
 Approval certificates : CE, VDE
 EAN code : 4242004222002
 Energy efficiency class (2010/30/EC) : A
 Energy consumption per cycle conventional (2010/30/EC) : 0.84
 Energy consumption per cycle forced air convection (2010/30/EC) : 0.71
 Energy efficiency class (2010/30/EC) - cavity 2 : B
 Energy consumption per cycle conventional - cavity 2 (2010/30/EC) : 0.83
 Energy efficiency index (2010/30/EC) : 94.7
 Energy efficiency index cavity 2 (2010/30/EC) : 120.3
 Electrical connection rating (W) : 5300
 Current (A) : 25
 Voltage (V) : 220-240
 Frequency (Hz) : 50
 Plug type : fixed connection, no plug

Included accessories

2 x combination grid, 1 x universal pan

Optional accessories

Z11AB15A0 Baking tray, non-stick ceramic coated
 Z11CB10E0 Baking tray, grey enamelled
 Z11CR10X0 Baking and roasting grid (standard)
 Z11GT10X3 Glass roasting dish, 5,4l
 Z11TI15X0 Cliprails



4 242004 222002

N 50, Built-in double oven, Stainless steel

J1ACE4HNOB

Features

Design

- Retractable control dials, Bevelled oval controls
- Bar handle

Main Lower oven

- Oven capacity: 47 litre
- 1 Clip rail, Stop function
- Heating up indicator
- Smooth cavity interior, Shelf support rails
- Cavity (inner surface) bottom: Enamel grey
- Interior halogen light

Programmes/functions

- Manual rapid heating up

Cleaning

- EcoClean Direct : back panel
- EasyClean
- Full glass inner door

Secondary top oven

- Cavity volume: 34 Litre
- Interior halogen light
- Cavity (inner surface) top: Enamel grey

Programmes/functions

- Oven with 4 heating methods: Top/bottom heat, Full surface grill, Small area grill, Bottom heat

Cleaning

- EcoClean Direct :ceiling, side liners, back panel

Standard accessories

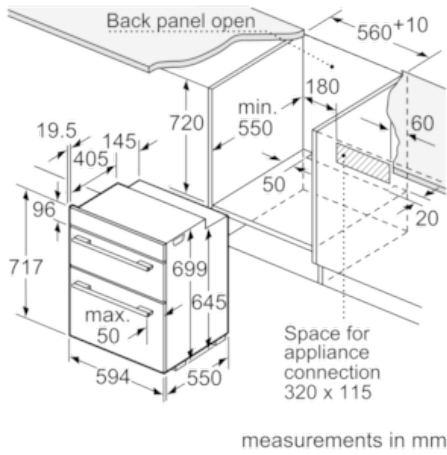
- 2 x combination grid, 1 x universal pan
- 1 Clip rail, Stop function

Performance/technical information

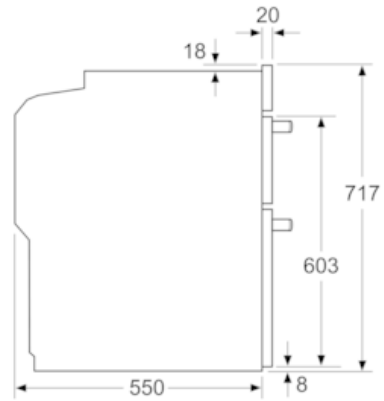
- Energy efficiency rating (acc. EU Nr. 65/2014): B
Energy consumption per cycle conventional mode: 0.83 kwh
Number of cavities: Top Cavity
Heat source: electrical
Cavity volume: 34 Litre
- Nominal voltage: 220 - 240 V
- Appliance dimension (hwxwd): 717 mm x 594 mm x 550 mm
- Please refer to the dimensions provided in the installation manual

N 50, Built-in double oven, Stainless steel
J1ACE4HNOB

Dimensioned drawings



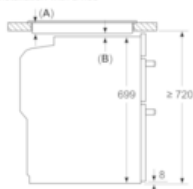
measurements in mm



measurements in mm
If the appliance will be installed underneath a hob, the following worktop thicknesses (including substructure if necessary) must be taken into account.

Hob type	min. worktop thickness	
	fitted	flush
Induction hob	39	40
Full-surface induction hob	49	50
Gas hob	29	40
Electric hob	29	32

measurements in mm
installation with a hob



A: Recessed depth 29-50 mm.
See hob dimensional drawing.
B: Min. distance:
Induction hob: 5 mm
Gas hob: 5 mm
Electric hob: 2 mm