

N 50, Built-in microwave oven, White
HLAWD53W0B

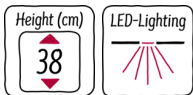


COOKING PASSION SINCE 1877



A must for any household - a built-in microwave designed to coordinate with N50 ovens

- ✓ Automatic programmes - Your kitchen helper with just the right default settings.
- ✓ 900 Watt - In case time is an issue - go ahead with the 900 Watt power of your microwave.
- ✓ LED lights - Bright illumination exactly where you need it.
- ✓ 1-touch buttons - Intuitive control - Quickly and easily select the required options using the touch key controls
- ✓ Side-opening hinged door - A smart twist for the elevated installation.



Features

Technical Data

Type of micro-wave oven : MW only
Type of control : Electronic
Color / Material Front : White
Dimensions of the product (mm) : 382 x 594 x 388
Cavity dimensions (mm) : 208.0 x 328.0 x 369.0
Length of electrical supply cord (cm) : 130
Net weight (kg) : 17.513
Gross weight (kg) : 20.0
EAN code : 4242004225836
Maximum micro-wave power (W) : 900
Connection rating (W) : 1450
Current (A) : 10
Voltage (V) : 230-240
Frequency (Hz) : 50
Plug type : GB plug



4 242004 225836

N 50, Built-in microwave oven, White

HLAWD53W0B

Features

Design

- Retractable control dials, Start button, Touch control, Bevelled oval controls
- LED display, white
- electronic clock
- Left hinged door
- Open Button, electronic
- Cavity inner surface: Stainless steel
- 31.5 cm Glass turntable

Features

- Automatic safety switch off
Door contact switch
- Memory function
- automatic programmes: 7
- LED light
- Cooling fan
- Memory function
- 31.5 cm Glass turntable

Programmes/functions

- Additional heating methods with microwave: Microwave
- Max. Power: 900 W; 5 Microwave power settings (90 W, 180 W, 360 W, 600 W, 900 W)
- automatic programmes: 7
- 4 defrost and 3 cooking programmes in microwave function

Standard accessories

- 1 x Turntable

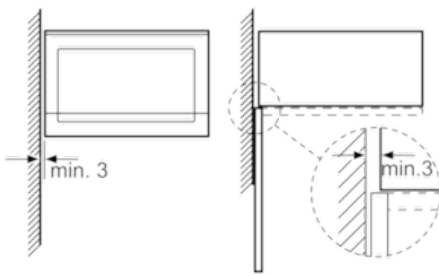
Technical information

- Cavity volume: 25 l
- Length of mains cable: 130 cm
- Total connected load electric: 1.45 KW
- Nominal voltage: 230 - 240 V
- Appliance dimension (hxwxh): 382 mm x 594 mm x 388 mm
- Niche dimension (hxwxh): 380 mm - 382 mm x 560 mm - 568 mm x 550 mm
- Please refer to the dimensions provided in the installation manual

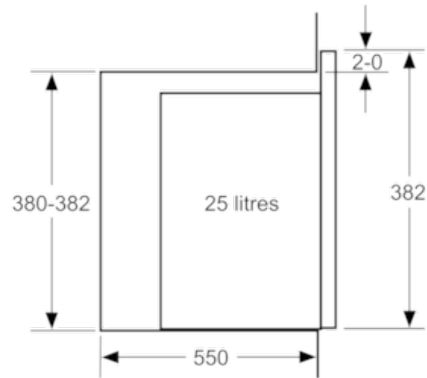
N 50, Built-in microwave oven, White
HLAWD53W0B

Dimensioned drawings

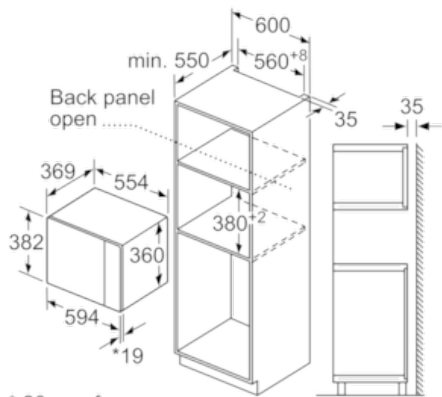
Microwave,
corner installation



Measurements in mm

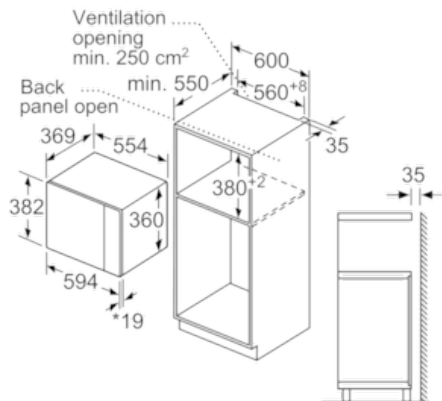


measurements in mm



* 20 mm for metal fascia

measurements in mm



* 20 mm for metal fascia

measurements in mm