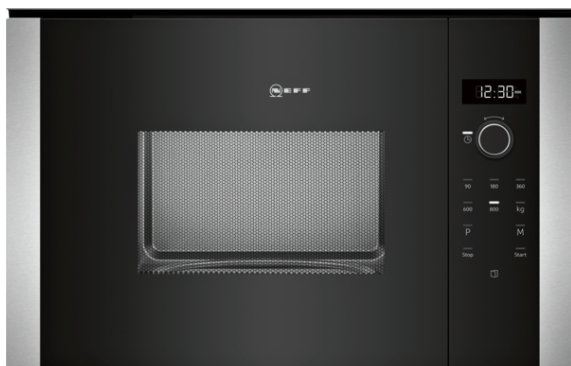


N 50, Built-in microwave oven, Black
HLAWD23N0B



COOKING PASSION SINCE 1877



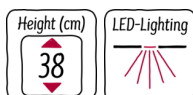
A must for any household - a built-in microwave designed to coordinate with N50 ovens

- ✓ Automatic programmes - Your kitchen helper with just the right default settings.
- ✓ 800 Watt - In case time is an issue - go ahead with the 800 Watt power of your microwave.
- ✓ LED lights - Bright illumination exactly where you need it.
- ✓ 1-touch buttons - Intuitive control - Quickly and easily select the required options using the touch key controls
- ✓ Side-opening hinged door - A smart twist for the elevated installation.

Features

Technical Data

Type of micro-wave oven : MW only
Type of control : Electronic
Color / Material Front : Black
Dimensions of the product (mm) : 382 x 594 x 317
Cavity dimensions (mm) : 201.0 x 308.0 x 282.0
Length of electrical supply cord (cm) : 130
Net weight (kg) : 16.208
Gross weight (kg) : 18.0
EAN code : 4242004222774
Maximum micro-wave power (W) : 800
Connection rating (W) : 1270
Current (A) : 10
Voltage (V) : 230-240
Frequency (Hz) : 50
Plug type : GB plug



4 242004 222774

N 50, Built-in microwave oven, Black

HLAWD23NOB

Features

Design

- Retractable control dials, Start button, Touch control, Bevelled oval controls
- LED display, white
- electronic clock
- Left hinged door
- Open Button, electronic
- Cavity inner surface: Stainless steel
- 25.5 cm Glass turntable

Features

- Automatic safety switch off
Door contact switch
- Memory function
- automatic programmes: 7
- LED light
- Cooling fan
- Memory function
- 25.5 cm Glass turntable

Programmes/functions

- Additional heating methods with microwave: Microwave
- Max. Power: 800 W; 5 Microwave power settings (90 W, 180 W, 360 W, 600 W, 800 W)
- automatic programmes: 7
- 4 defrost and 3 cooking programmes in microwave function

Standard accessories

- 1 x Turntable

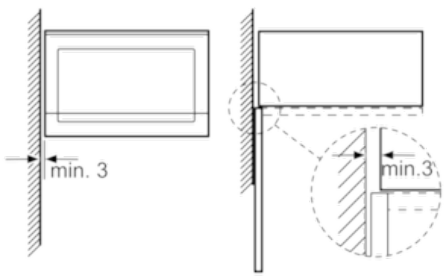
Technical information

- Cavity volume: 20 l
- Frameless installation recommended for wall units, but also suitable for tall housing
- Length of mains cable: 130 cm
- Total connected load electric: 1.27 KW
- Nominal voltage: 230 - 240 V
- Appliance dimension (hxwx): 382 mm x 594 mm x 317 mm
- Niche dimension (hxwx): 362 mm - 365 mm x 560 mm - 568 mm x 300 mm
- Please refer to the dimensions provided in the installation manual

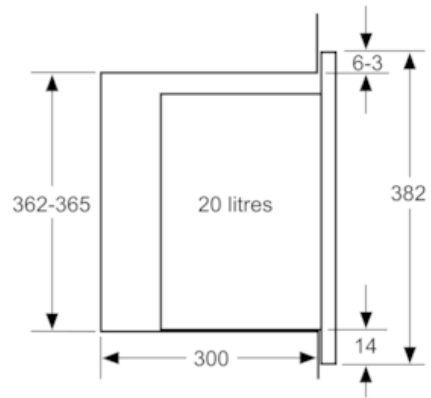
N 50, Built-in microwave oven, Black
HLAWD23NOB

Dimensioned drawings

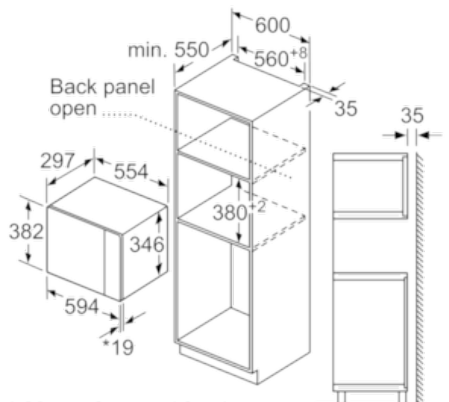
Microwave, corner installation



Measurements in mm

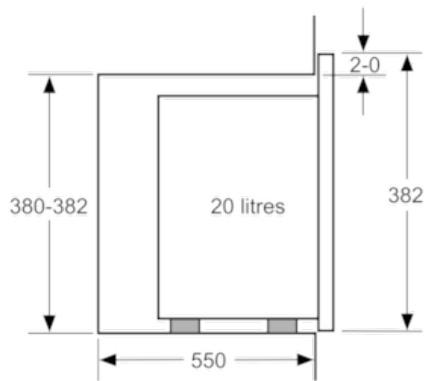


measurements in mm



* 20 mm for metal fascia

measurements in mm



measurements in mm